



Exedra

SALICE

Exedra

Pocket door system with cam-assisted door extraction and cushioned door insertion.

Doors characteristics

Max. weight for each door: 30 kg (distributed evenly) or 40 kg for doors with 5 hinges and max. width 700mm.

Thickness from 18 mm to 30 mm.

Width from 400 mm to 900 mm.

Height from 1575 mm to 2500 mm as standard.

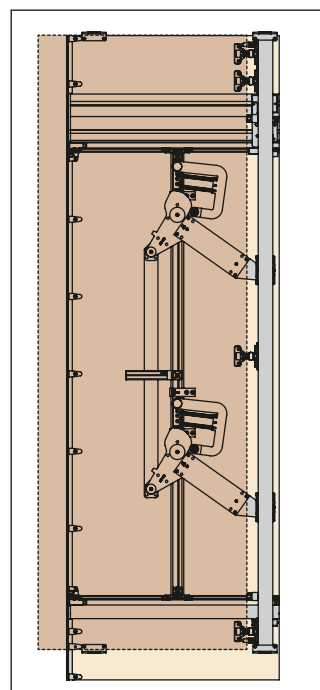
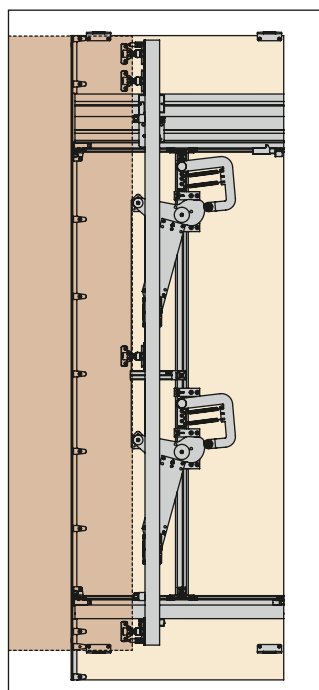
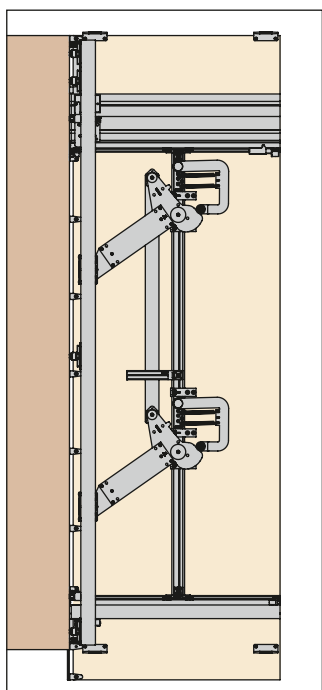
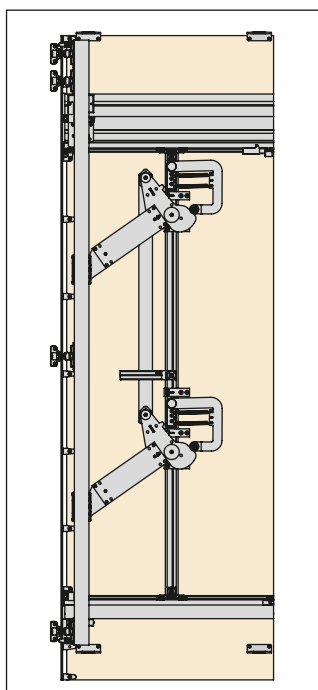
Height from 1303 mm to 1575 mm and from 2501 mm to 2800 mm can be considered after discussion and verification from our technical support department.

Door adjustment:

- vertical adjustment +4/-1 mm;
- horizontal adjustment ± 2 mm;
- front adjustment ± 4 mm.



Mechanism movement as the door leaves the recess.



1 Cam-assisted door insertion and extraction movement.

2 Magnetic buffer for soft insertion.

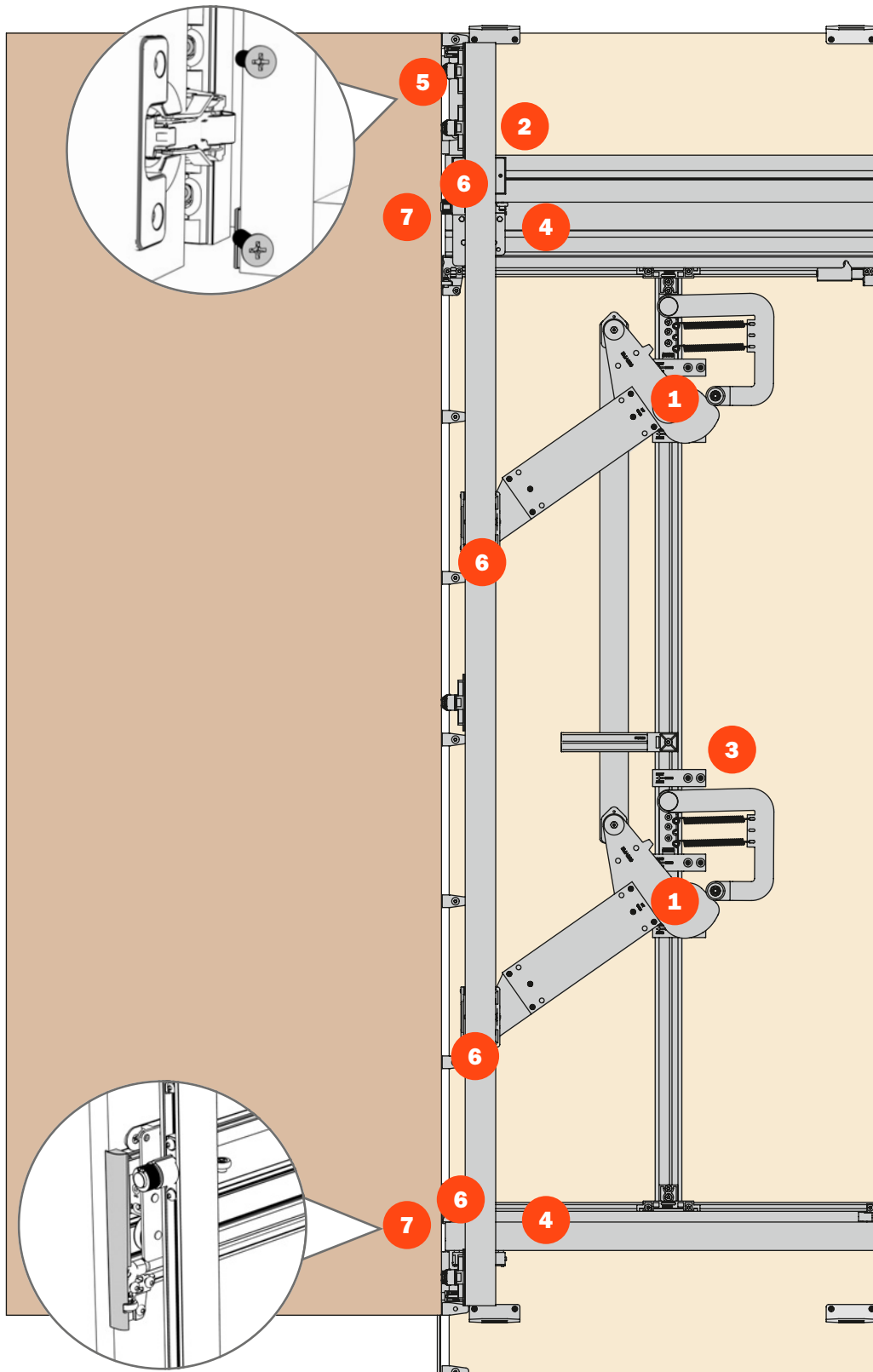
3 Slide-in installation to facilitate installation and removal of the mechanism from the front.

4 Sliding carriage.

5 Quick coupling hinges.

6 All adjustments are accessible from the front of the cabinet.

7 Profile cover caps (included in the standard versions).



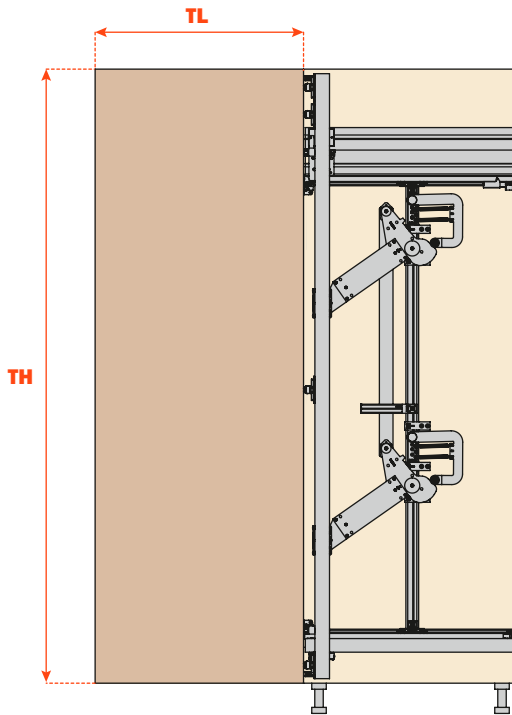
Exedra - Calculation for door protrusion from front of cabinet

Abbreviations

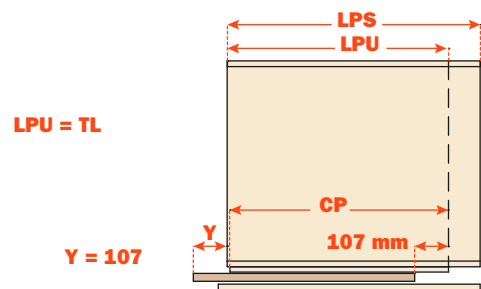
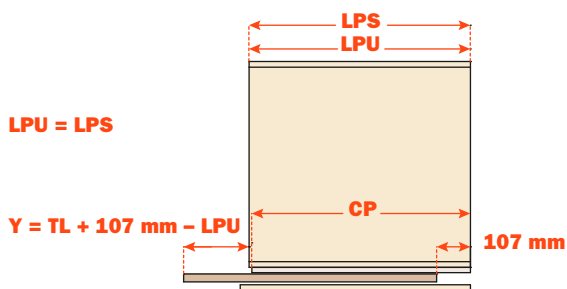
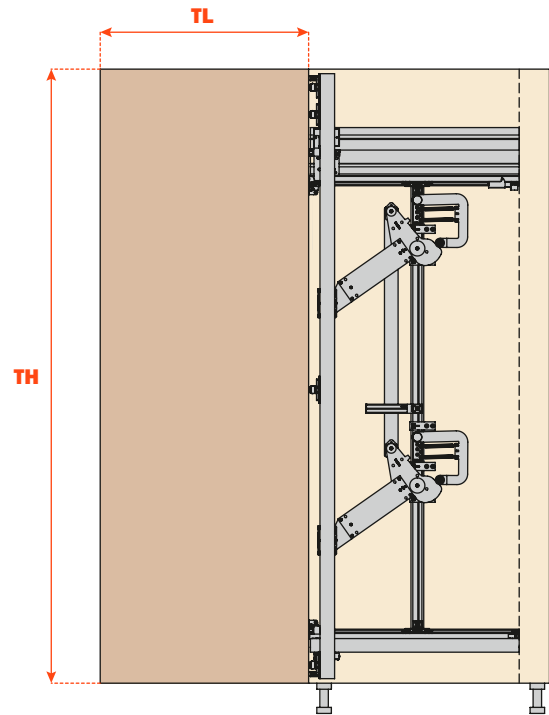
LPS Total external depth of the cabinet
LPU Usable external depth of the cabinet
TL Door width

TH Door height
CP Profile length
Y Door protrusion

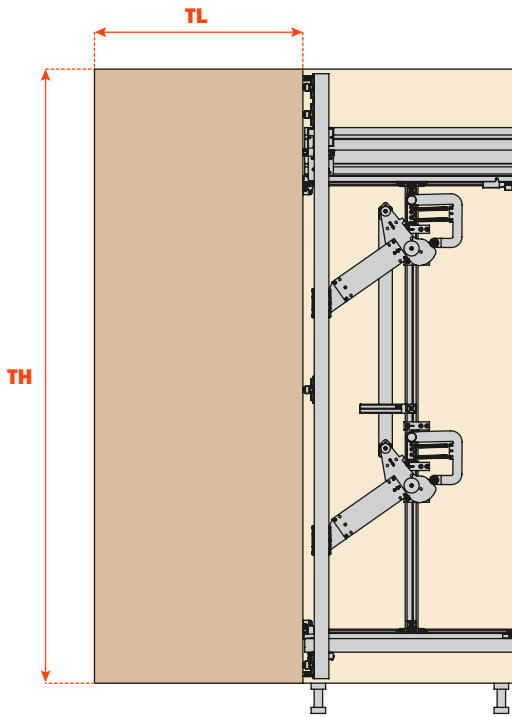
LPS < TL



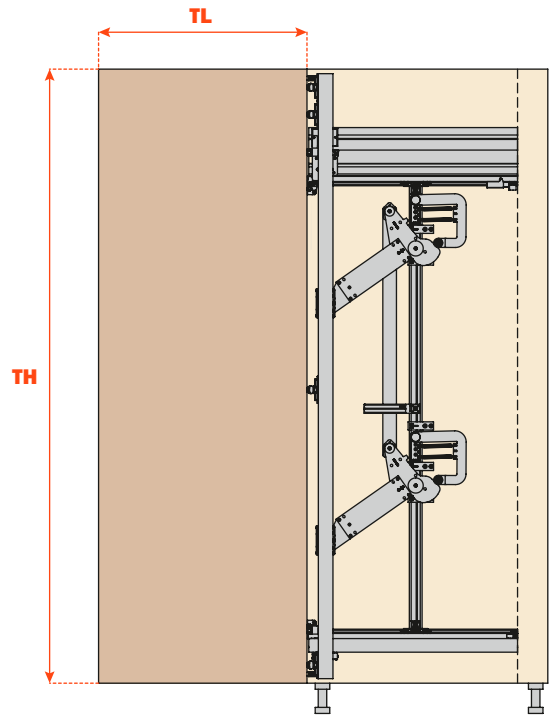
LPS ≥ TL



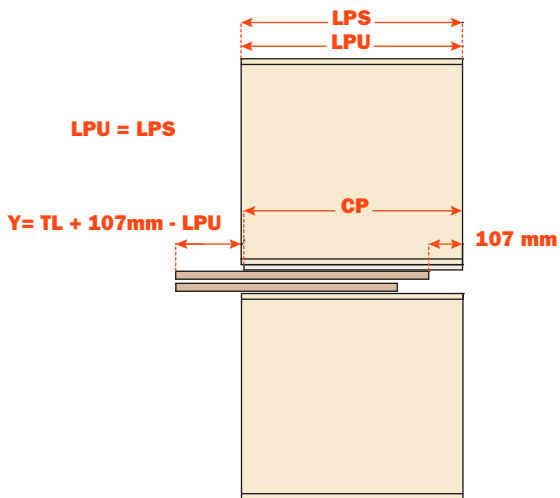
LPS < TL



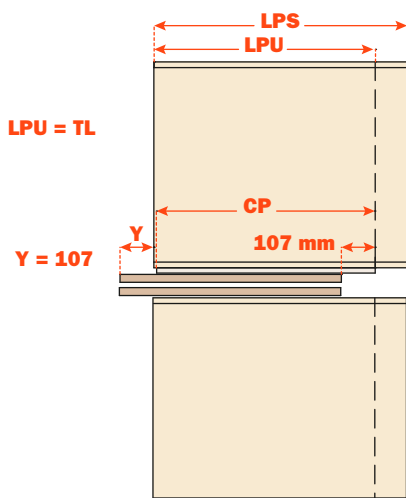
LPS ≥ TL

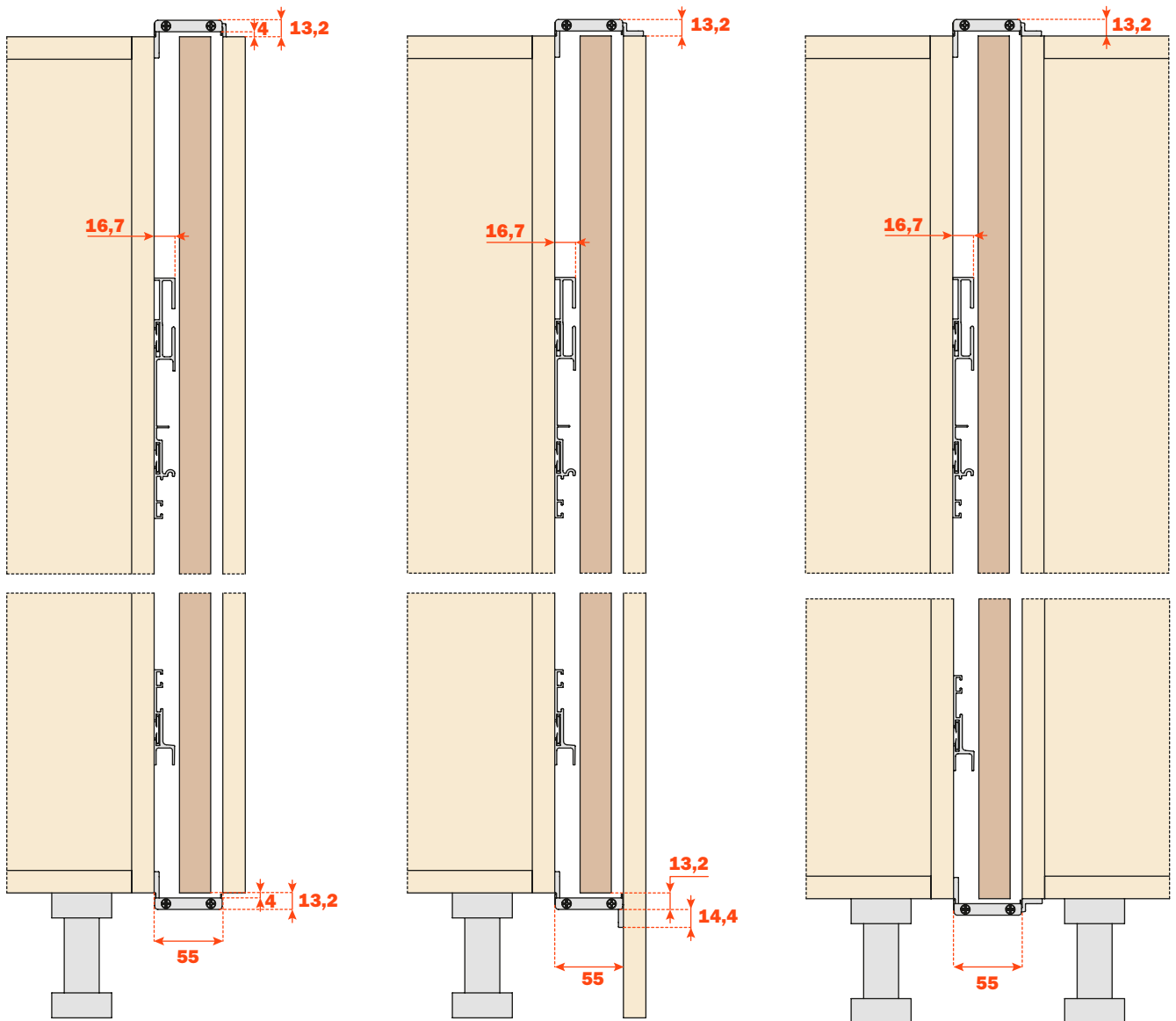


LPU = LPS

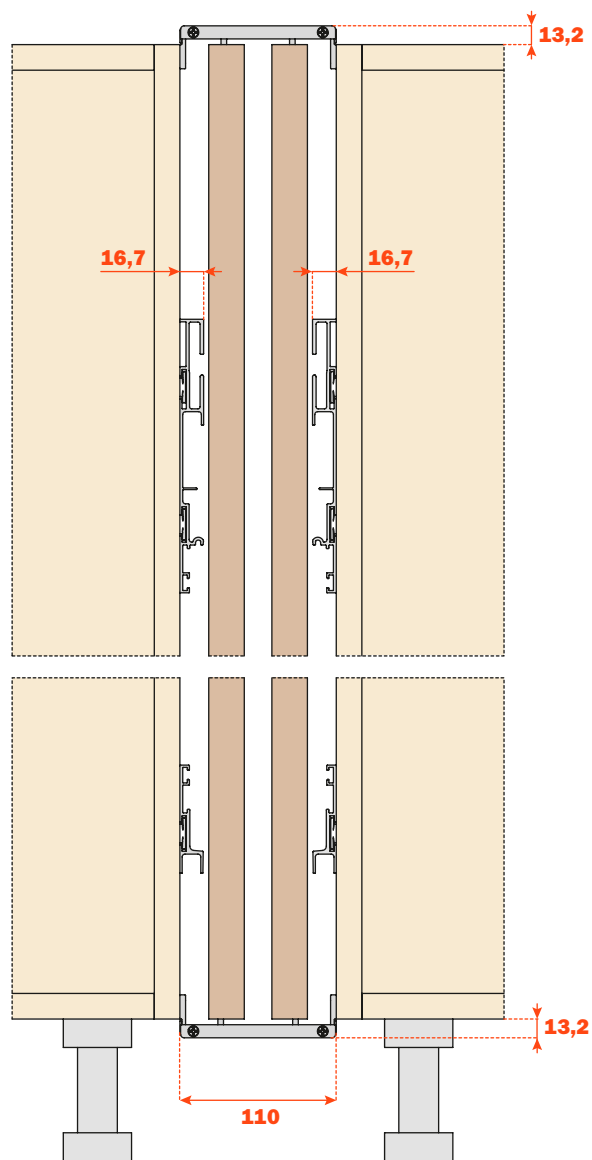
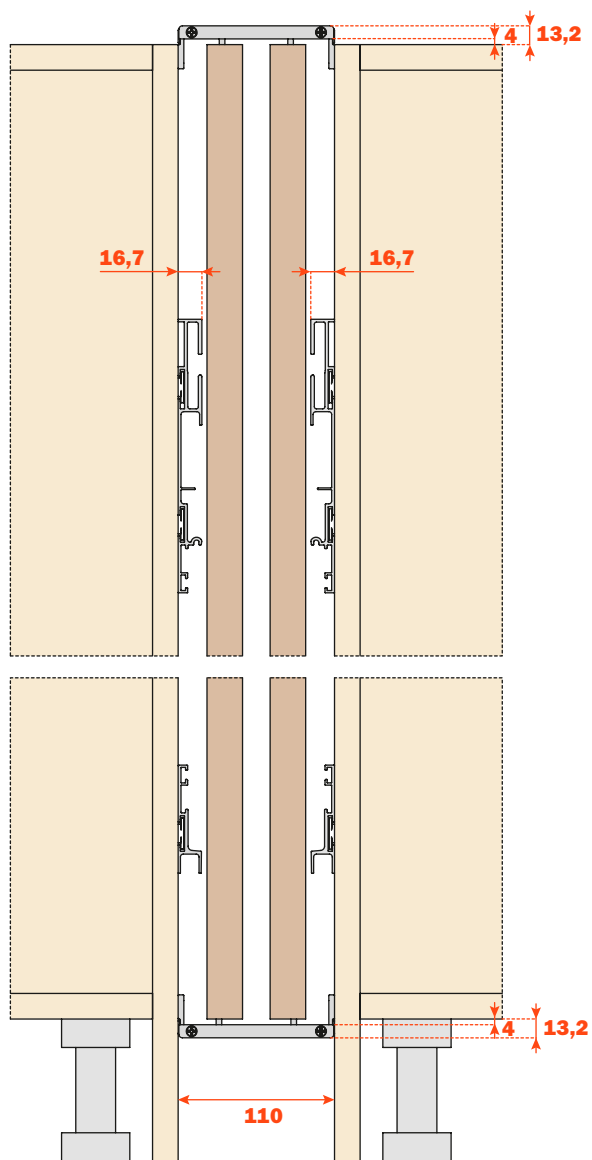


LPU = TL

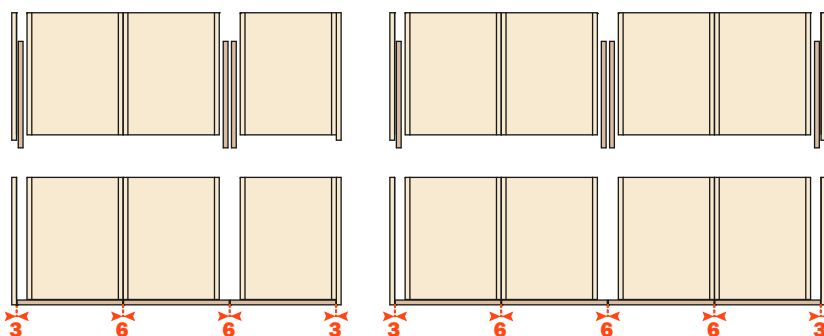
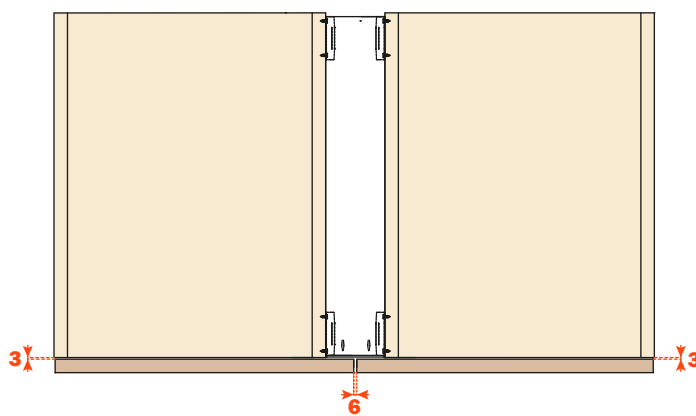
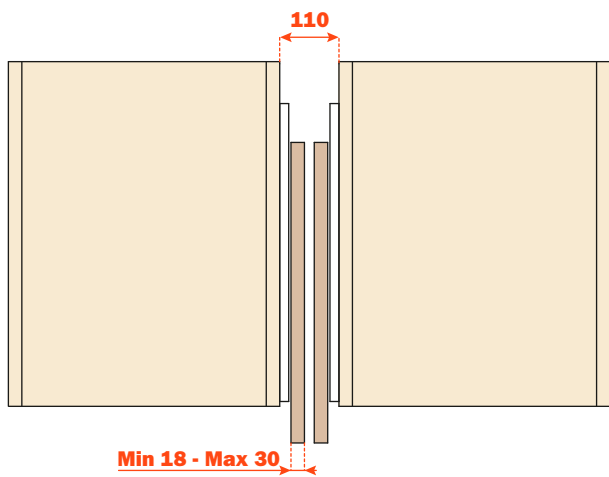
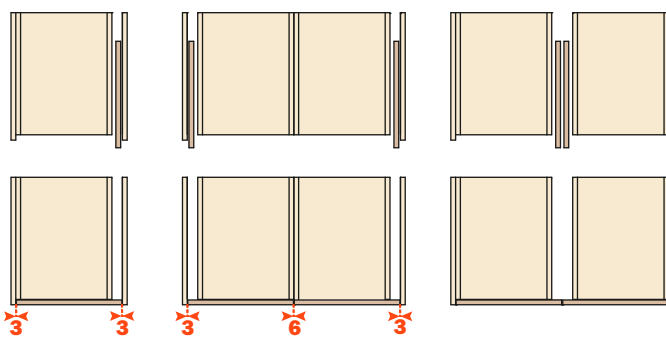
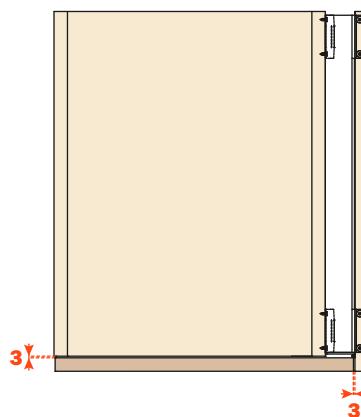
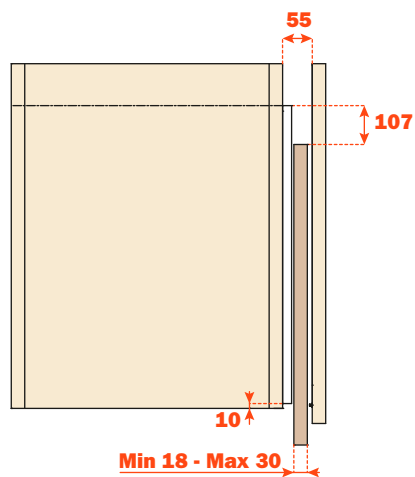


Exedra - Types of assembly - 1 door

Types of assembly - 2 doors



Exedra

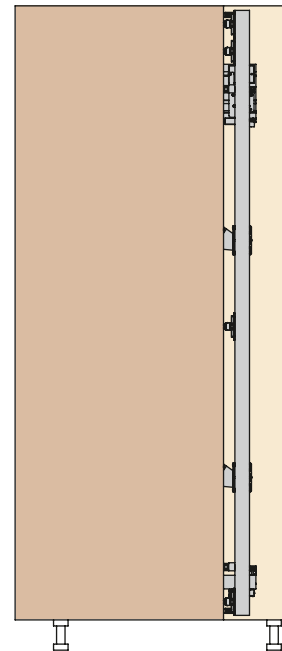
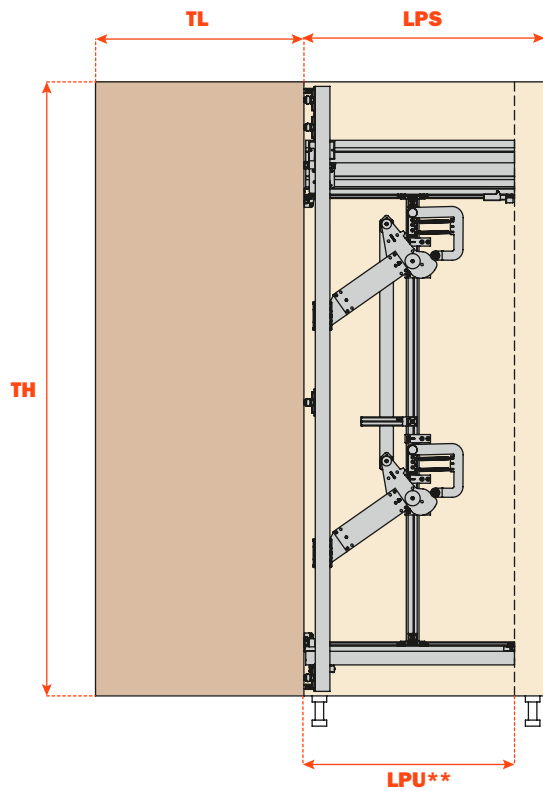


Calculating the LPU value - Selecting the CAM connectors

LPS (Cabinet depth) ≥ TL



LPU (Usable cabinet depth) = TL



		LPU** (mm)											
		370-400		401-500		501-600		601-700		701-800		801-900	
CAM		VE55KIT0100		VE55KIT0101		VE55KIT0102		VE55KIT0103		VE55KIT0104		VE55KIT0105	
TH (mm)	Min	Max	Min	Max	Min	Max	Min	Max	Min	Max	Min	Max	
		1303	1575										
				1576	1726	1698	1787	1820	1909				
				1727	2121	1788	2182	1910	2243	2032	2304	2154	2365
			2122	2800	2183	2800	2244	2800	2305	2800	2366	2800	

- 2 x max 12 kg
- 3 x max 18 kg
- 4 x max 24 kg
- 5 x max 30/40 kg*

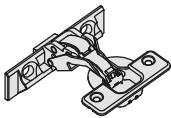
* peso massimo 40 Kg solo con larghezza anta 70 mm max

Exedra - Standard

This solution offers a great deal of flexibility to the customer. The customer cuts the profile sections to their desired length and fixes together its individual components. A cam-carriage connection must be ordered together with the mechanism kit according to the usable structure depth (LPU) and the door height (TH). Refer to the installation manual for the cutting and assembly operations.

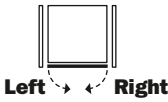
The locating clips and positioning stops ensure a fast and secure assembly and removal from the cabinet without the need to access the side of the cabinet.

Calculation of the min. structure dimensions

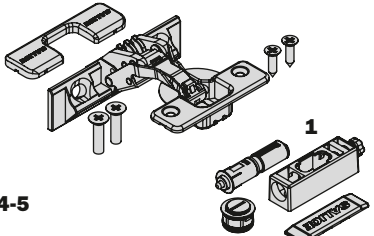
Usable structure depth (LPU - mm)															
Door height TH (mm)	400 - 500		501 - 600		601 - 700		701 - 800		801 - 900						
	Min	Max	Min	Max	Min	Max	Min	Max	Min	Max	Min	Max			
1303	1575												2 x		max 12 kg
		1576	1726	1698	1787	1820	1909						3 x		max 18 kg
		1727	2121	1788	2182	1910	2243	2032	2304	2154	2365		4 x		max 24 kg
		2122	2800	2183	2800	2244	2800	2305	2800	2366	2800		5 x		max 30/40 kg*

* peso massimo 40 kg solo con larghezza massima dell'anta 700mm

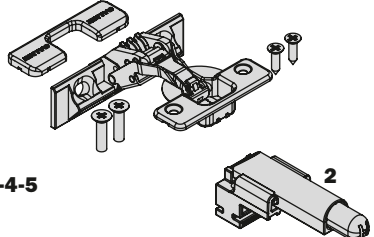
Mechanism kit – STANDARD

Part number		Door height TH (mm)
VE55CAD1900NN	Right	(1303) 1575 - 1900
VE55CAS1900NN	Left	
VE55CAD2500NN	Right	1575 - 2530 (2800)
VE55CAS2500NN	Left	

Push kit

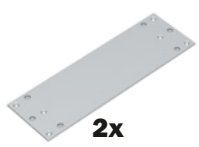
 3-4-5	Part number	Kit composition	Packing
	VE55KITCP010AB	5 Push Hinges + 1 Nichel-plated Release device	6 Boxes
	VE55KITCP010TB	5 Push Hinges + 1 Titanium Release device	6 Boxes
	VE55KITCP020AB	4 Push Hinges + 1 Nichel-plated Release device	6 Boxes
	VE55KITCP020TB	4 Push Hinges + 1 Titanium Release device	6 Boxes
	VE55KITCP030AB	3 Push Hinges + 1 Nichel-plated Release device	6 Boxes
	VE55KITCP030TB	3 Push Hinges + 1 Titanium Release device	6 Boxes

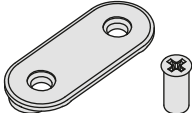
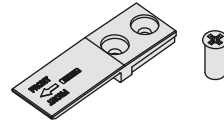
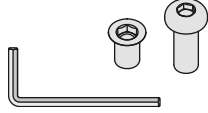
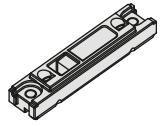
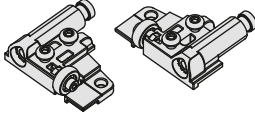
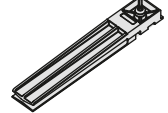
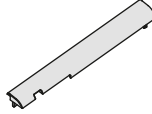
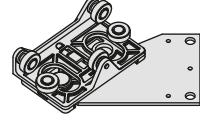
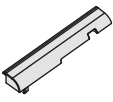
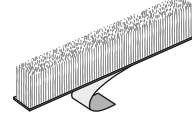

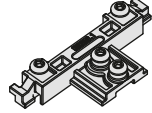
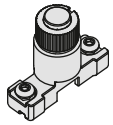
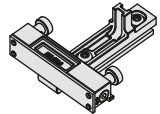
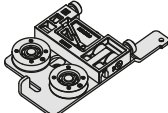

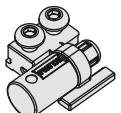
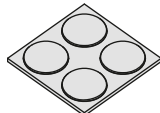
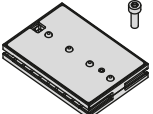

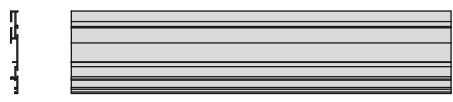
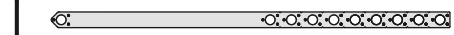

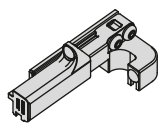

Smove kit

 3-4-5	Part number	Kit composition	Packing
	VE55KITCS010AB	5 CA Hinges + 2 Nichel-plated Smove	6 Boxes
	VE55KITCS010TB	5 CA Hinges + 2 Titanium Smove	6 Boxes
	VE55KITCS020AB	4 CA Hinges + 2 Nichel-plated Smove	6 Boxes
	VE55KITCS020TB	4 CA Hinges + 2 Titanium Smove	6 Boxes
	VE55KITCS030AB	3 CA Hinges + 2 Nichel-plated Smove	6 Boxes
	VE55KITCS030TB	3 CA Hinges + 2 Titanium Smove	6 Boxes

CA = sprung hinge

Cam-carriage connection

 2x	Part number	Usable structure depth (LPU - mm)
	VE55KIT0100	370 - 400
	VE55KIT0101	401 - 500
	VE55KIT0102	501 - 600
	VE55KIT0103	601 - 700
	VE55KIT0104	701 - 800
	VE55KIT0105	801 - 900

	n° 9 Locating clips n° 18 Euroscrews 6.3 x 14		n° 5 Positioning stops n° 10 Screws 6.3 x 14
	n° 2 Threaded inserts M6 x 13 n° 2 Screws M6 20 UNI 7380 n° 1 Allen key		n° 4/5 Mounting plates
	n° 1 + n° 1 Door extraction dampers		n° 1 Mechanism connecting support profile
	n° 1 Upper front cover		n° 2 Vertical carriages
	n° 1 Lower front cover		3 mt Dust protection brush
	n° 2 Spare springs		n° 2 Central profile connectors
	n° 2 Door positioning supports		n° 1 Lower horizontal carriage
	n° 1 Upper horizontal carriage		n° 2 Door extraction and insertion mechanisms
	n° 1 Door insertion stopper		n° 1 Spacers
	n° 1 Magnetic buffer for soft insertion		n° 1 Central profile
	n° 1 Upper track		n° 1 Mechanism profile connecting
	n° 1 Lower track		n° 1 Rear bumper
	n° 1 Door fixing profile		

Exedra - Partially assembled

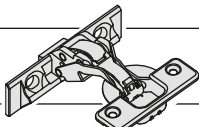
Partially-assembled systems.

The partly-assembled Exedra system can be supplied in two versions: for doors with height from 1930 to 2230 mm or from 2231 to 2530 mm. Depth between 500 and 700 mm. After the identification of the version, the customer must cut to size the upper and the lower tracks, assemble the cams and install everything on the cabinet.

The locating clips and positioning stops ensure a fast and secure assembly and removal from the cabinet without the need to access the side of the cabinet.

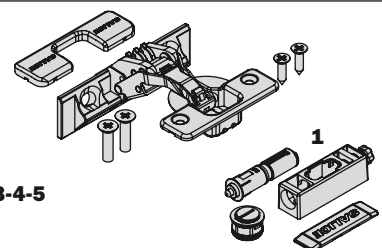
Calculation of the min. structure dimensions

Usable structure depth (LPU - mm)					
		501 - 600		601 - 700	
Door height TH (mm)	Min	Max	Min	Max	
	1930	2230	1930	2230	4 x
	2231	2530	2231	2530	5 x

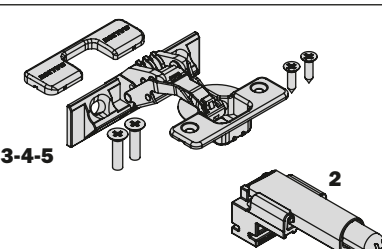


max 24 kg
max 30 kg

Push kit

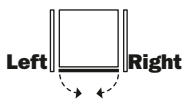
 3-4-5	Part number	Kit composition	Packing
	VE55KITCP010AB	5 Push Hinges + 1 Release device · Nichel-plated	6 Boxes
	VE55KITCP010TB	5 Push Hinges + 1 Release device · Titanium	6 Boxes
	VE55KITCP020AB	4 Push Hinges + 1 Release device · Nichel-plated	6 Boxes
	VE55KITCP020TB	4 Push Hinges + 1 Release device · Titanium	6 Boxes
	VE55KITCP030AB	3 Push Hinges + 1 Release device · Nichel-plated	6 Boxes
	VE55KITCP030TB	3 Push Hinges + 1 Release device · Titanium	6 Boxes

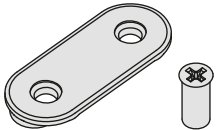
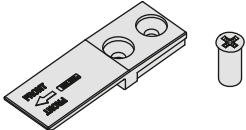
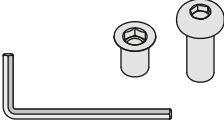
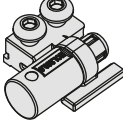
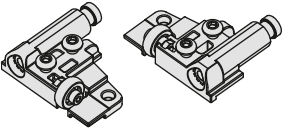
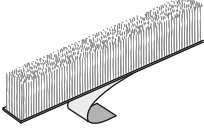
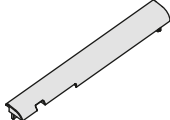
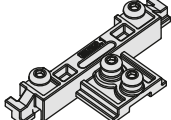
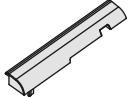
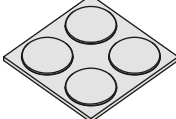
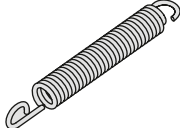
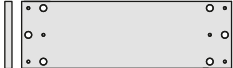

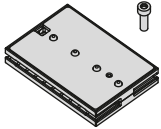
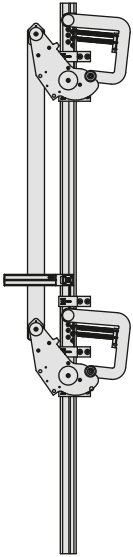


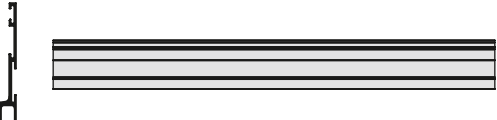
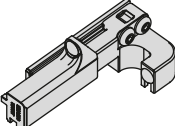
Smove kit

 3-4-5	Part number	Kit composition	Packing
	VE55KITCS010AB	5 CA Hinges + 2 Smove · Nichel-plated	6 Boxes
	VE55KITCS010TB	5 CA Hinges + 2 Smove · Titanium	6 Boxes
	VE55KITCS020AB	4 CA Hinges + 2 Smove · Nichel-plated	6 Boxes
	VE55KITCS020TB	4 CA Hinges + 2 Smove · Titanium	6 Boxes
	VE55KITCS030AB	3 CA Hinges + 2 Smove · Nichel-plated	6 Boxes
	VE55KITCS030TB	3 CA Hinges + 2 Smove · Titanium	6 Boxes

CA = sprung hinge

Mechanism kit – STANDARD PARTIALLY ASSEMBLED

Part number	 Left Right	Usable structure depth (LPU - mm)	Door height TH (mm)
VE55CMD2200NN	Right	500 - 700	1930 - 2230
VE55CMS2200NN	Left		
VE55CMD2500NN	Right	500 - 700	2231 - 2530
VE55CMS2500NN	Left		

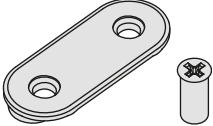
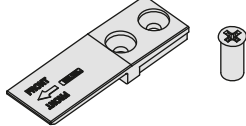
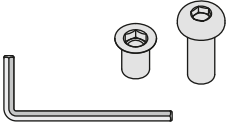
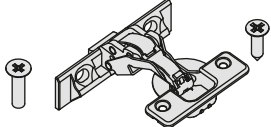
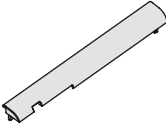
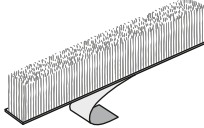
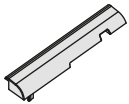
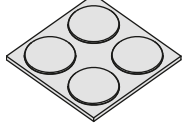
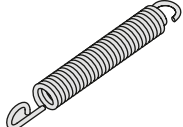
	n° 9 Locating clips n° 18 Euroscrews 6.3 x 14		n° 5 Positioning stops n° 10 Screws 6.3 x 14
	n° 2 Threaded inserts M6 x 13 n° 2 Screws M6 20 UNI 7380 n° 1 Allen key		n° 1 Door insertion stopper
	n° 1 + n° 1 Door extraction dampers		3 mt Dust protection brush
	n° 1 Upper front cover		n° 2 Central profile connectors
	n° 1 Lower front cover		N° 1 Spacers
	n° 2 Spare springs		n° 2 Cam connection plates
	n° 12 Fixing screws for connection plates (screws M4 x UNI)		
	n° 1 Magnetic buffer for soft insertion		
	n° 1 Upper track		
	n° 1 Lower track		
	n° 1 Rear bumper		

Exedra - Customised

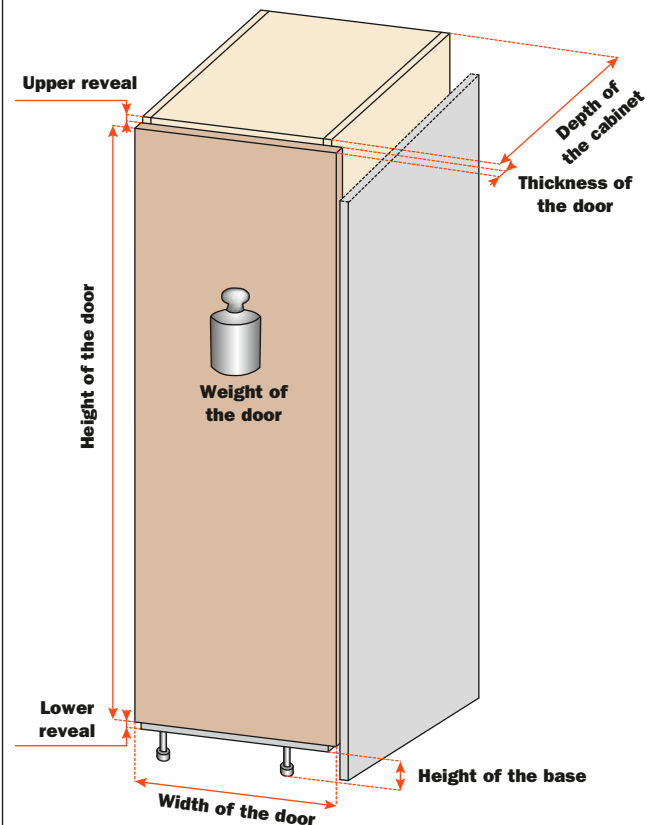
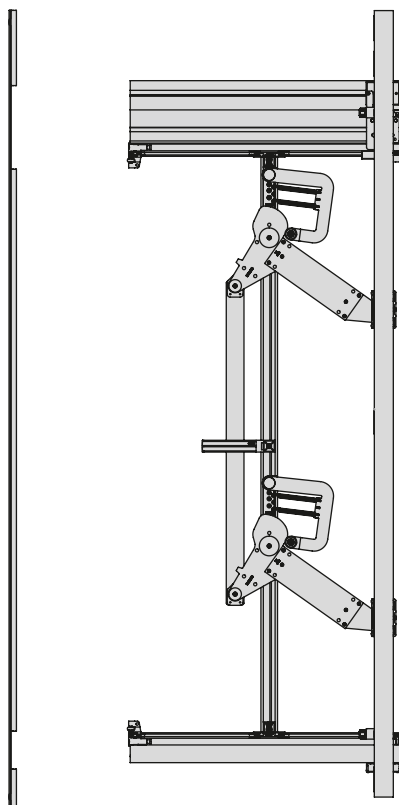
Fully assembled solution according to customer requirements.

The Exedra system is produced according to the dimensional specifications provided by the customer. The customer only has to assemble the system on the cabinet with the provided drilling patterns.

The locating clips and positioning stops ensure a fast and secure assembly and removal from the cabinet without the need to access the side of the cabinet.

	<p>n° 9 Locating clips n° 18 Euroscrews 6.3 x 14</p>		<p>n° 5 Positioning stops n° 10 Screws 6.3 x 14</p>
	<p>n° 2 Threaded inserts M6 x 13 n° 2 Screws M6 20 UNI 7380 n° 1 Allen key</p>		<p>n° 4/5 Hinges for the fixing of the door n° 4/5 Flange covers n° 8/10 Screws for the fixing of the hinges to the system M5 x 20 UNI 7688 n° 8/10 Screws for the fixing of the hinges to the door 4 x 16 DIN 7505 A</p>
	<p>n° 1 Upper front cover</p>		<p>3 mt Dust protection brush</p>
	<p>n° 1 Lower front cover</p>		<p>n° 1 Spacers</p>
	<p>n° 2 Spare springs</p>		

Information required to order a made-to-measure Exedra mechanism.

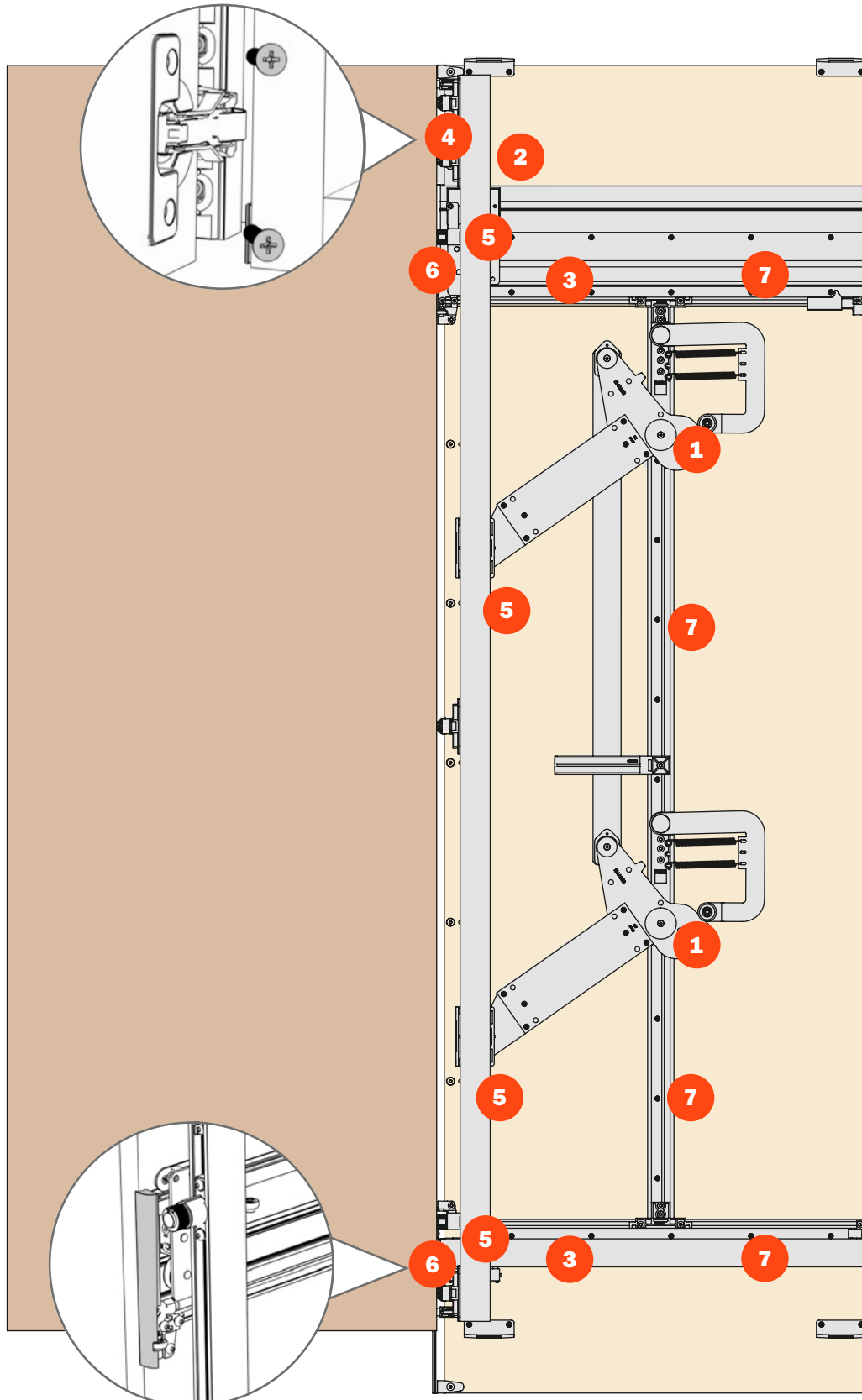




Exedra • Euro 32

Exedra Euro 32

- 1** Cam-assisted door insertion and extraction movement.
- 2** Magnetic buffer for soft insertion.
- 3** Sliding carriage.
- 4** Quick coupling hinges.
- 5** All adjustments are accessible from the front of the cabinet.
- 6** Profile cover caps (included in the standard versions).
- 7** Option for direct fixing to the cabinet by euroscrew (only with System 32 version).



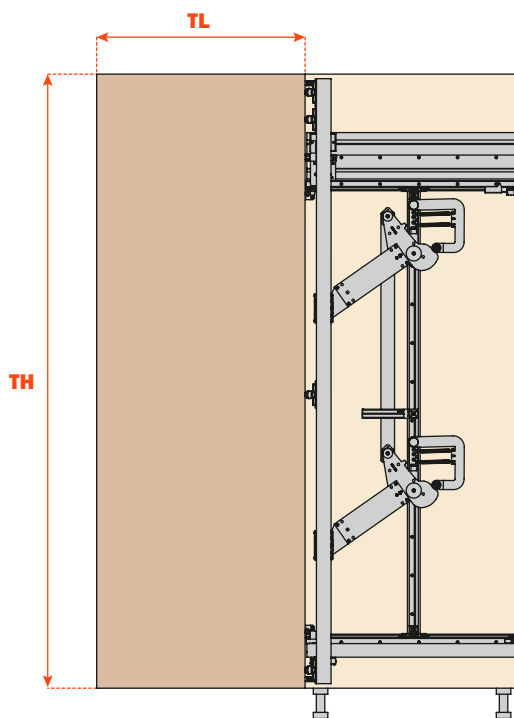
Exedra Euro 32 - Calculation for door protrusion from front of cabinet

Abbreviations

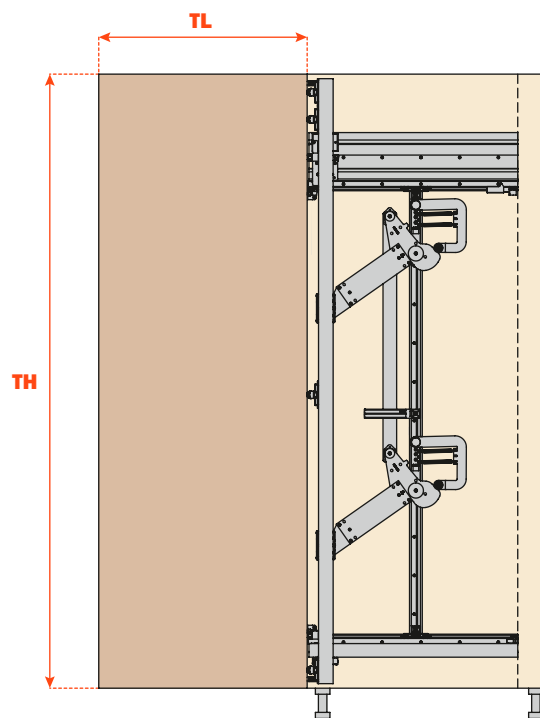
LPS Total external depth of the cabinet
LPU Usable external depth of the cabinet
TL Door width

TH Door height
CP Profile length
Y Door protrusion

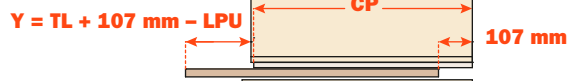
LPS < TL



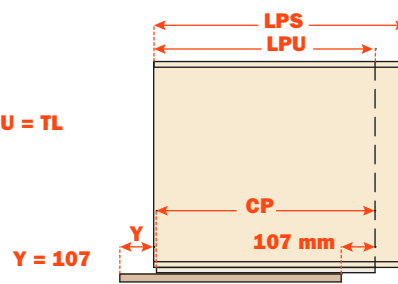
LPS ≥ TL



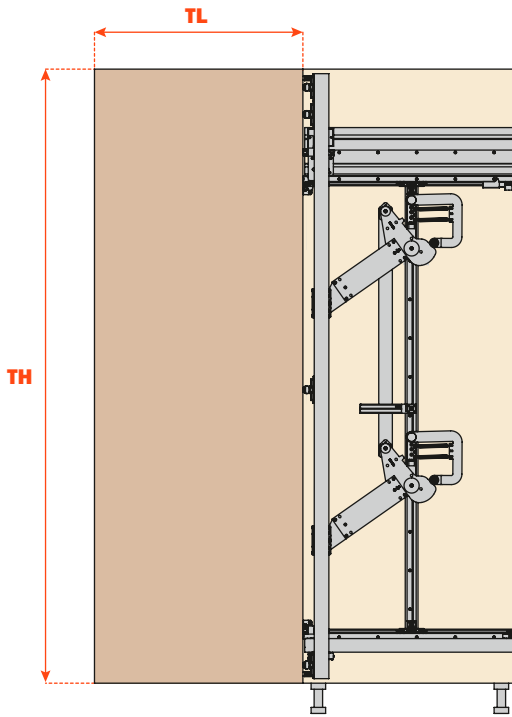
LPU = LPS



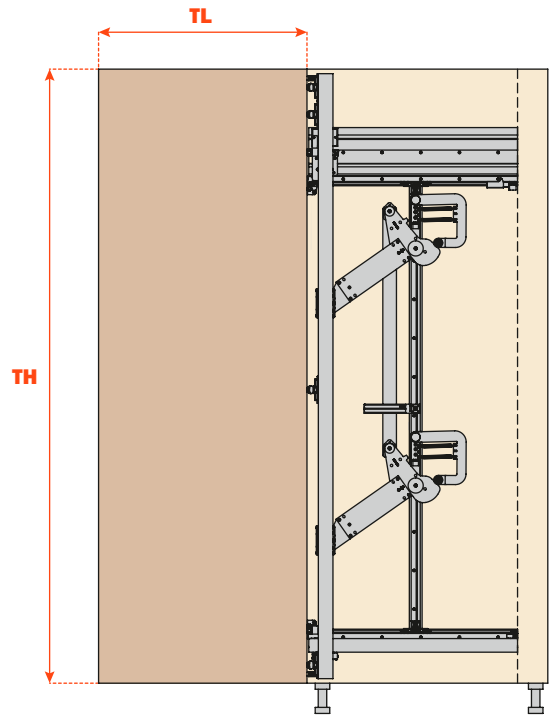
LPU = TL



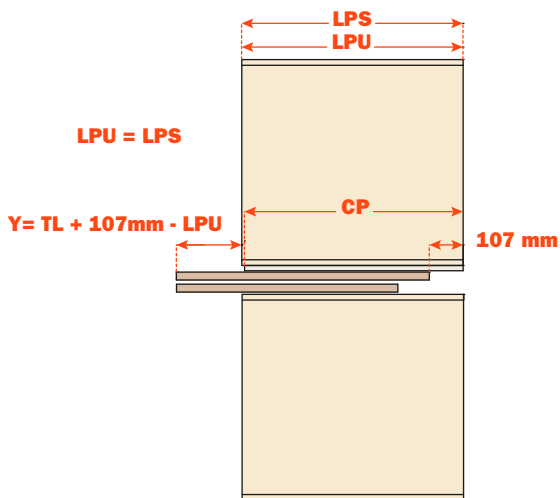
LPS < TL



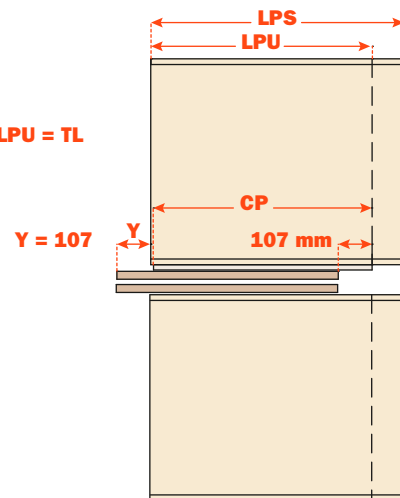
LPS ≥ TL



LPU = LPS



LPU = TL

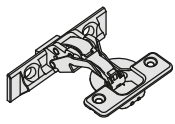


Exedra Euro 32 - Standard

This solution offers a great deal of flexibility to the customer. The customer cuts the profile sections to their desired length and fixes together its individual components. A cam-carriage connection must be ordered together with the mechanism kit according to the usable structure depth (LPU) and the door height (TH). Refer to the installation manual for the cutting and assembly operations.


The Euro 32 version enables the mechanism to be screwed directly to the cabinet side through pre-drilled holes in the horizontal sections. Installation and removal require full access to the side of the cabinet.

Calculation of the min. structure dimensions

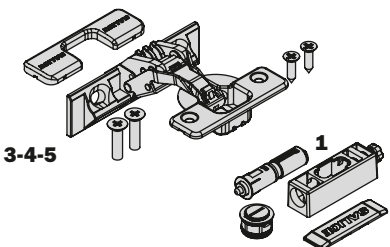
Usable structure depth (LPU - mm)																		
370 - 400		401 - 500		501 - 600		601 - 700		701 - 800		801 - 900								
Door height TH (mm)	Min	Max	Min	Max	Min	Max	Min	Max	Min	Max	Min	Max	2 x		max 12 kg			
	1303	1575															3 x	max 18 kg
			1576	1726	1698	1787	1820	1909									4 x	max 24 kg
			1727	2121	1788	2182	1910	2243	2032	2304	2154	2365					5 x	max 30/40 kg*
		2122	2800	2183	2800	2244	2800	2305	2800	2366	2800							

* peso massimo 40 kg solo con larghezza massima dell'anta 700mm

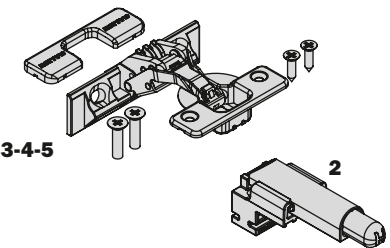
Mechanism kit – STANDARD

Part number		Door height TH (mm)
YE55BAD1900NNE	Right	(1303) 1575 - 1930
YE55BAS1900NNE	Left	
YE55BAD2500NNE	Right	1575 - 2530 (2800)
YE55BAS2500NNE	Left	

Push kit


	Part number	Kit composition	Packing
3-4-5	VE55KITCP010AB	5 Push Hinges + 1 Release device · Nichel-plated	6 Boxes
	VE55KITCP010TB	5 Push Hinges + 1 Release device · Titanium	6 Boxes
	VE55KITCP020AB	4 Push Hinges + 1 Release device · Nichel-plated	6 Boxes
	VE55KITCP020TB	4 Push Hinges + 1 Release device · Titanium	6 Boxes
	VE55KITCP030AB	3 Push Hinges + 1 Release device · Nichel-plated	6 Boxes
	VE55KITCP030TB	3 Push Hinges + 1 Release device · Titanium	6 Boxes


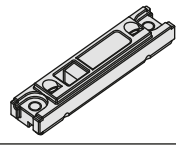
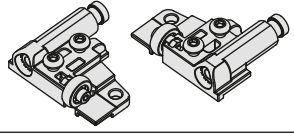
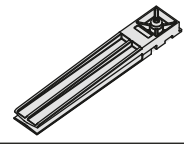
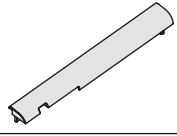
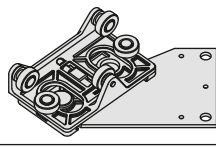
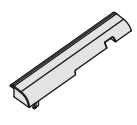
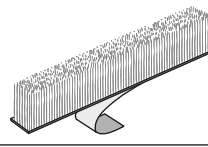
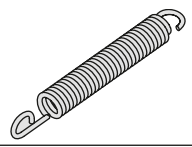
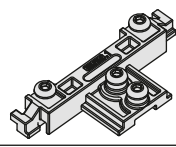
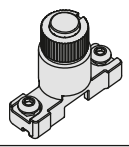
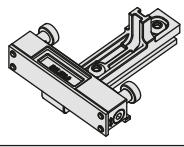
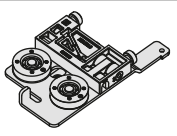
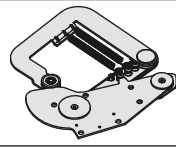
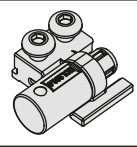
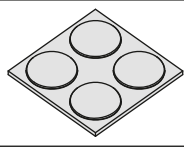

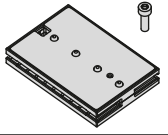

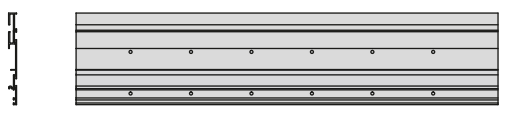

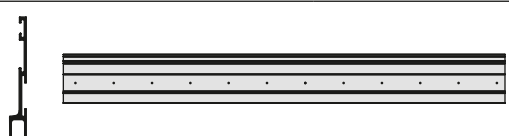
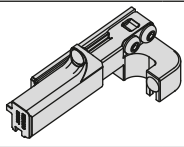

Smove kit

	Part number	Kit composition	Packing
3-4-5	VE55KITCS010AB	5 CA Hinges + 2 Smove · Nichel-plated	6 Boxes
	VE55KITCS010TB	5 CA Hinges + 2 Smove · Titanium	6 Boxes
	VE55KITCS020AB	4 CA Hinges + 2 Smove · Nichel-plated	6 Boxes
	VE55KITCS020TB	4 CA Hinges + 2 Smove · Titanium	6 Boxes
	VE55KITCS030AB	3 CA Hinges + 2 Smove · Nichel-plated	6 Boxes
	VE55KITCS030TB	3 CA Hinges + 2 Smove · Titanium	6 Boxes

CA = sprung hinge

Cam-carriage connection

	Part number	Usable structure depth (LPU - mm)
x 2	YE55KIT0101	370 - 400
	YE55KIT0101	401 - 500
	YE55KIT0102	501 - 600
	YE55KIT0103	601 - 700
	YE55KIT0104	701 - 800
	YE55KIT0105	801 - 900

	n° 2 Euro screws		n° 4/5 Mounting plates
	n° 1 + n° 1 Door extraction dampers		n° 1 Mechanism connecting support profile
	n° 1 Upper front cover		n° 2 Vertical carriages
	n° 1 Lower front cover		3 mt Dust protection brush
	n° 2 Spare springs		n° 2 Central profile connectors
	n° 2 Door positioning supports		n° 1 Lower horizontal carriage
	n° 1 Upper horizontal carriage		n° 2 Door extraction and insertion mechanisms
	n° 1 Door insertion stopper		n° 1 Spacers
	n° 12 Fixing screws for connection plates (screws M4 x UNI) n° 2 Cam connection plates		
	n° 1 Magnetic buffer for soft insertion		n° 1 Central profile
	n° 1 Upper track		n° 1 Mechanism profile connecting
	n° 1 Lower track		n° 1 Rear bumper
	n° 1 Door fixing profile		

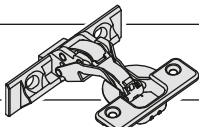
Exedra Euro 32 - Partially assembled

Partially-assembled systems.

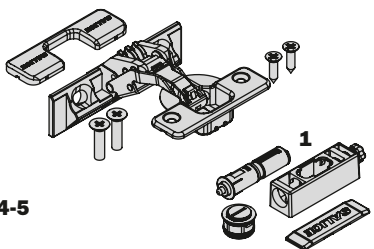
The partly-assembled Exedra system can be supplied in two versions: for doors with height from 1930 to 2230 mm or from 2231 to 2530 mm. Depth between 500 and 700 mm. After the identification of the version, the customer must cut to size the upper and the lower tracks, assemble the cams and install everything on the cabinet.

The Euro 32 version enables the mechanism to be screwed directly to the cabinet side through pre-drilled holes in the horizontal sections. Installation and removal require full access to the side of the cabinet.

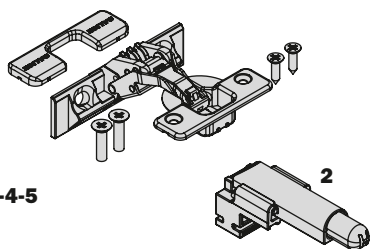
Calculation of the min. structure dimensions

Usable structure depth (LPU - mm)						
Door height TH (mm)	501 - 600		601 - 700			
	Min	Max	Min	Max		
	1930	2230	1930	2230	4 x	
2231	2530	2231	2530	5 x	max 30 kg	

Push Kit

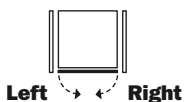
 3-4-5	Part number	Kit composition	Packing
	VE55KITCP010AB	5 Push Hinges + 1 Release device · Nichel-plated	6 Boxes
	VE55KITCP010TB	5 Push Hinges + 1 Release device · Titanium	6 Boxes
	VE55KITCP020AB	4 Push Hinges + 1 Release device · Nichel-plated	6 Boxes
	VE55KITCP020TB	4 Push Hinges + 1 Release device · Titanium	6 Boxes
	VE55KITCP030AB	3 Push Hinges + 1 Release device · Nichel-plated	6 Boxes
	VE55KITCP030TB	3 Push Hinges + 1 Release device · Titanium	6 Boxes


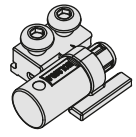
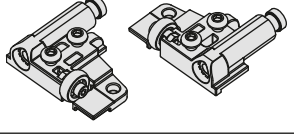
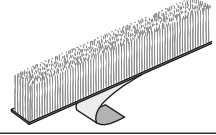
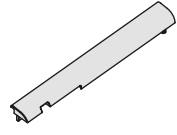
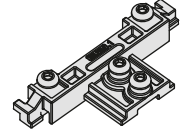
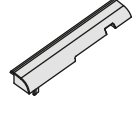
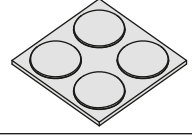
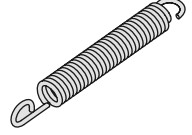



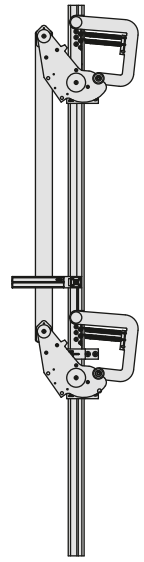

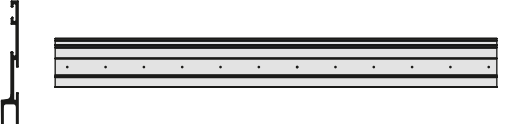
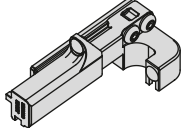
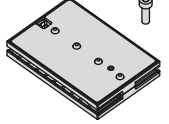
Smove Kit

 3-4-5	Part number	Kit composition	Packing
	VE55KITCS010AB	5 CA Hinges + 2 Smove · Nichel-plated	6 Boxes
	VE55KITCS010TB	5 CA Hinges + 2 Smove · Titanium	6 Boxes
	VE55KITCS020AB	4 CA Hinges + 2 Smove · Nichel-plated	6 Boxes
	VE55KITCS020TB	4 CA Hinges + 2 Smove · Titanium	6 Boxes
	VE55KITCS030AB	3 CA Hinges + 2 Smove · Nichel-plated	6 Boxes
	VE55KITCS030TB	3 CA Hinges + 2 Smove · Titanium	6 Boxes

CA = sprung hinge

Mechanism kit – STANDARD PARTIALLY ASSEMBLED

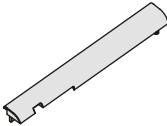
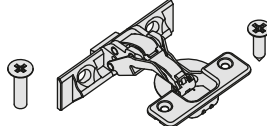
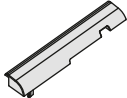
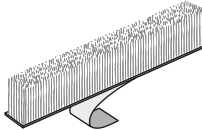
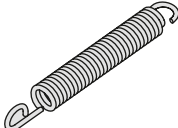
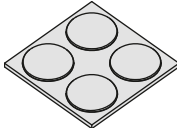
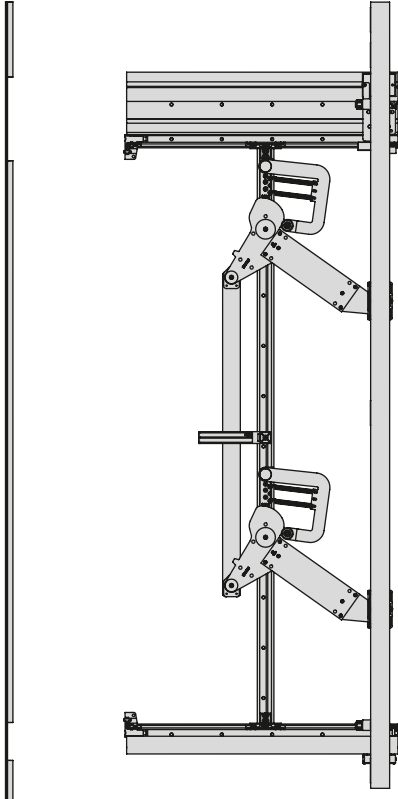
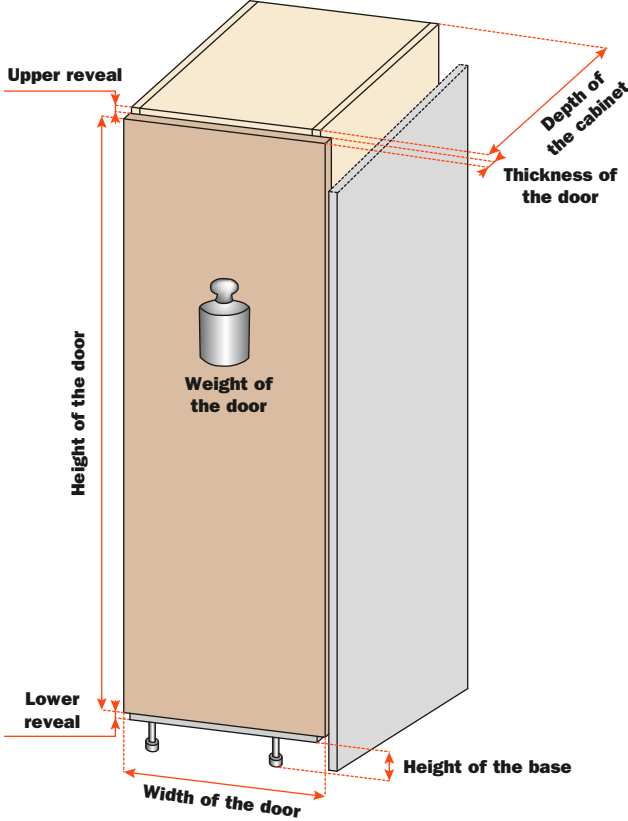
Part number		Usable structure depth (LPU - mm)	Door height TH (mm)
VE55CMD2200NN	Right	500 - 700	1930 - 2230
VE55CMS2200NN	Left		
VE55CMD2500NN	Right	500 - 700	2231 - 2530
VE55CMS2500NN	Left		

	n° 2 Euro screws		n° 1 Door insertion stopper
	n° 1 + n° 1 Door extraction dampers		3 mt Dust protection brush
	n° 1 Upper front cover		n° 2 Central profile connectors
	n° 1 Lower front cover		N° 1 Spacers
	n° 2 Spare springs		n° 2 Cam connection plates
	n° 12 Fixing screws for connection plates (screws M4 x UNI)		
	n° 1 Upper track		
	n° 1 Lower track		
	n° 1 Rear bumper		
	n° 1 Magnetic buffer for soft insertion		

Exedra Euro 32

Fully assembled solution according to customer requirements.

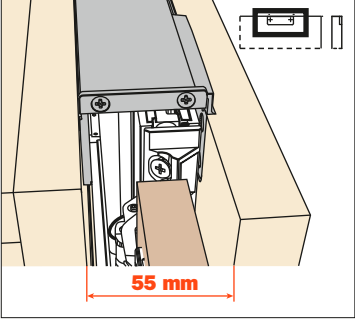
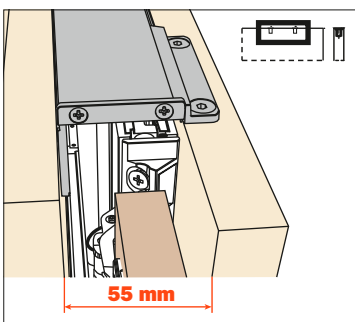
The Exedra system is produced according to the dimensional specifications provided by the customer. The customer has only to assemble the mechanism onto the cabinet which is pre-drilled according to the drilling pattern provided. The Euro 32 version enables the mechanism to be screwed directly to the cabinet side through pre-drilled holes in the horizontal sections. Installation and removal require full access to the side of the cabinet.

	<p>n° 1 Upper front cover</p>		<p>n° 4/5 Hinges for the fixing of the door n° 4/5 Flange covers n° 8/10 Screws for the fixing of the hinges to the system M5 x 20 UNI 7688 n° 8/10 Screws for the fixing of the hinges to the door 4 x 16 DIN 7505 A</p>
	<p>n° 1 Lower front cover</p>		<p>3 mt Dust protection brush</p>
	<p>n° 2 Spare springs</p>		<p>n° 1 Spacers</p>
		<p>Information required to order a made-to-measure Exedra mechanism.</p> 	



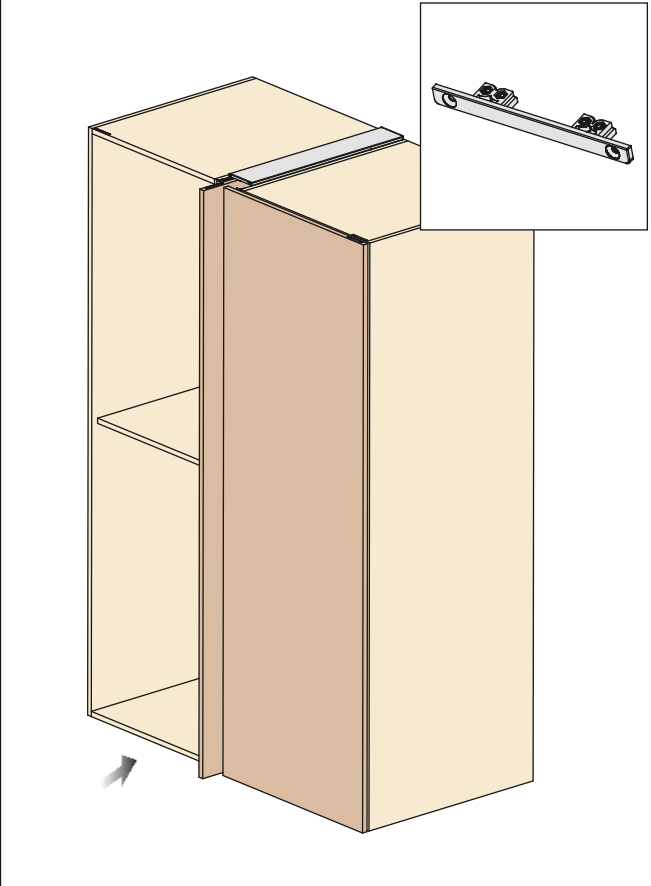
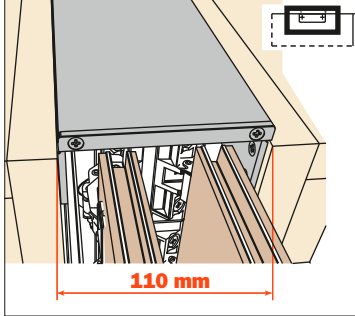
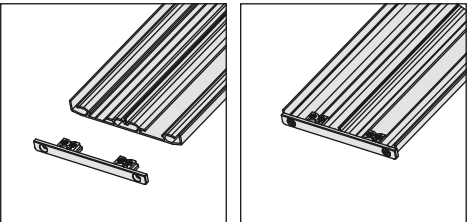
Accessories

Exedra - Accessories - Side panel connector kits - Single door

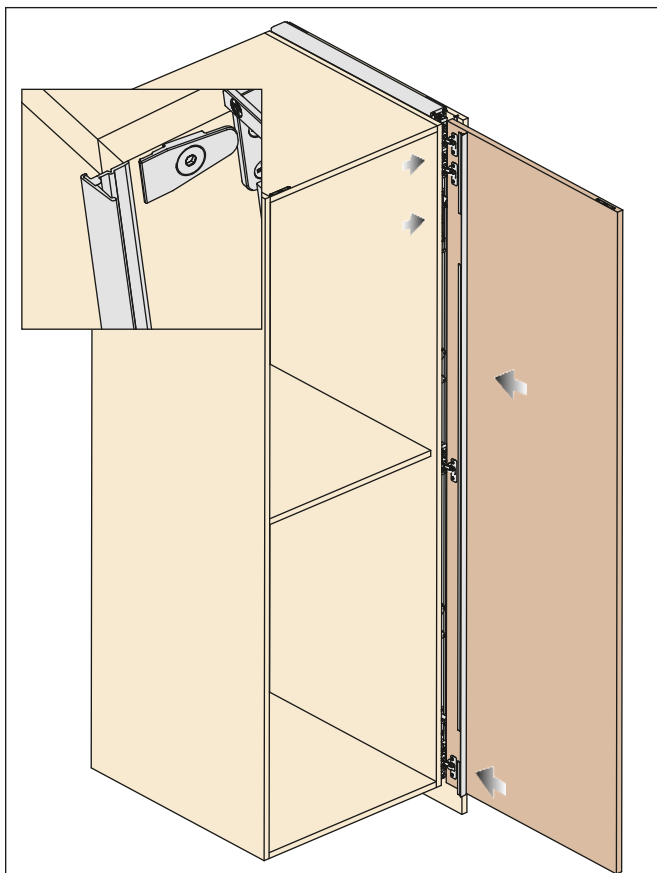
Version with milling	Part number	LPS (mm)	Version to be screw-fixed	Part number	LPS (mm)
	VE55KIT0005	400 - 650		VE55KIT0001	400 - 650
	VE55KIT0006	650 - 900		VE55KIT0002	650 - 900

Accessories - Connector kits for double-pocket applications for 2 doors

Screw-fix the supports to the cabinet side and insert the track for the doors in the front part of the profile. Cut to length and insert the profile.

		Part number	LPS (mm)
		VE55KIT0003	400 - 650
	VE55KIT0004	650 - 900	
			

Cut the aluminium cover to length and slide it onto the clips.



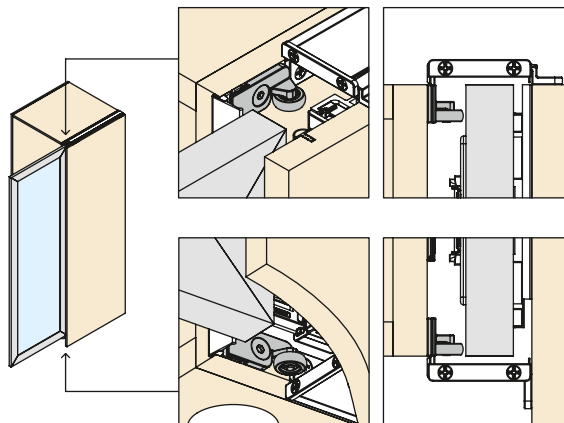
	Part number	L (m)	Colours
	VE55KIT0201	2.6	
	VE55KIT0202	2.6	
	VE55KIT0203	2.6	
	VE55KIT0204	3.0	
	VE55KIT0205	3.0	
	VE55KIT0206	3.0	

Accessories

Supplementary roller guide for aluminium-framed glass doors and framed wooden doors.

The fixing of this component requires additional working. Please do not hesitate to consult our technical support department for assistance.

Part number	pcs.
VE55KIT0040	1 (Box with 10 pcs.)



ARTURO SALICE S.p.A.

VIA PROVINCIALE NOVEDRATESE, 10
22060 NOVEDRATE (COMO) ITALIA
TEL. 031 790424 - FAX 031 791508
info.salice@salice.com - www.salice.com

DEUTSCHE SALICE GMBH

RUDOLF DIESEL STR. 10
74382 NECKARWESTHEIM
TEL. 07133 9807-0
FAX. 07133 9807-16
info.salice@deutschesalice.de
www.salice.com

DEUTSCHE SALICE GMBH

VERKAUFSBÜRO NORD
RINGSTRASSE 36/A30 CENTER
32584 LÖHNE
TEL. 05731 15608-0
FAX. 05731 15608-10
vknord@deutschesalice.de
www.salice.com

SALICE UK LTD.

KINGFISHER WAY
HINCHINGBROOKE BUSINESS PARK
HUNTINGDON CAMBS PE 29 6FN
TEL. 01480 413831
FAX. 01480 451489
info.salice@saliceuk.co.uk
www.salice.com

BORTOLUZZI SISTEMI S.p.A.

VIA CADUTI 14 SETTEMBRE 1944, 45
32100 BELLUNO ITALIA
TEL. 0437 930866 - FAX 0437 931442
info@bortoluzzi.com - www.bortoluzzi.com

SALICE FRANCE S.A.R.L.

285 RUE DE GOA ZAC LES 3 MOULINS
06600 ANTIBES
TEL. 0493 330069
FAX. 0493 330141
info.salice@salicefrance.com
www.salice.com

SALICE ESPAÑA, S.L.U.

C/ AIGUAFREDA 4, P.I. AMETLLA PARK
08480 L'AMETLLA DEL VALLÈS (BARCELONA)
TEL. 0034 938 46 88 61
info.salice@saliceespana.es
www.salice.com

SALICE PORTUGAL UNIP. LDA

SHOWROOM:

TV SÁ E MELO 161 FA
4470-116 MAIA - PORTO
TEL: 00351 224 154 221
Info@saliceportugal.pt
www.salice.com

ARMAZÉM:

VIA ROTA DOS MÓVEIS I 399
4585-325 GANDRA

SALICE CHINA (SHANGHAI) CO. LTD.

1st FLOOR, B1 BLDG 928 MINGZHU ROAD
XUJING, QINGPU DISTRICT
SHANGHAI 201702 - CHINA
TEL. 021 3988 9880
FAX. 021 3988 9882
info.salice@salicechina.com
www.salicechina.com

SALICE INDIA PVT. LTD.

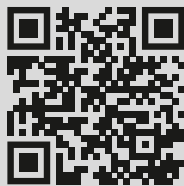
1001 & 1002, 10TH FLOOR,
CENTRUM, PLOT NO. C-3,
OPP. WAGLE PRABHAG SAMITI OFFICE,
MIDC AREA, WAGLE INDUSTRIAL ESTATE,
THANE - 400604, MAHARASHTRA
TEL. 022 20812050
info@saliceindia.com
www.salice.com

SALICE CANADA INC.

3500 RIDGEWAY DRIVE,
UNIT#1
MISSISSAUGA, ONTARIO, L5L 0B4
TEL. 905 820 8787
FAX. 905 820 7226
info.salice@salicecanada.com
www.salicecanada.com

SALICE AMERICA INC.

2123 CROWN CENTRE DRIVE
CHARLOTTE NC. 28227
TEL. 704 841 7810
FAX. 704 841 7808
info.salice@saliceamerica.com
www.saliceamerica.com



Digital contents

We reserve the right to change technical specifications.

