



**Lineabox**  
***SALICE***



SALICE

## Lineabox - Metal drawer

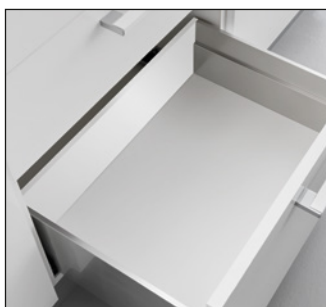
Clean, simple lines with minimal wall thickness to maximize internal space.  
Streamlined aesthetics uncluttered with holes or assembly components.  
Assembly is rapid without the need for machines or templates.  
Fluid, silent and progressive sliding movement, thanks to Futura full-extension runners.



## Lineabox

## Packing and Part number composition

page 6



### 2-sided

Metal side - h 104 mm

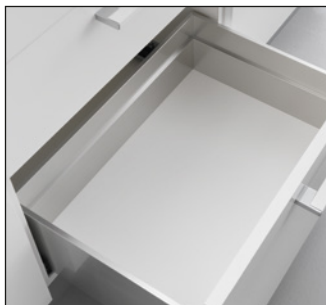
page 14

Metal side - h 180 mm

page 16

Metal side - h 77 mm

page 18



### 3-sided

Metal side - h 104 mm

page 20

Metal side - h 180 mm

page 22

Metal side - h 77 mm

page 24



### 4-sided

Metal side - h 104 mm

page 26

Metal side - h 180 mm

page 28

Metal side - h 77 mm

page 30



### Sink waste cut-out drawer - 2-sided

Metal side - h 104 mm

page 32

Metal side - h 180 mm

page 34

Metal side - h 77 mm

page 36



### Sink waste cut-out drawer - 3-sided

Metal side - h 104 mm

page 38

Metal side - h 180 mm

page 40

Metal side - h 77 mm

page 42



### Under-sink drawer - 2-sided

Metal side - h 104 mm

page 44

Metal side - h 180 mm

page 46

Metal side - h 77 mm

page 48





**Under-sink drawer - 3-sided**

Metal side - h 104 mm

page 50

Metal side - h 180 mm

page 52

Metal side - h 77 mm

page 54



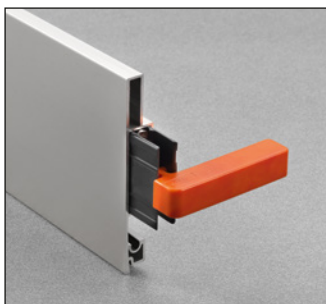
**Pull-out column unit**

page 56



**Pull-out high storage units**

page 60



**Assembly features**

2-sided

page 64

3-sided

page 66

4-sided

page 68

Sink waste cut-out drawer - 2-sided

page 70

Sink waste cut-out drawer - 3-sided

page 72

Under-sink drawer - 2-sided

page 74

Under-sink drawer - 3-sided

page 76

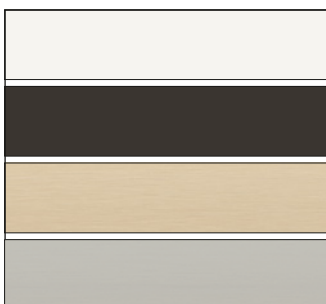
Pull-out column unit and  
pull-out high storage units

page 78



**Accessories**

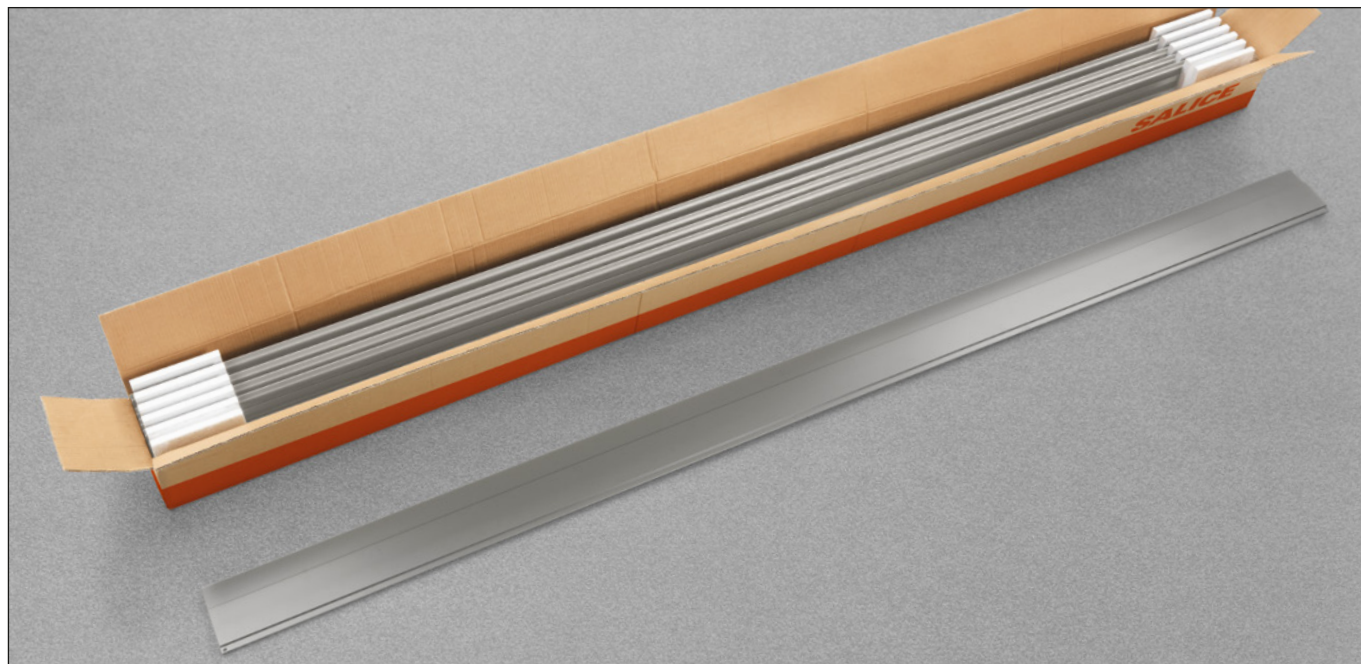
page 80



**Finishes**

page 83

## Side and back profiles - 3 metre lengths



SIDE PROFILE	PART NUMBER	BOX	PALLET
Side profile H 104 mm	<b>AMLMAX_3000</b>	5 pcs.	140 pcs.
Side profile H 180 mm	<b>AMLAXX_3000</b>	5 pcs.	100 pcs.
Side profile H 77 mm	<b>AMLBXX_3000</b>	5 pcs.	140 pcs.

BACK PROFILE	PART NUMBER	BOX	PALLET
Back profile H 104 mm	<b>AMPMXX_3000</b>	5 pcs.	140 pcs.
Back profile H 180 mm	<b>AMPAXX_3000</b>	5 pcs.	100 pcs.
Back profile H 77 mm	<b>AMPBXX_3000</b>	5 pcs.	140 pcs.

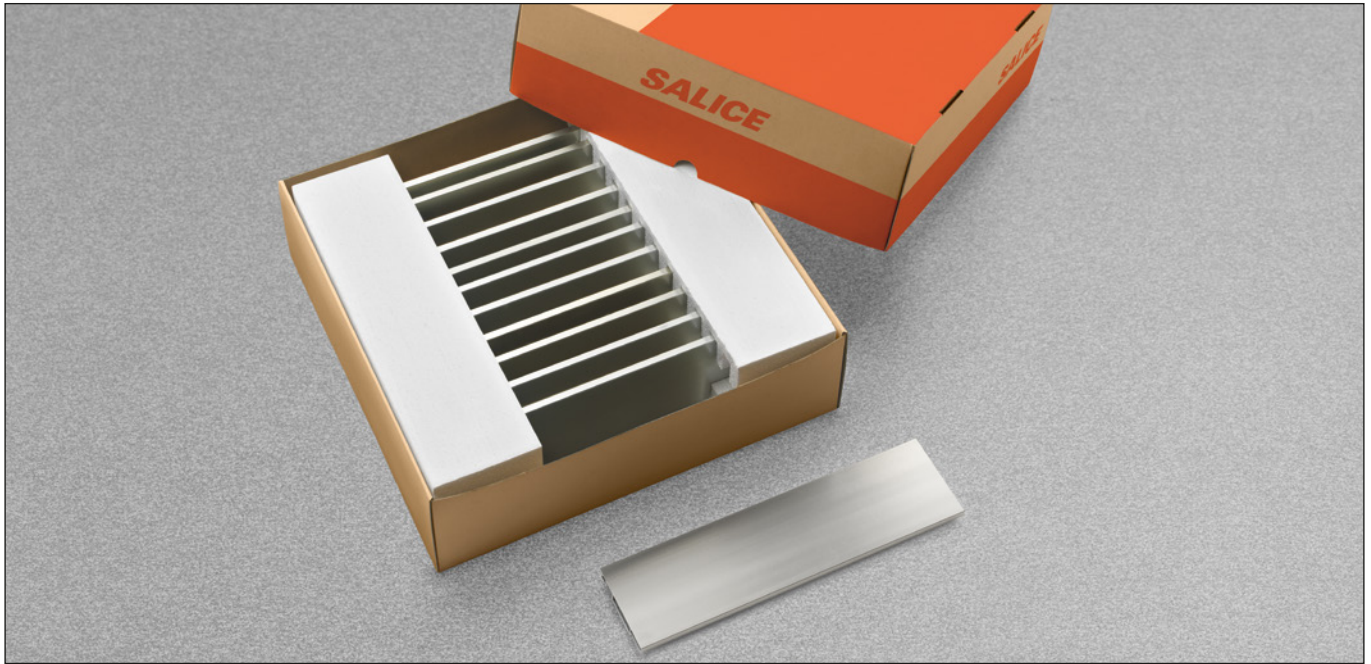
Part number composition (example):

**AMPBXX63000**

1 = White
6 = Titanium
C = Champagne
I = Stainless steel

## Packing - 2-SIDED drawer - Box of 12 pieces

### Side profiles cut to length



SIDE PROFILE H 104 mm 2-SIDED DRAWER	PART NUMBER	BOX	PALLET
Profile length up to 350 mm, 90° cut end	<b>AMLX2_0XXX</b>	12 pcs.	384 pcs.
Profile length from 351 to 500 mm, 90° cut end			336 pcs.
Profile length from 501 to 600 mm, 90° cut end			288 pcs.

SIDE PROFILE H 180 mm 2-SIDED DRAWER	PART NUMBER	BOX	PALLET
Profile length up to 350 mm, 90° cut end	<b>AMLAX2_0XXX</b>	12 pcs.	288 pcs.
Profile length from 351 to 500 mm, 90° cut end			240 pcs.
Profile length from 501 to 600 mm, 90° cut end			180 pcs.

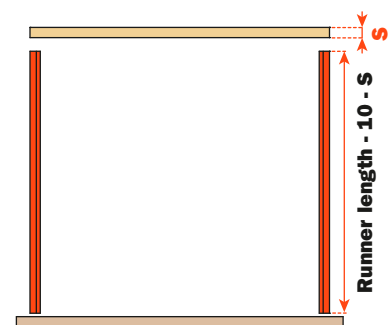
SIDE PROFILE H 77 mm 2-SIDED DRAWER	PART NUMBER	BOX	PALLET
Profile length up to 350 mm, 90° cut end	<b>AMLBX2_0XXX</b>	12 pcs.	384 pcs.
Profile length from 351 to 500 mm, 90° cut end			336 pcs.
Profile length from 501 to 600 mm, 90° cut end			288 pcs.

### Part number composition (example):

**AMLBX260XXX**

Runner length - 10 - s
RUNNER LENGTH
250
270
300
350
400
450
470
500
550
600

1 = White
6 = Titanium
C = Champagne
I = Stainless steel



## Right and left side profiles cut to length

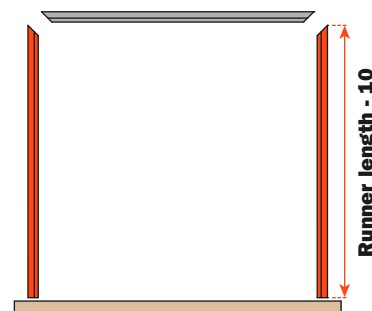
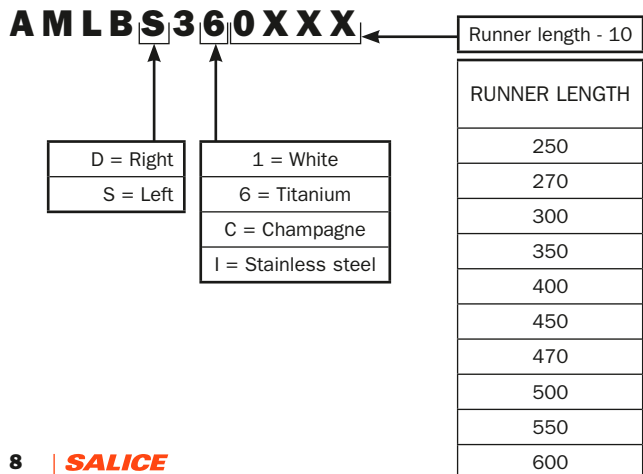


SIDE PROFILE H 104 mm 3-SIDED DRAWER	PART NUMBER	BOX RIGHT PROFILE	BOX LEFT PROFILE	PALLET
Profile length up to 350 mm · 45° mitre cut end	<b>AMLM_3_0XXX</b>	12 pcs.	12 pcs.	384 pcs.
Profile length from 351 to 500 mm · 45° mitre cut end				336 pcs.
Profile length from 501 to 600 mm · 45° mitre cut end				288 pcs.

SIDE PROFILE H 180 mm 3-SIDED DRAWER	PART NUMBER	BOX RIGHT PROFILE	BOX LEFT PROFILE	PALLET
Profile length up to 350 mm · 45° mitre cut end	<b>AMLA_3_0XXX</b>	12 pcs.	12 pcs.	288 pcs.
Profile length from 351 to 500 mm · 45° mitre cut end				240 pcs.
Profile length from 501 to 600 mm · 45° mitre cut end				180 pcs.

SIDE PROFILE H 77 mm 3-SIDED DRAWER	PART NUMBER	BOX RIGHT PROFILE	BOX LEFT PROFILE	PALLET
Profile length up to 350 mm · 45° mitre cut end	<b>AMLB_3_0XXX</b>	12 pcs.	12 pcs.	384 pcs.
Profile length from 351 to 500 mm · 45° mitre cut end				336 pcs.
Profile length from 501 to 600 mm · 45° mitre cut end				288 pcs.

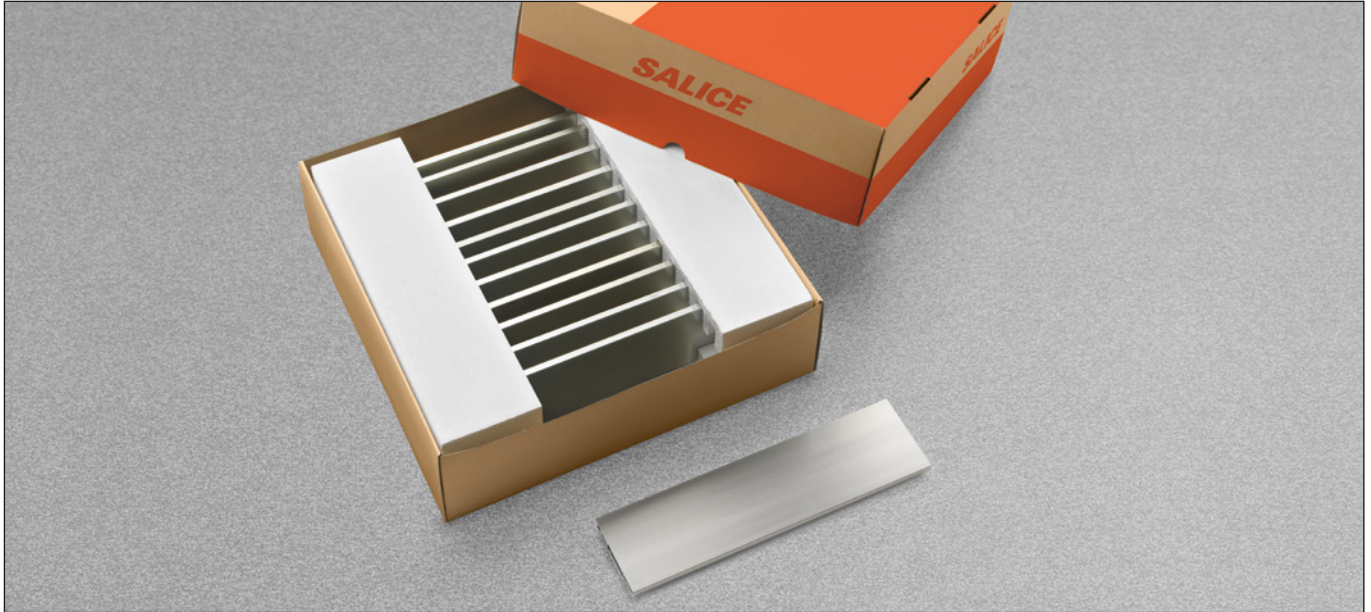
### Part number composition (example):





## Packing - 3-SIDED drawer - Box of 12 BACK PROFILES

### Back profiles cut to length



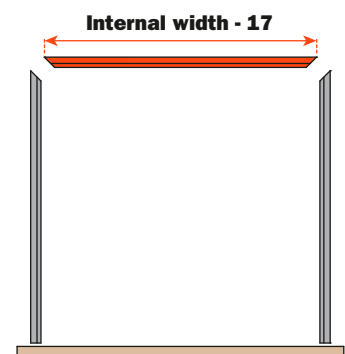
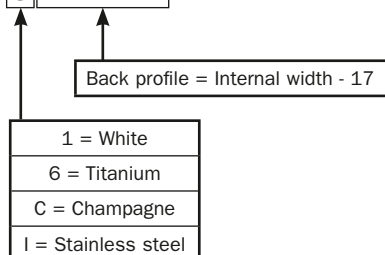
BACK PROFILE H 104 mm 3-SIDED DRAWER	PART NUMBER	BOX	PALLET
Profile length up to 350 mm · 45° mitre cut end	<b>AMPMX3_XXXX</b>	12 pcs.	384 pcs.
Profile length from 351 to 500 mm · 45° mitre cut end			336 pcs.
Profile length from 501 to 600 mm · 45° mitre cut end			288 pcs.

BACK PROFILE H 180 mm 3-SIDED DRAWER	PART NUMBER	BOX	PALLET
Profile length up to 350 mm · 45° mitre cut end	<b>AMPAX3_XXXX</b>	12 pcs.	288 pcs.
Profile length from 351 to 500 mm · 45° mitre cut end			240 pcs.
Profile length from 501 to 600 mm · 45° mitre cut end			180 pcs.

BACK PROFILE H 77 mm 3-SIDED DRAWER	PART NUMBER	BOX	PALLET
Profile length up to 350 mm · 45° mitre cut end	<b>AMPBX3_XXXX</b>	12 pcs.	384 pcs.
Profile length from 351 to 500 mm · 45° mitre cut end			336 pcs.
Profile length from 501 to 600 mm · 45° mitre cut end			288 pcs.

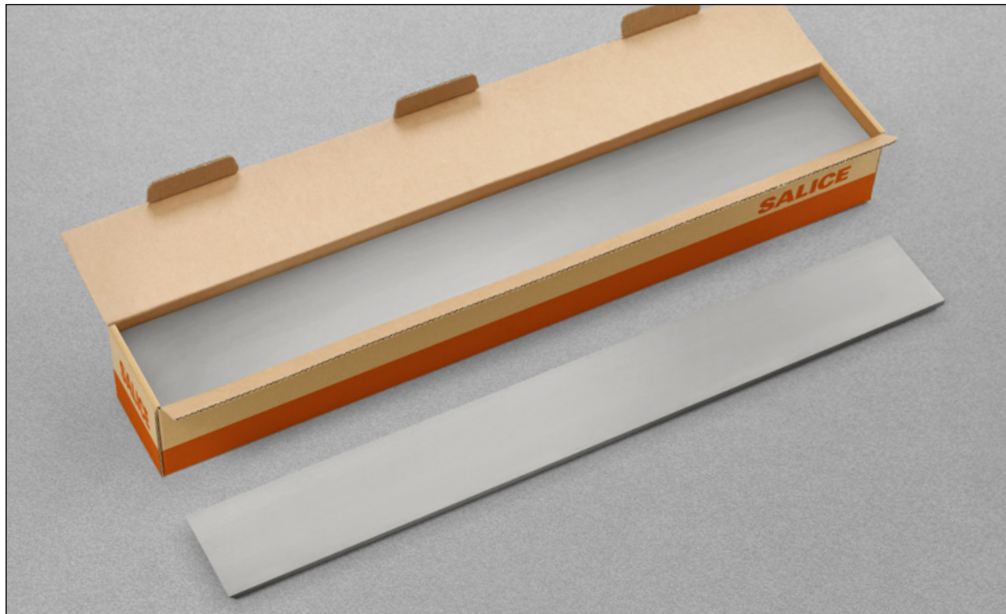
### Part number composition (example):

**AMPBX36XXXX**

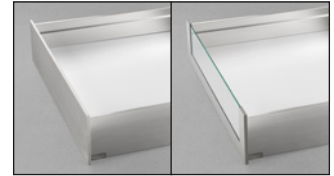


**Minimum order quantity: 10 boxes for each dimension**

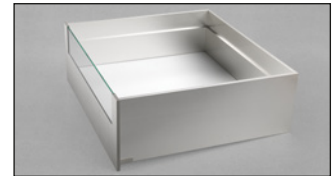
## Front profiles cut to length



**Front profile H 104 mm**



**Front profile H 180 mm**



**Front profile H 77 mm**



FRONT PROFILE H 104 mm 4-SIDED DRAWER	PART NUMBER	BOX	PALLET
Profile width 556 mm	<b>AMFMX4_XXXX</b>	3 pcs. 12 screws for aluminium frontal included	240 pcs.
Profile width 856 mm			240 pcs.
Profile width 1156 mm			240 pcs.

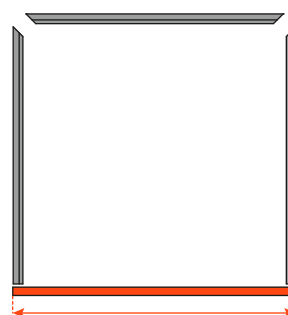
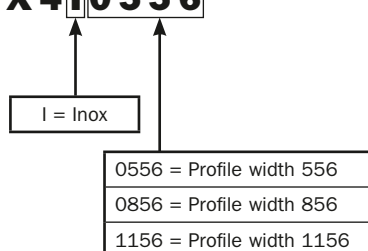
FRONT PROFILE H 104 mm 4-SIDED DRAWER FOR GLASS INSERT	PART NUMBER	BOX	PALLET
Profile width 556 mm	<b>AMFMV4_XXXX</b>	3 pcs. 12 screws for aluminium frontal included	240 pcs.
Profile width 856 mm			240 pcs.
Profile width 1156 mm			240 pcs.

FRONT PROFILE H 180 mm 4-SIDED DRAWER FOR GLASS INSERT	PART NUMBER	BOX	PALLET
Profile width 556 mm	<b>AMFAV4_XXXX</b>	3 pcs. 24 screws for aluminium frontal included	240 pcs.
Profile width 856 mm			240 pcs.
Profile width 1156 mm			240 pcs.

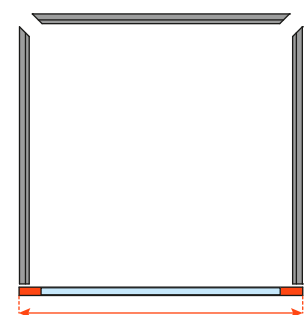
FRONT PROFILE H 77 mm 4-SIDED DRAWER	PART NUMBER	BOX	PALLET
Profile width 556 mm	<b>AMFBX4_XXXX</b>	3 pcs. 12 screws for aluminium frontal included	240 pcs.
Profile width 856 mm			240 pcs.
Profile width 1156 mm			240 pcs.

### Part number composition (example):

**AMFBX4I0556**



**Profile width**  
556 / 856 / 1156 mm



**Profile width**  
556 / 856 / 1156 mm

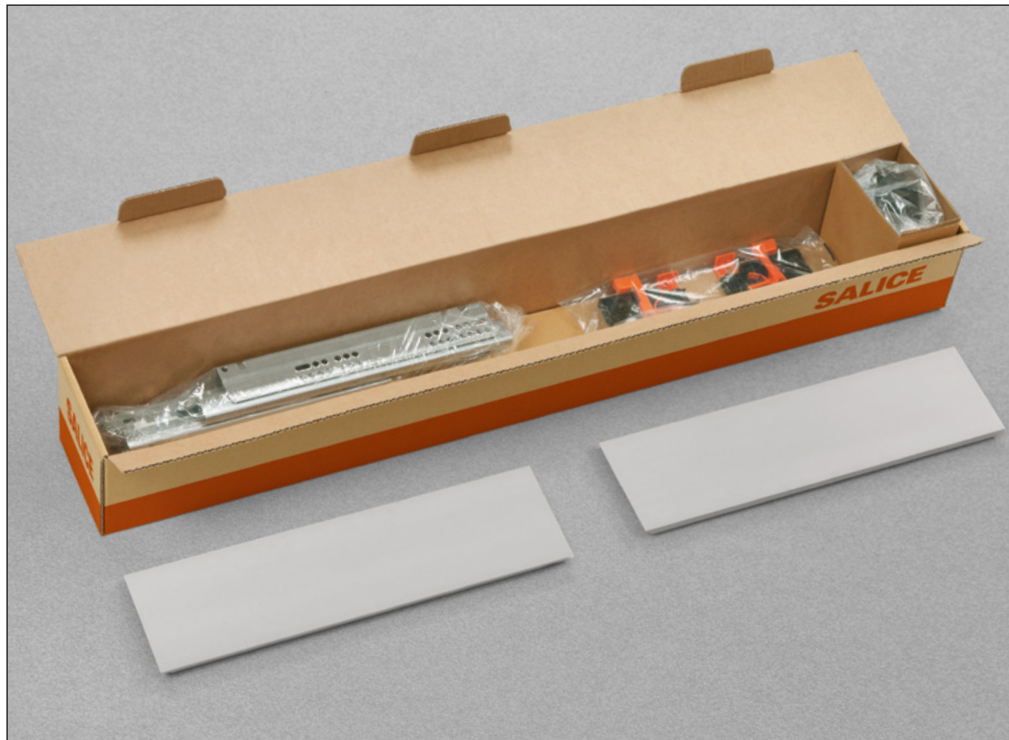
Industrial packing



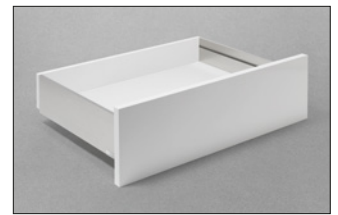
	COMPONENTS	PART NUMBER	BOX	PALLET
	Frontal connecting fitting	<b>AMGPXA3</b>	200 pcs.	8000 pcs.
	Frontal fixing screws for wooden frontal included ø 3.5 x 20 mm	<b>SMGP12A3XA</b>	200 pcs.	8000 pcs.
	Left back connecting fitting	<b>AMGPSP3</b>	100 pcs.	4000 pcs.
	Right back connecting fitting	<b>AMGDP3</b>	100 pcs.	4000 pcs.
	Medium corner connector	<b>SMGP89P3MA</b>	200 pcs.	8000 pcs.
	High corner connector	<b>SMGP89P3AA</b>	200 pcs.	4000 pcs.
	Cover cap with embossed logo	<b>SCCX83H9</b>	5000 pcs.	30000 pcs.
	Cover cap with silk-screen printed logo	<b>SCXX83H9</b>	5000 pcs.	30000 pcs.
	Reinforcing supports for the bottom of the drawer	<b>AMSRX33</b>	50 pcs. per type	3600 pcs.
	Insert for 15 mm bottom thickness ø 5 mm	<b>SMGP15X4XA</b>	200 pcs.	2000 pcs.
	Stabilizer pin for 2-sided drawers ø 6 mm Frontal drilling ø 5 mm	<b>SMGP21X4XA</b>	200 pcs.	2000 pcs.



Contains everything necessary to assemble 1 drawer



2-sided drawer H 104 mm



2-sided drawer H 180 mm



2-sided drawer H 77 mm

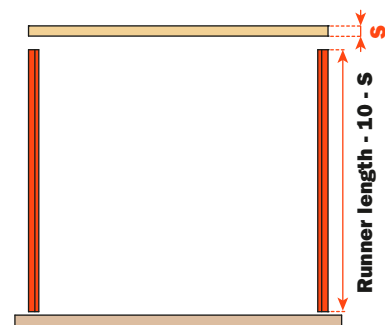
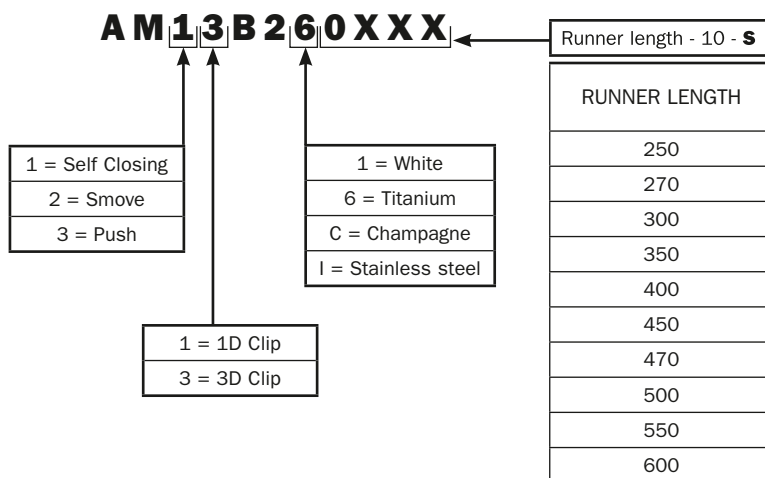


SIDE PROFILE H 104 mm 2-SIDED DRAWER	PART NUMBER	BOX	PALLET
Profile length up to 600 mm	AM_ M2_ OXXX	a single drawer	80 pcs.

SIDE PROFILE H 180 mm 2-SIDED DRAWER	PART NUMBER	BOX	PALLET
Profile length up to 600 mm	AM_ A2_ OXXX	a single drawer	80 pcs.

SIDE PROFILE H 77 mm 2-SIDED DRAWER	PART NUMBER	BOX	PALLET
Profile length up to 600 mm	AM_ B2_ OXXX	a single drawer	80 pcs.

Part number composition (example):

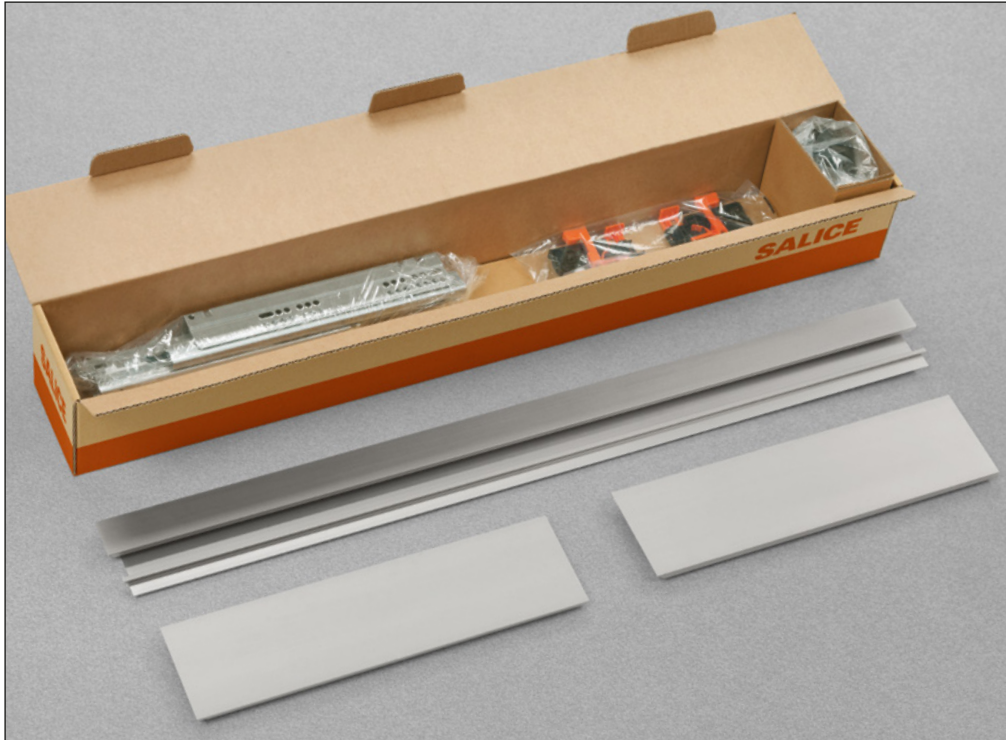


Minimum order quantity: 10 boxes for each dimension

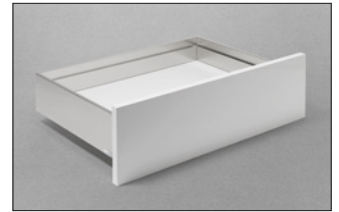


# Packing - 3-SIDED drawer - Single packing

Contains everything necessary to assemble 1 drawer



**3-sided drawer H 104 mm**



**3-sided drawer H 180 mm**



**3-sided drawer H 77 mm**



SIDE PROFILE H 104 mm 3-SIDED DRAWER	PART NUMBER	BOX	PALLET
Cabinet width up to 600 mm	<b>AM_ M3_OXXXRRRR</b>	a single drawer	80 pcs.
Cabinet width up to 900 mm	<b>AM_ M3_OXXXRRRR</b>	a single drawer	40 pcs.
Cabinet width up to 1200 mm	<b>AM_ M3_OXXXRRRR</b>	a single drawer	40 pcs.

SIDE PROFILE H 180 mm 3-SIDED DRAWER	PART NUMBER	BOX	PALLET
Cabinet width up to 600 mm	<b>AM_ A3_OXXXRRRR</b>	a single drawer	80 pcs.
Cabinet width up to 900 mm	<b>AM_ A3_OXXXRRRR</b>	a single drawer	40 pcs.
Cabinet width up to 1200 mm	<b>AM_ A3_OXXXRRRR</b>	a single drawer	40 pcs.

SIDE PROFILE H 77 mm 3-SIDED DRAWER	PART NUMBER	BOX	PALLET
Cabinet width up to 600 mm	<b>AM_ B3_OXXXRRRR</b>	a single drawer	80 pcs.
Cabinet width up to 900 mm	<b>AM_ B3_OXXXRRRR</b>	a single drawer	40 pcs.
Cabinet width up to 1200 mm	<b>AM_ B3_OXXXRRRR</b>	a single drawer	40 pcs.

Part number composition (example):

**AM13B360XXXRRRR** ← Internal width of the cabinet - 17

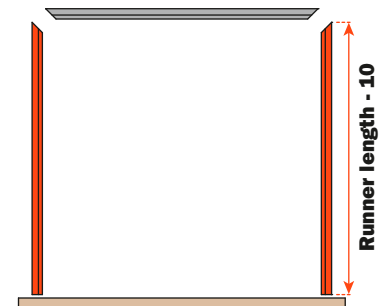
- 1 = Self Closing
- 2 = Smove
- 3 = Push

- 1 = 1D Clip
- 3 = 3D Clip

- 1 = White
- 6 = Titanium
- C = Champagne
- I = Stainless steel

Runner length - 10

RUNNER LENGTH
250
270
300
350
400
450
470
500
550
600



Minimum order quantity: 10 boxes for each dimension

# Lineabox - 2-sided - H 104 mm

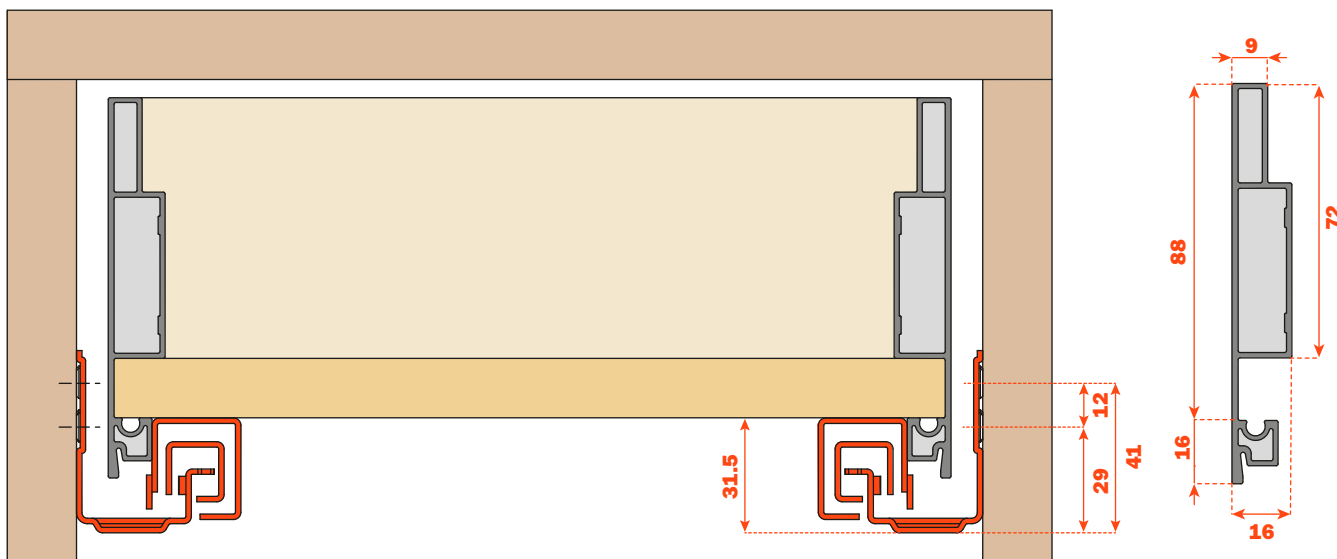


**Lineabox metal sides, wooden frontal and back panel.**  
**Height of the side 104 mm - Internal height 72 mm.**  
**For use with Futura full-extension runners: 655 - 6557 - 6555**  
**(consult the general catalogue "Runners and drawers").**

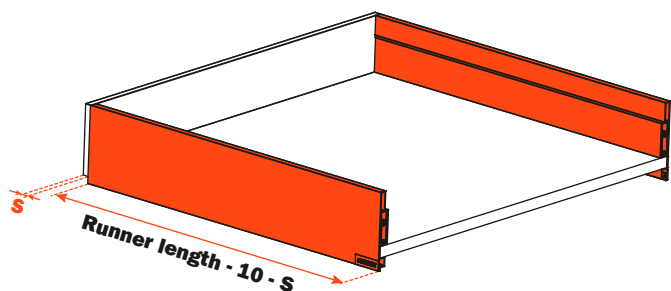
- Rapid assembly system, with no machinery or templates needed.
- Rapid mounting and removal of drawer frontal.
- Height, sideways and depth adjustment of the drawer incorporated in the runner fixing clips.
- Bottom thickness:
  - 16 mm
  - 15 mm with insert SMGP15X4XA
- Material: Aluminium
- Sides: 90° cut end
- Finishes:
  - Stainless steel
  - Champagne
  - Titanium
  - White

## Dimensions with Futura full-extension runners

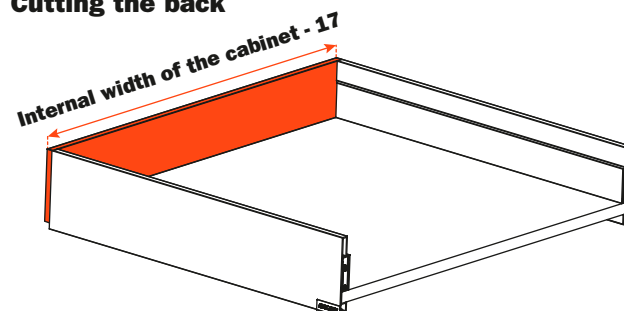
## Thickness of the metal side



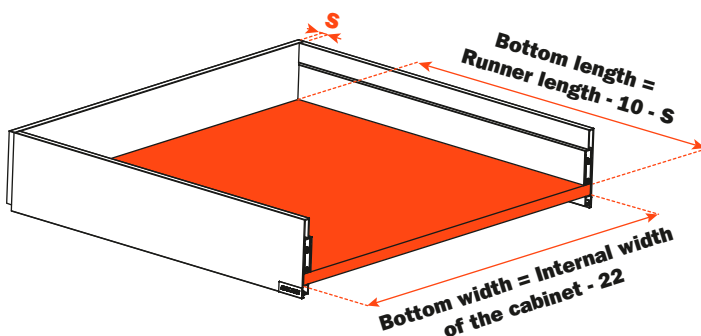
## Cutting the sides



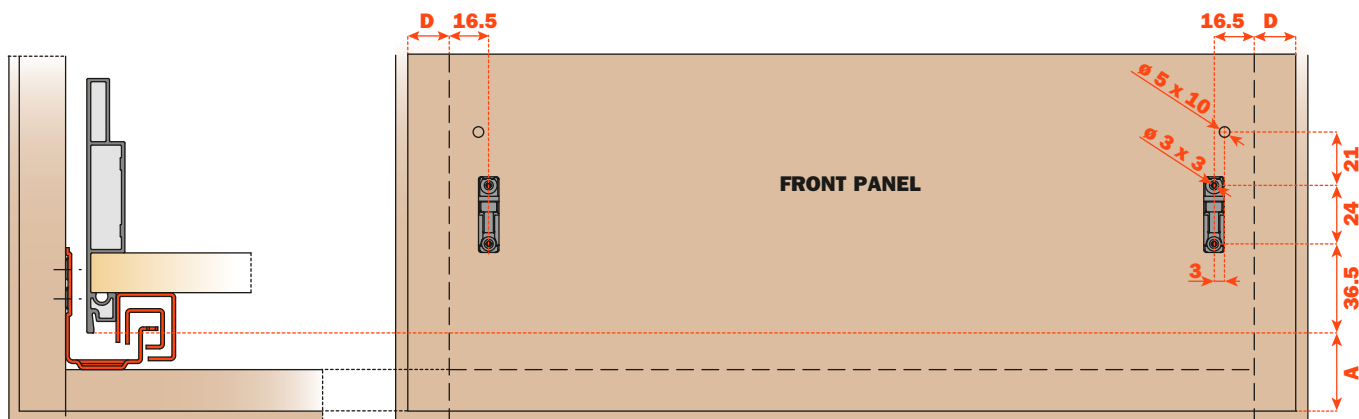
## Cutting the back



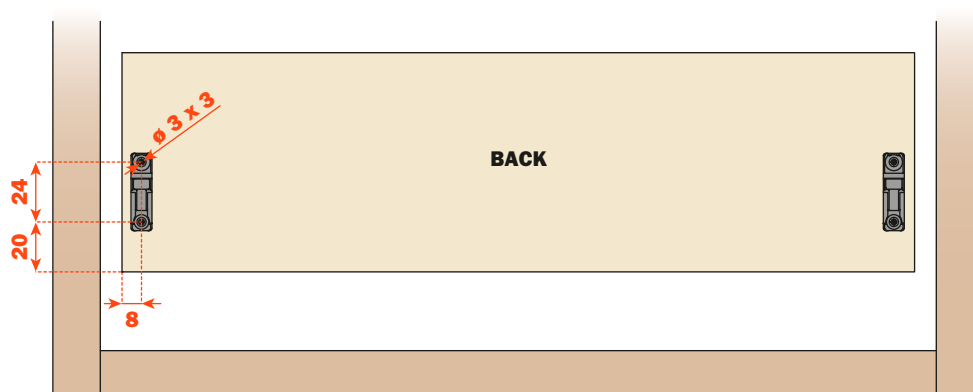
## Cutting the bottom



Frontal drilling

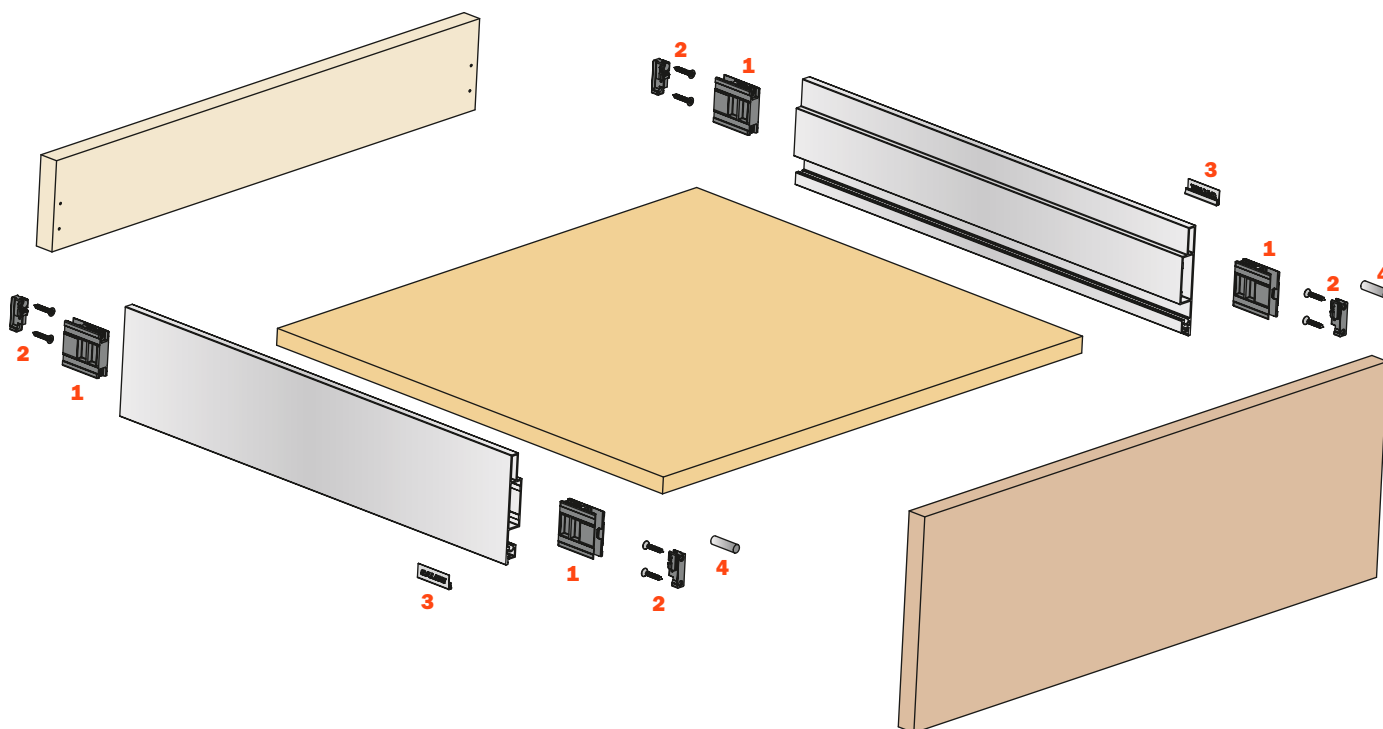


Back drilling

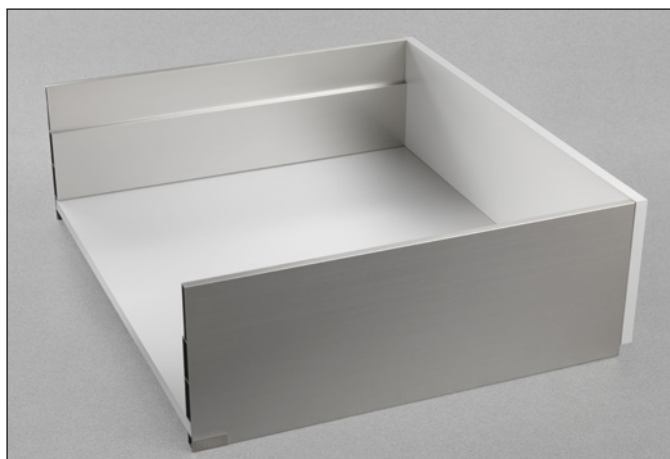


Elements of the drawer

- |   |                       |
|---|-----------------------|
| <b>1</b> Frontal connecting fitting <b>AMGPXA3</b>  | Nr. 4 pcs.            |
| <b>2</b> Frontal fixing <b>SMGP12A3XA</b>   | Nr. 4 pcs.            |
| <b>3</b> Cover cap<br>(With embossed logo <b>SCCX83H9</b> - With silk-screen printed logo <b>SCXX83H9</b> )             | Nr. 2 pcs. (optional) |
| <b>4</b> Stabilizer pin for 2-sided drawers $\varnothing$ 6 mm<br>Frontal drilling $\varnothing$ 5 mm <b>SMGP21X4XA</b> | Nr. 2 pcs. (optional) |



# Lineabox - 2-sided - H 180 mm

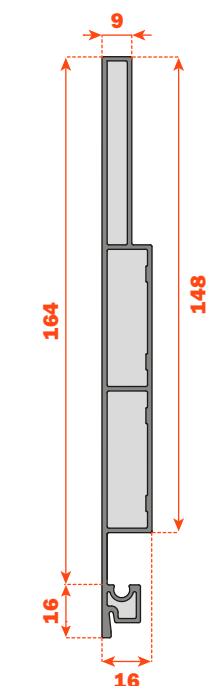
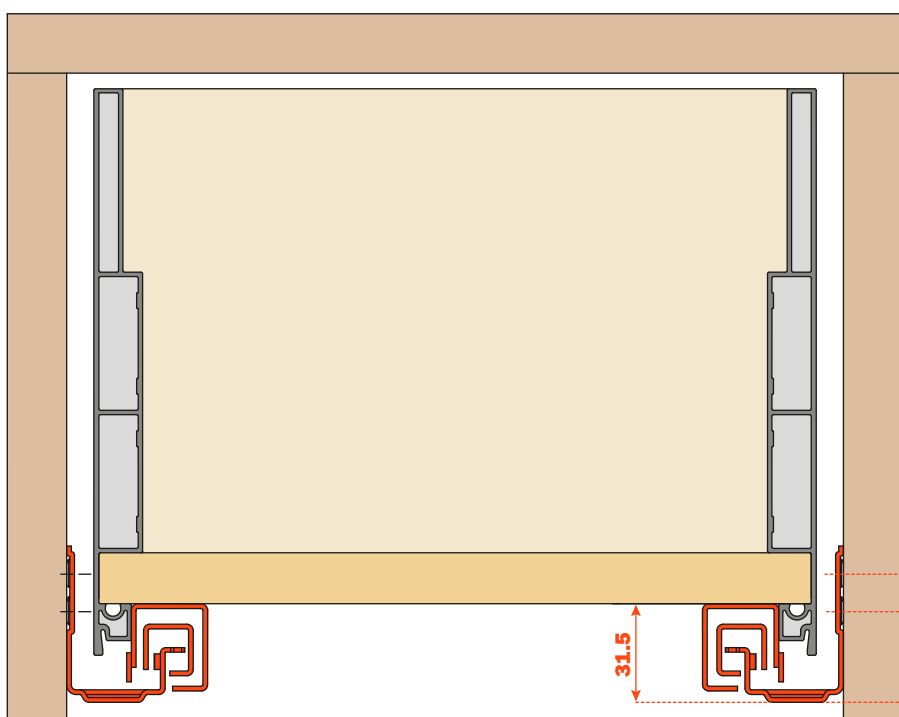


**Lineabox metal sides, wooden frontal and back panel.**  
**Height of the side 180 mm - Internal height 148 mm.**  
**For use with Futura full-extension runners: 655 - 6557 - 6555**  
**(consult the general catalogue "Runners and drawers").**

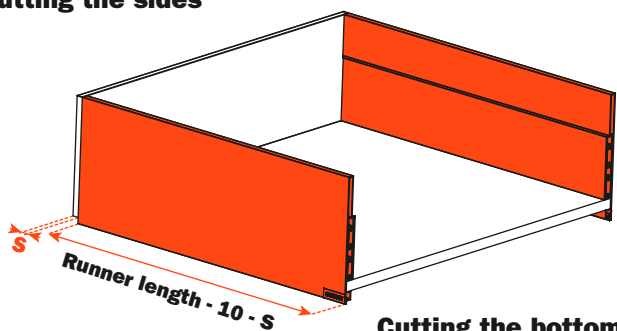
- Rapid assembly system, with no machinery or templates needed.
- Rapid mounting and removal of drawer frontal.
- Height, sideways and depth adjustment of the drawer incorporated in the runner fixing clips.
- Bottom thickness:
  - 16 mm
  - 15 mm with insert SMGP15X4XA
- Material: Aluminium
- Sides: 90° cut end
- Finishes:
  - Stainless steel
  - Champagne
  - Titanium
  - White

## Dimensions with Futura full-extension runners

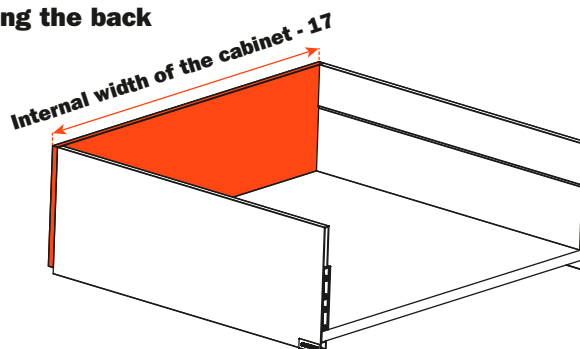
## Thickness of the metal side



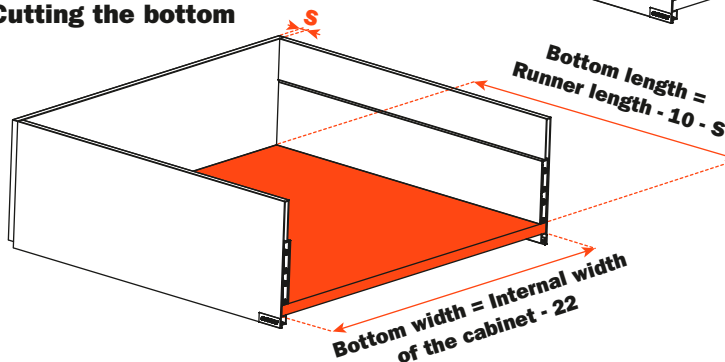
## Cutting the sides



## Cutting the back

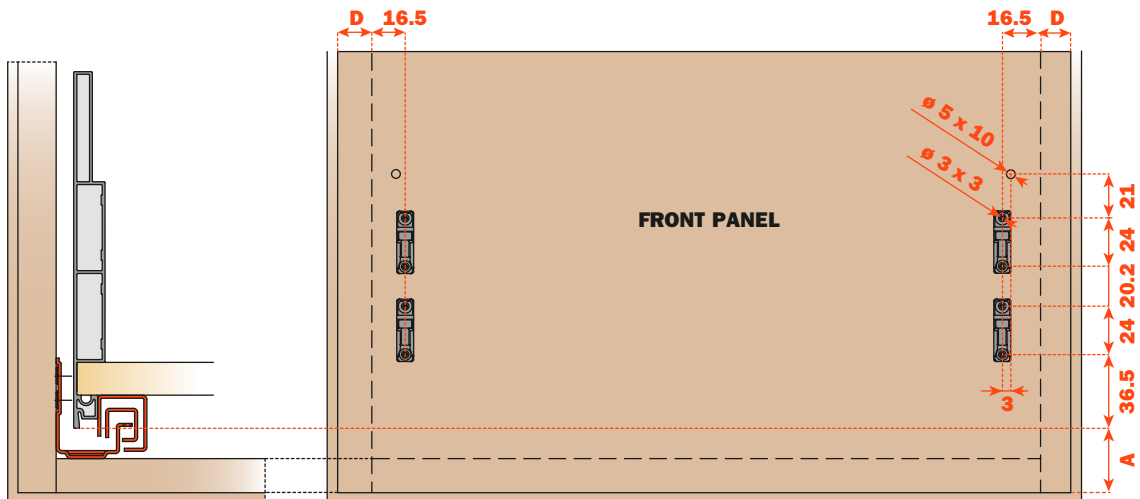


## Cutting the bottom





Frontal drilling

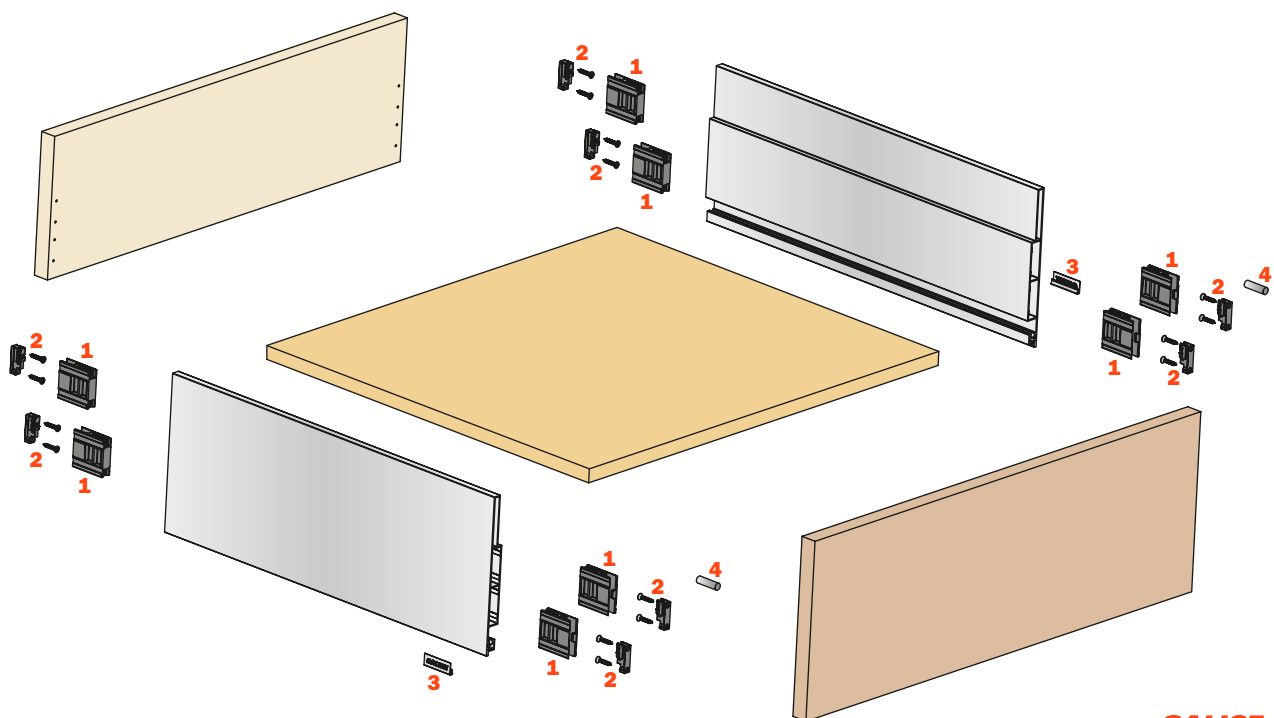


Back drilling



Elements of the drawer

- |   |                       |
|---|-----------------------|
| <b>1</b> Frontal connecting fitting <b>AMGPXA3</b>  | Nr. 8 pcs.            |
| <b>2</b> Frontal fixing <b>SMGP12A3XA</b>   | Nr. 8 pcs.            |
| <b>3</b> Cover cap<br>(With embossed logo <b>SCCX83H9</b> - With silk-screen printed logo <b>SCXX83H9</b> ) | Nr. 2 pcs. (optional) |
| <b>4</b> Stabilizer pin for 2-sided drawers $\phi$ 6 mm<br>Frontal drilling $\phi$ 5 mm <b>SMGP21X4XA</b>   | Nr. 2 pcs. (optional) |



# Lineabox - 2-sided - H 77 mm

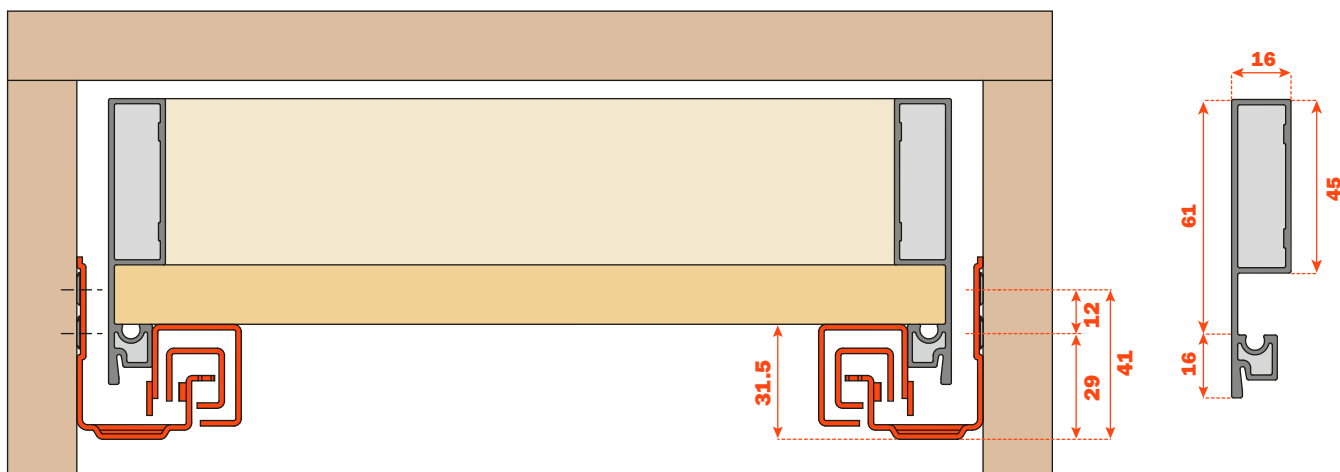


**Lineabox metal sides, wooden frontal and back panel.**  
**Height of the side 77 mm - Internal height 45 mm.**  
**For use with Futura full-extension runners: 655 - 657 - 6555**  
**(consult the general catalogue "Runners and drawers").**

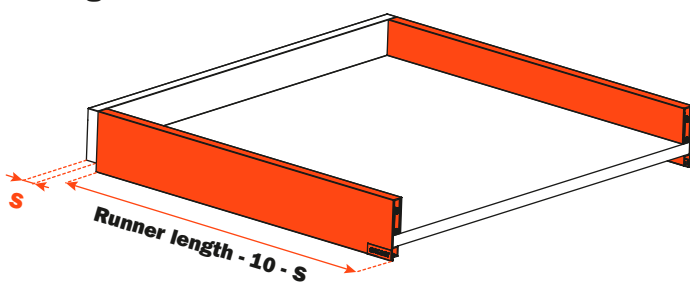
- Rapid assembly system, with no machinery or templates needed.
- Rapid mounting and removal of drawer frontal.
- Height, sideways and depth adjustment of the drawer incorporated in the runner fixing clips.
- Bottom thickness:
  - 16 mm
  - 15 mm with insert SMGP15X4XA
- Material: Aluminium
- Sides: 90° cut end
- Finishes:
  - Stainless steel
  - Champagne
  - Titanium
  - White

## Dimensions with Futura full-extension runners

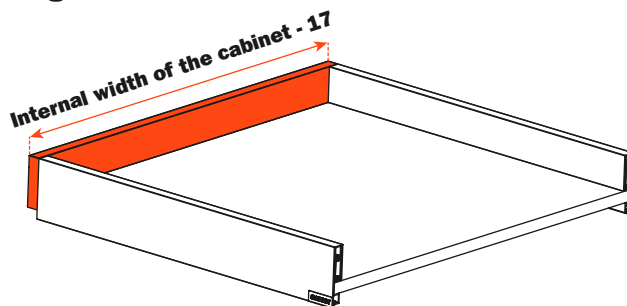
## Thickness of the metal side



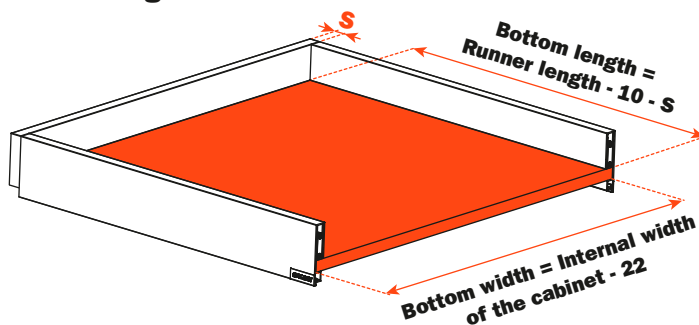
## Cutting the sides



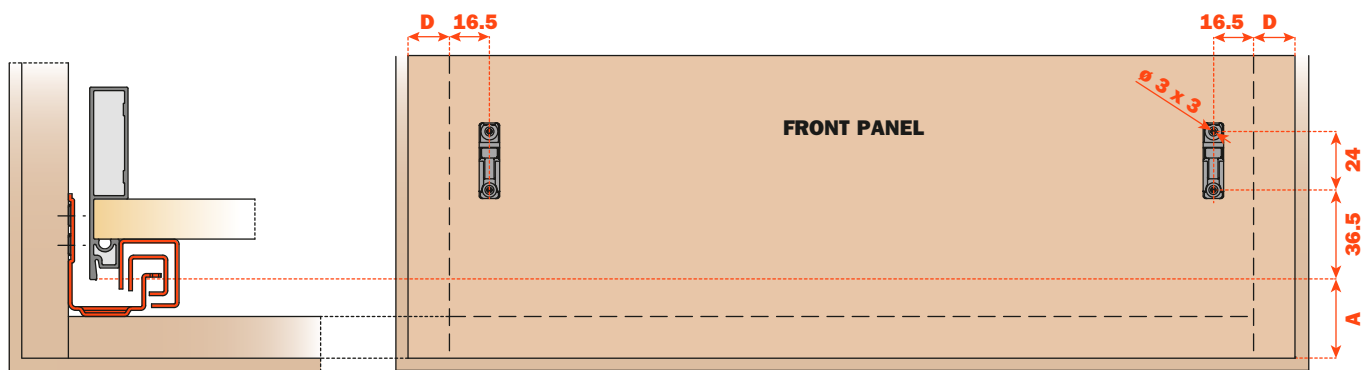
## Cutting the back



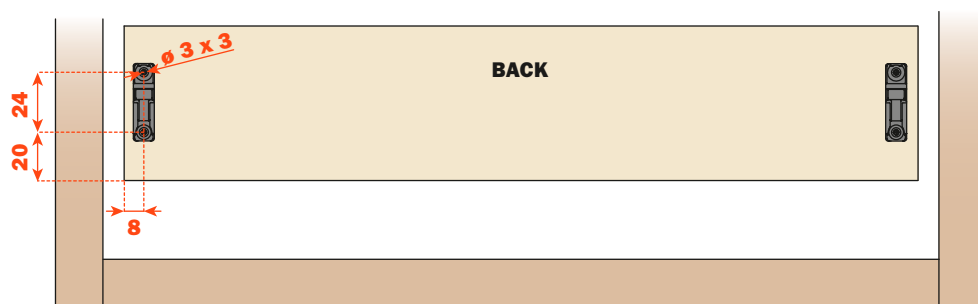
## Cutting the bottom



Frontal drilling

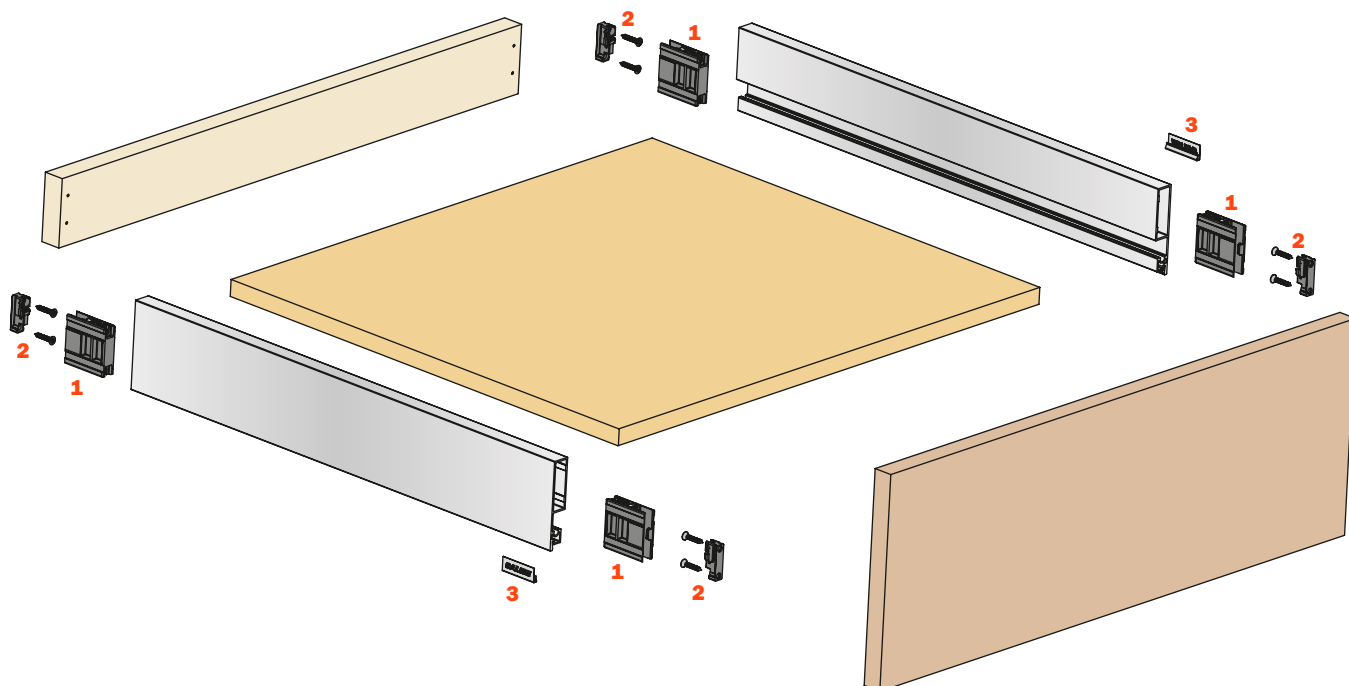


Back drilling

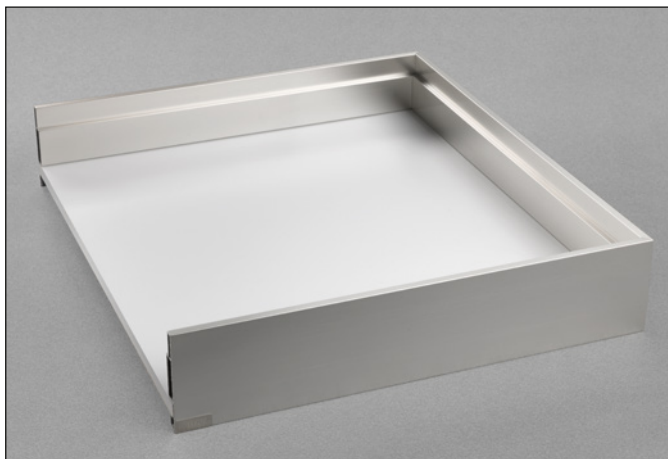


Elements of the drawer

- |   |                       |
|---|-----------------------|
| <b>1</b> Frontal connecting fitting <b>AMGPXA3</b>  | Nr. 4 pcs.            |
| <b>2</b> Frontal fixing <b>SMGP12A3XA</b>   | Nr. 4 pcs.            |
| <b>3</b> Cover cap<br>(With embossed logo <b>SCCX83H9</b> - With silk-screen printed logo <b>SCXX83H9</b> ) | Nr. 2 pcs. (optional) |



# Lineabox - 3-sided - H 104 mm

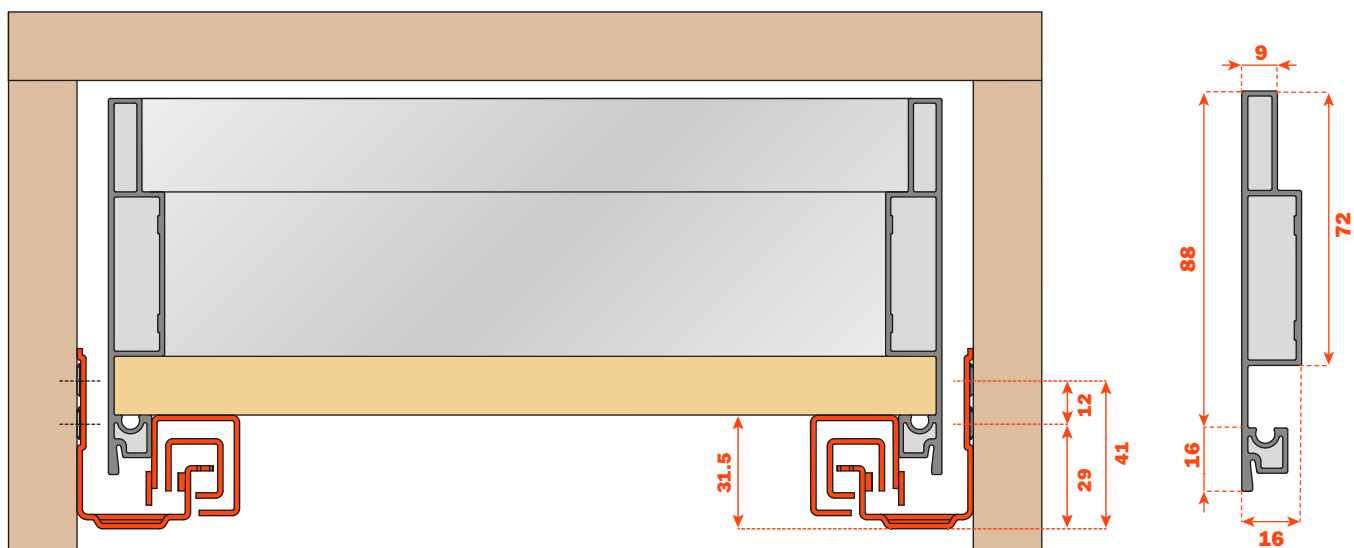


**Height of the side 104 mm - Internal height 72 mm.**  
**For use with Futura full-extension runners: 655 - 6557 - 6555**  
**(consult the general catalogue "Runners and drawers").**

- Rapid assembly system, with no machinery or templates needed.
- Rapid mounting and removal of drawer frontal.
- The back can be personalised according the width of the cabinet.
- Height, sideways and depth adjustment of the drawer incorporated in the runner fixing clips.
- Bottom thickness:
  - 16 mm
  - 15 mm with insert SMGP15X4XA
- Material: Aluminium
- Sides and back: 45° mitre cut end
- Finishes:
  - Stainless steel
  - Champagne
  - Titanium
  - White

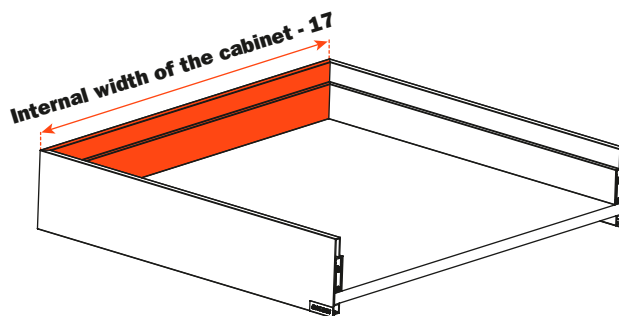
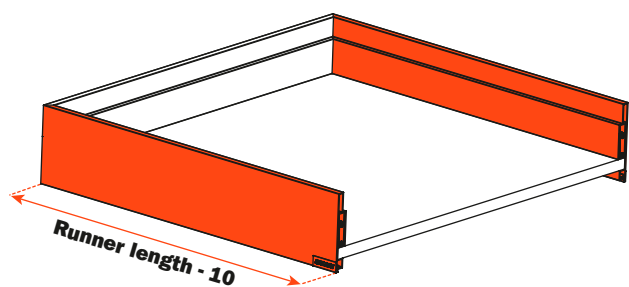
## Dimensions with Futura full-extension runners

## Thickness of the metal side

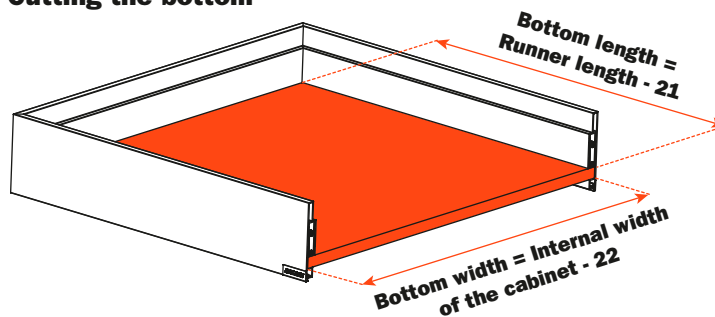


## Cutting the sides

## Cutting the back

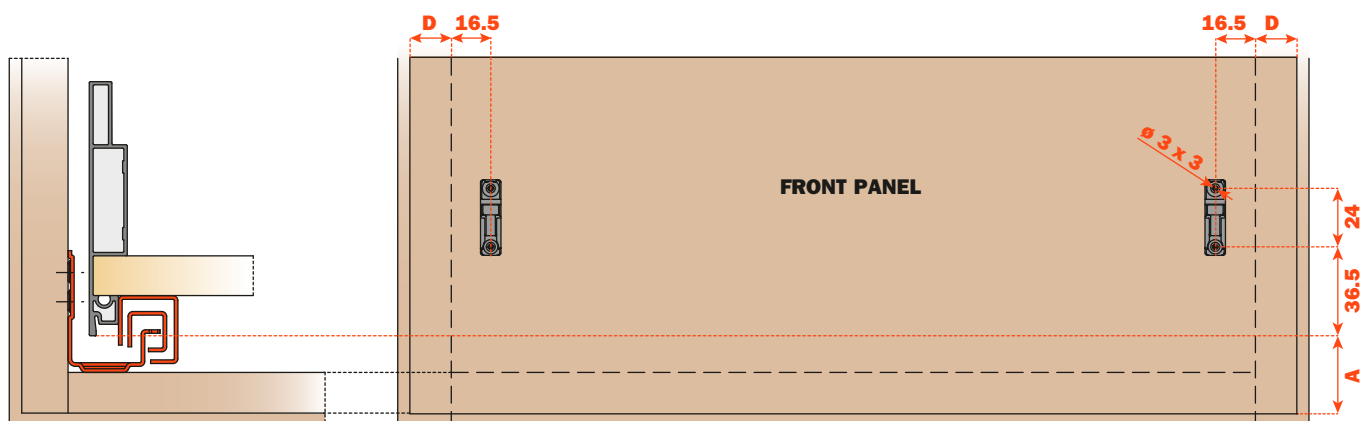


## Cutting the bottom



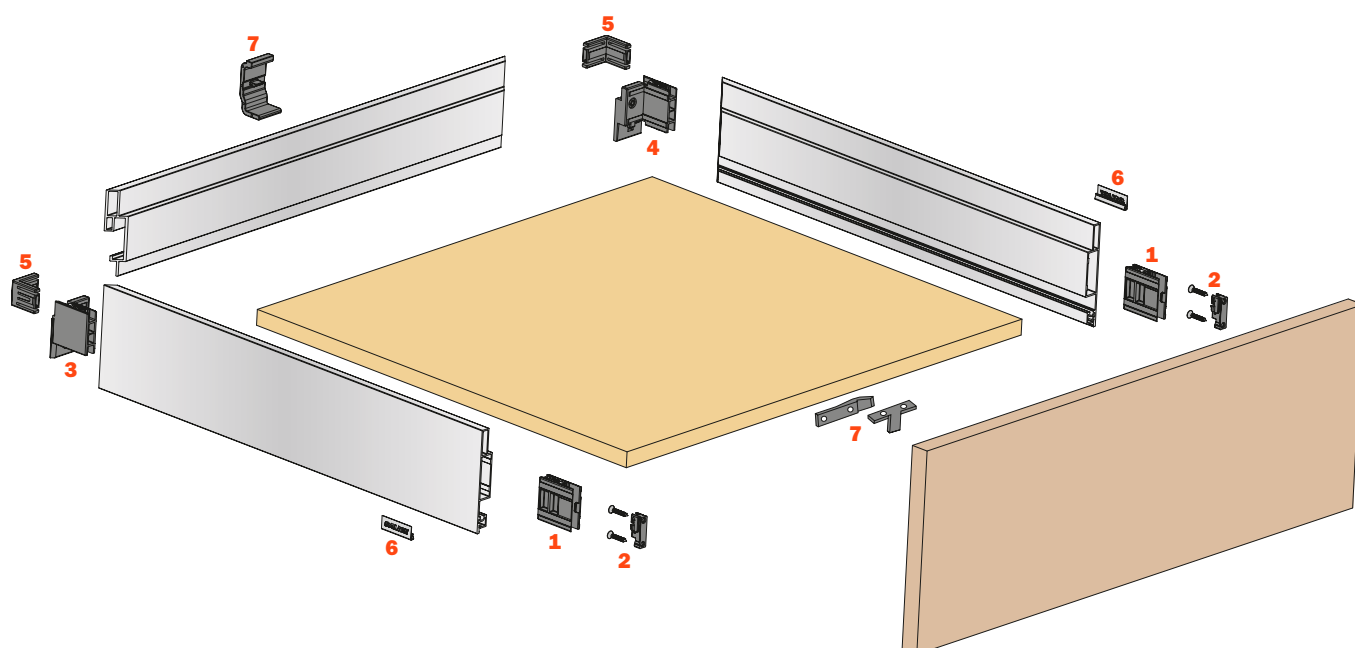


Frontal drilling



Elements of the drawer

- |   |                               |
|---|-------------------------------|
| <b>1</b> Frontal connecting fitting <b>AMGPXA3</b>  | Nr. 2 pcs.                    |
| <b>2</b> Frontal fixing <b>SMGP12A3XA</b>   | Nr. 2 pcs.                    |
| <b>3</b> Left back connecting fitting <b>AMGPSP3</b>  | Nr. 1 pcs.                    |
| <b>4</b> Right back connecting fitting <b>AMGPDP3</b>   | Nr. 1 pcs.                    |
| <b>5</b> Medium corner connector <b>SMGP89P3MA</b>  | Nr. 2 pcs.                    |
| <b>6</b> Cover cap<br>(With embossed logo <b>SCCX83H9</b> - With silk-screen printed logo <b>SCXX83H9</b> ) | Nr. 2 pcs. (optional)         |
| <b>7</b> Reinforcing supports for the bottom of the drawer <b>AMSRX33</b>                                   | Nr. 1 Set = 3 pcs. (optional) |



# Lineabox - 3-sided - H 180 mm

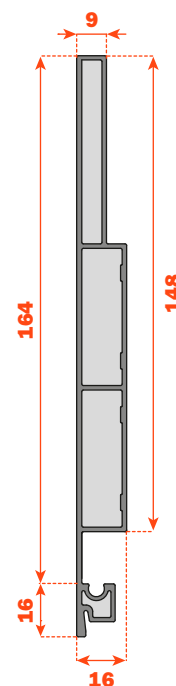
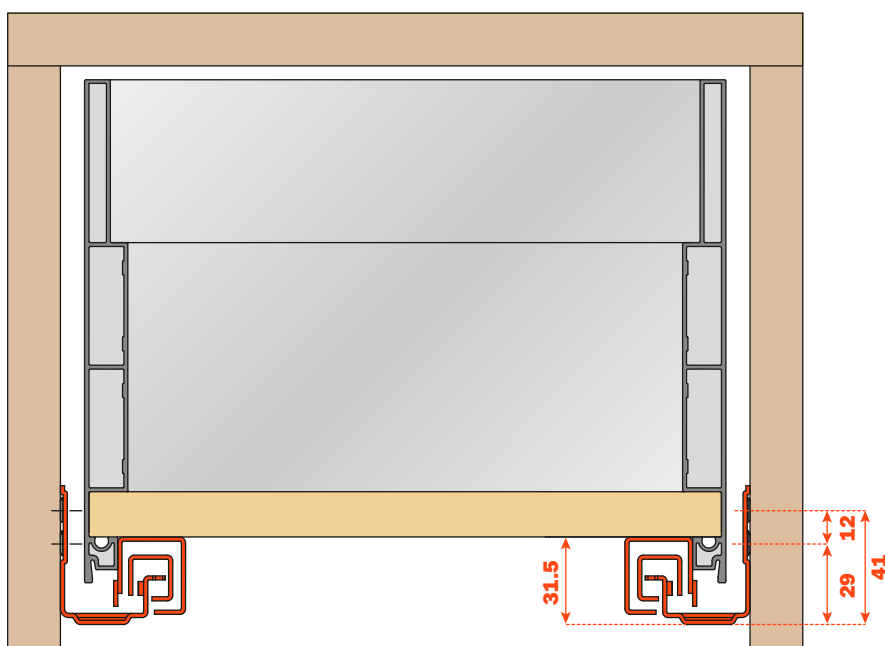


**Height of the side 180 mm - Internal height 148 mm.**  
**For use with Futura full-extension runners: 655 - 6557 - 6555**  
**(consult the general catalogue "Runners and drawers").**

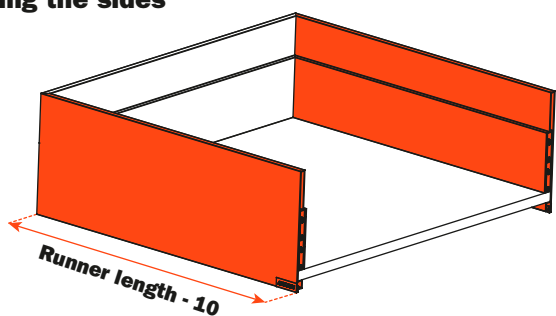
- Rapid assembly system, with no machinery or templates needed.
- Rapid mounting and removal of drawer frontal.
- The back can be personalised according the width of the cabinet.
- Height, sideways and depth adjustment of the drawer incorporated in the runner fixing clips.
- Bottom thickness:
  - 16 mm
  - 15 mm with insert SMGP15X4XA
- Material: Aluminium
- Sides and back: 45° mitre cut end
- Finishes:
  - Stainless steel
  - Champagne
  - Titanium
  - White

## Dimensions with Futura full-extension runners

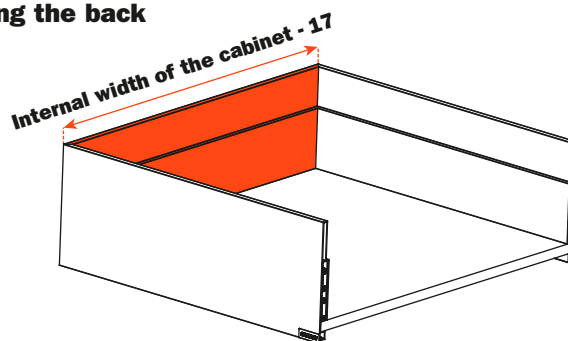
## Thickness of the metal side



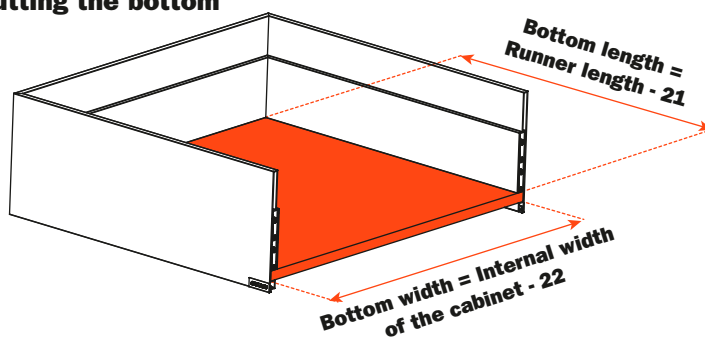
## Cutting the sides



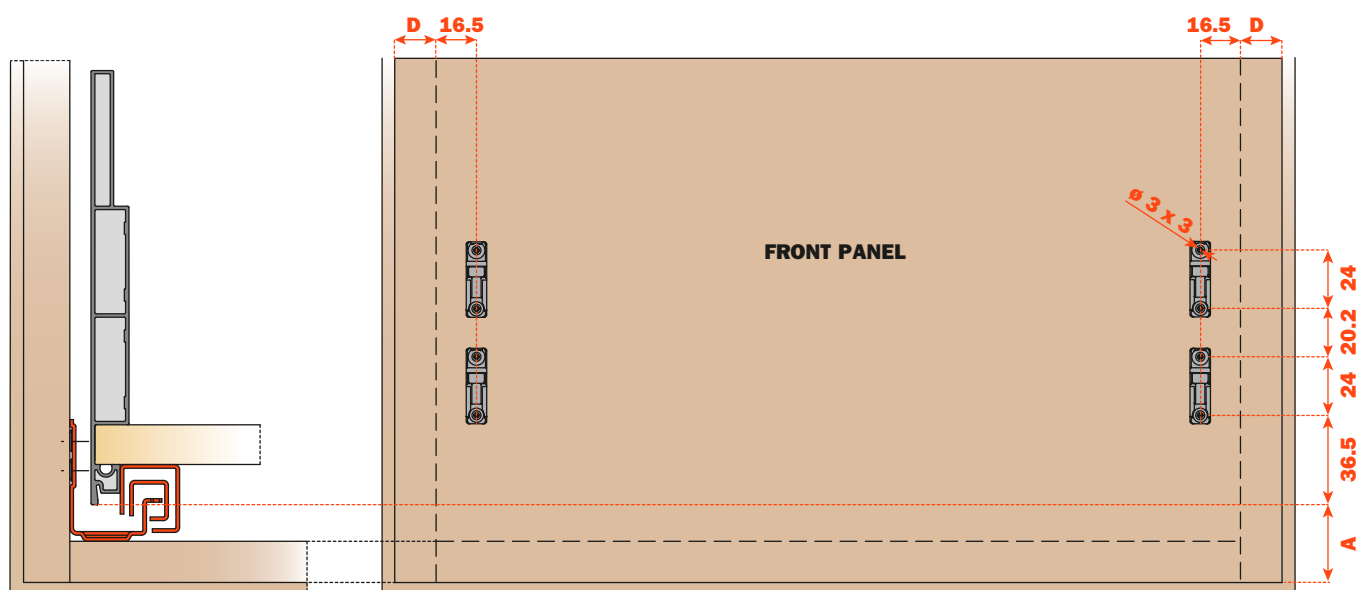
## Cutting the back



## Cutting the bottom

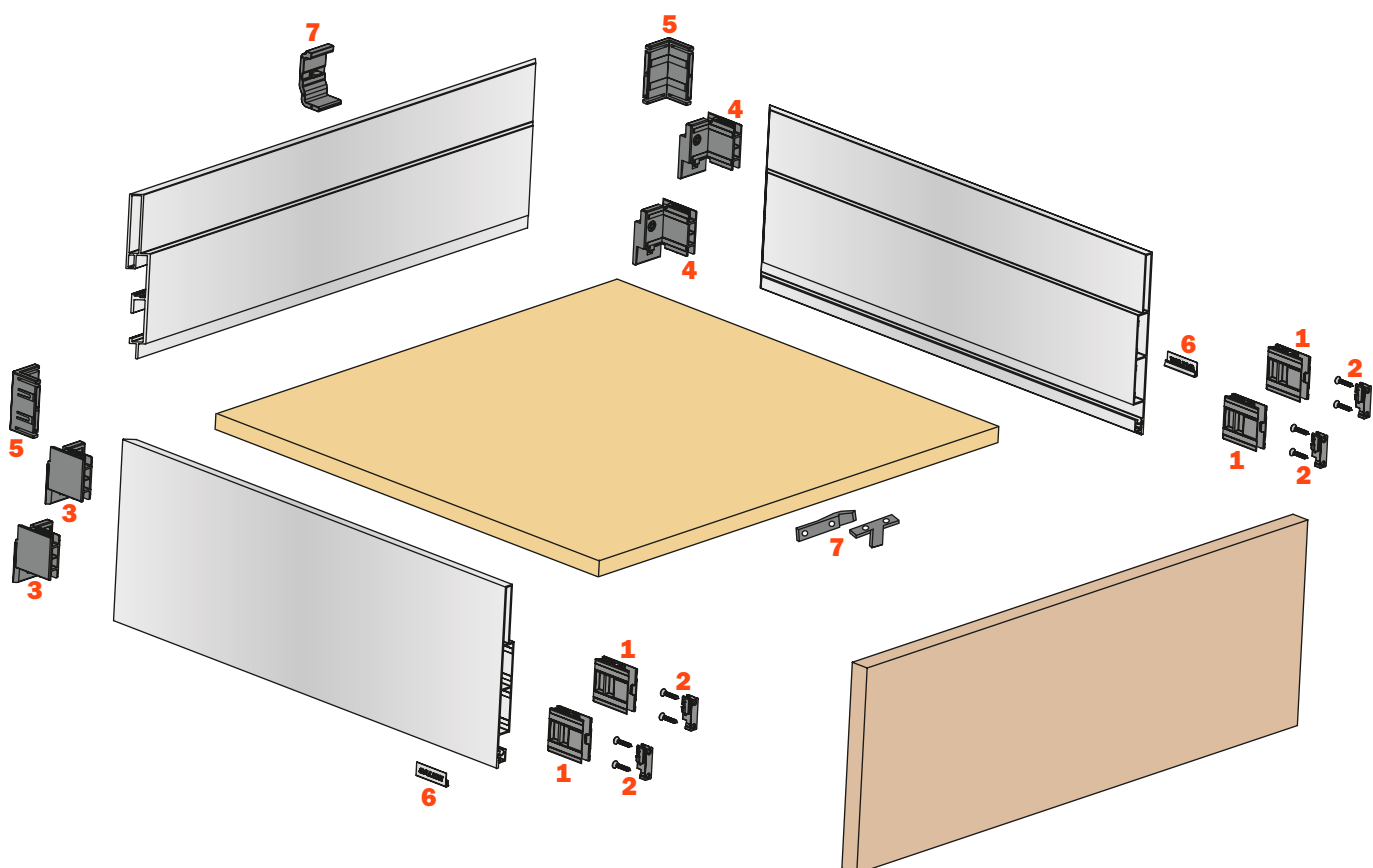


Frontal drilling



Elements of the drawer

- |   |                               |
|---|-------------------------------|
| <b>1</b> Frontal connecting fitting <b>AMGPXA3</b>  | Nr. 4 pcs.                    |
| <b>2</b> Frontal fixing <b>SMGP12A3XA</b>   | Nr. 4 pcs.                    |
| <b>3</b> Left back connecting fitting <b>AMGPSP3</b>  | Nr. 2 pcs.                    |
| <b>4</b> Right back connecting fitting <b>AMGPDP3</b>   | Nr. 2 pcs.                    |
| <b>5</b> High corner connector <b>SMGP89P3AA</b>  | Nr. 2 pcs.                    |
| <b>6</b> Cover cap<br>(With embossed logo <b>SCCX83H9</b> - With silk-screen printed logo <b>SCXX83H9</b> ) | Nr. 2 pcs. (optional)         |
| <b>7</b> Reinforcing supports for the bottom of the drawer <b>AMSRX33</b>                                   | Nr. 1 Set = 3 pcs. (optional) |



# Lineabox - 3-sided - H 77 mm

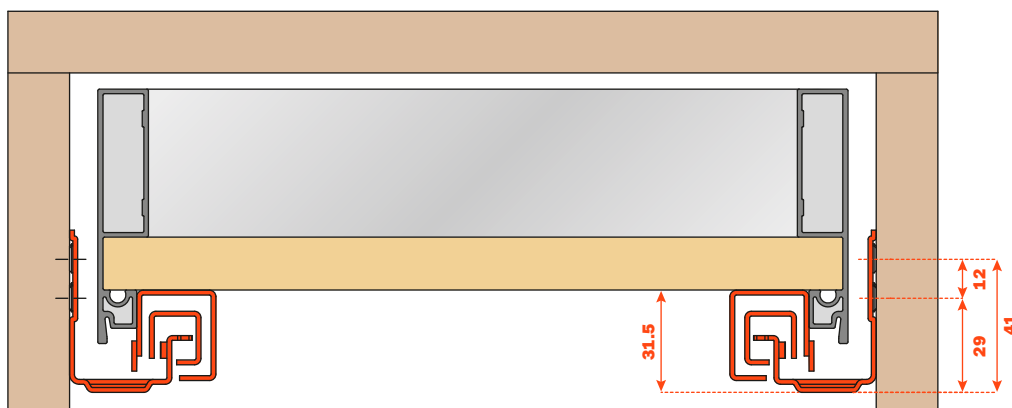


**Height of the side 77 mm - Internal height 45 mm.**  
**For use with Futura full-extension runners: 655 - 6557 - 6555**  
**(consult the general catalogue "Runners and drawers").**

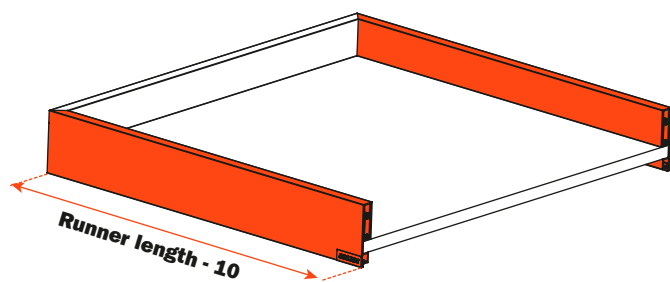
- Rapid assembly system, with no machinery or templates needed.
- Rapid mounting and removal of drawer frontal.
- The back can be personalised according the width of the cabinet.
- Height, sideways and depth adjustment of the drawer incorporated in the runner fixing clips.
- Bottom thickness:
  - 16 mm
  - 15 mm with insert SMGP15X4XA
- Material: Aluminium
- Sides and back: 45° mitre cut end
- Finishes:
  - Stainless steel
  - Champagne
  - Titanium
  - White

## Dimensions with Futura full-extension runners

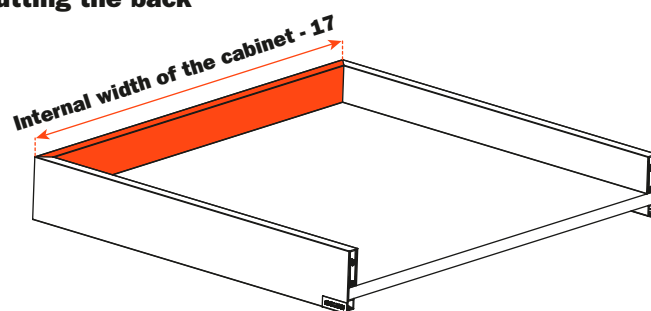
## Thickness of the metal side



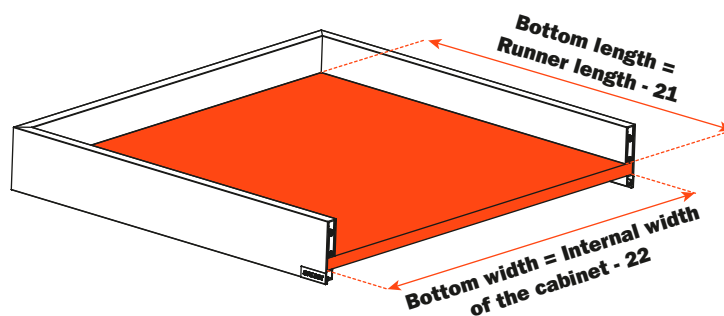
## Cutting the sides



## Cutting the back

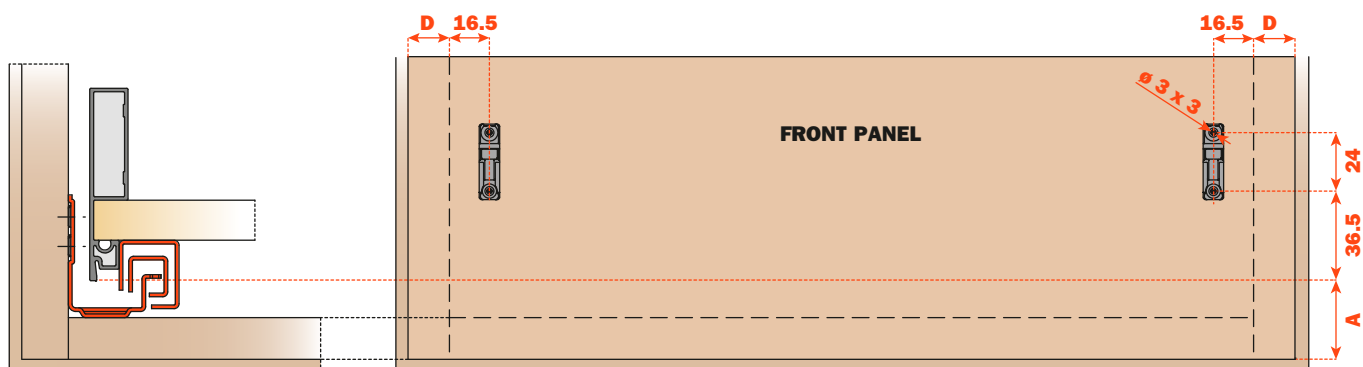


## Cutting the bottom



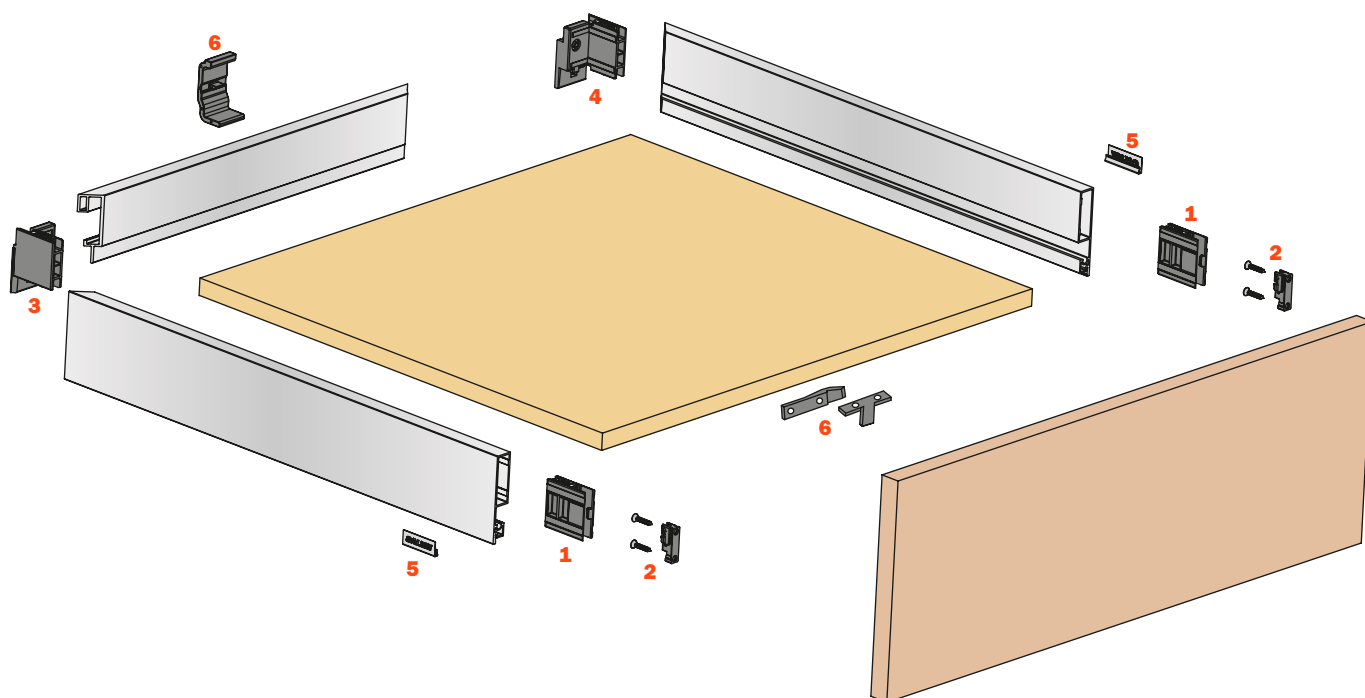


Frontal drilling



Elements of the drawer

- |   |                               |
|---|-------------------------------|
| <b>1</b> Frontal connecting fitting <b>AMGPXA3</b>  | Nr. 2 pcs.                    |
| <b>2</b> Frontal fixing <b>SMGP12A3XA</b>   | Nr. 2 pcs.                    |
| <b>3</b> Left back connecting fitting <b>AMGPSP3</b>  | Nr. 1 pcs.                    |
| <b>4</b> Right back connecting fitting <b>AMGPDP3</b>   | Nr. 1 pcs.                    |
| <b>5</b> Cover cap<br>(With embossed logo <b>SCCX83H9</b> - With silk-screen printed logo <b>SCXX83H9</b> ) | Nr. 2 pcs. (optional)         |
| <b>6</b> Reinforcing supports for the bottom of the drawer <b>AMSRX33</b>                                   | Nr. 1 Set = 3 pcs. (optional) |



# Lineabox - 4-sided - H 104 mm



**Height of the frontal 120 mm - Height of the side 104 mm  
Internal height 72 mm.**

**For use with Futura full-extension runners: 655 - 6557 - 6555  
(consult the general catalogue "Runners and drawers").**

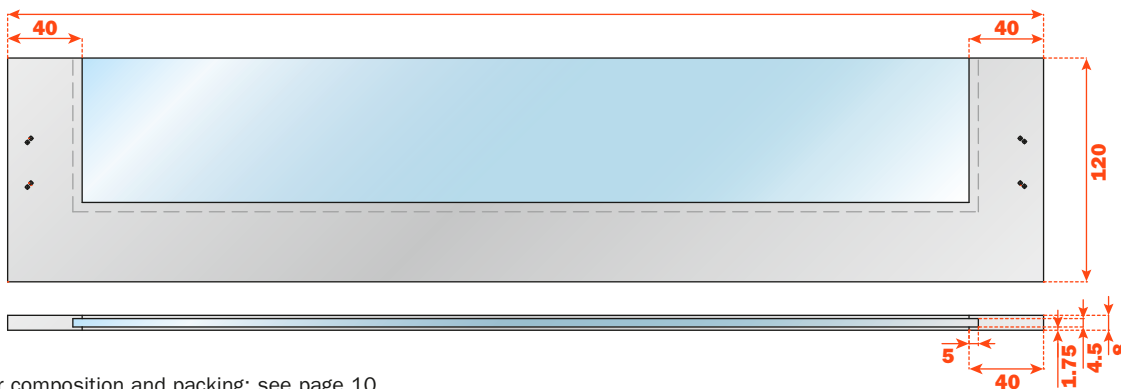
- Rapid assembly system, with no machinery or templates needed.
- Rapid mounting and removal of drawer frontal.
- The back can be personalised according the width of the cabinet.
- Height, sideways and depth adjustment of the drawer incorporated in the runner fixing clips.
- Bottom thickness:
  - 16 mm
  - 15 mm with insert SMGP15X4XA
- Material: Aluminium
- Front profile cut to length and drilled
- Finishes: Stainless steel

## Dimensions of the front profile

**Profile width 556 mm  
Profile width 856 mm  
Profile width 1156 mm**

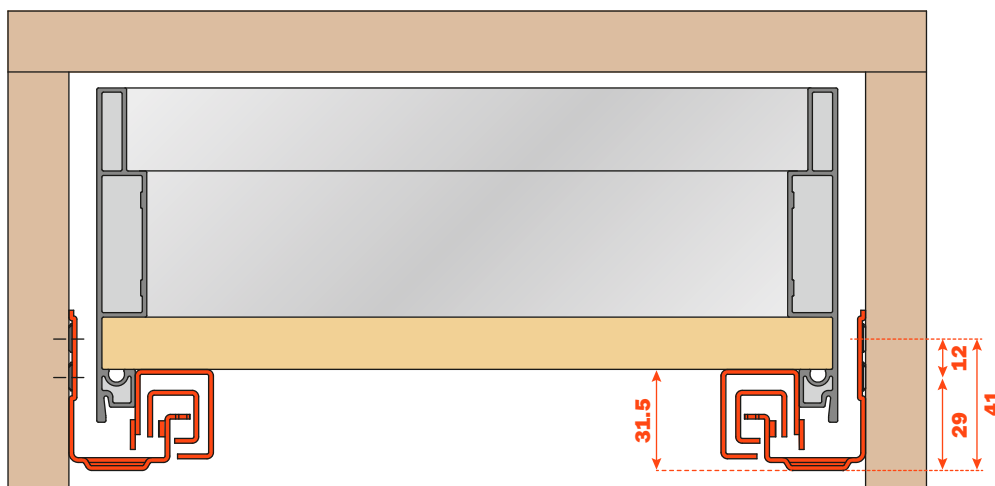


**Profile width 556 mm  
Profile width 856 mm  
Profile width 1156 mm**



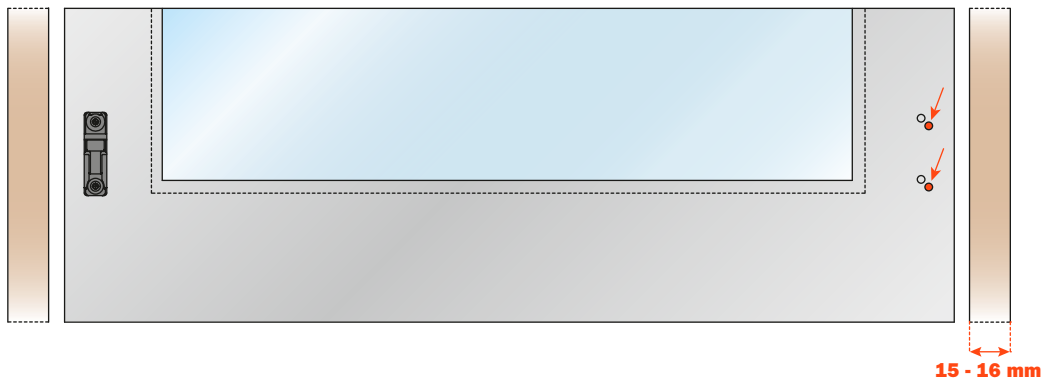
Part number composition and packing: see page 10

## Dimensions with Futura full-extension runners

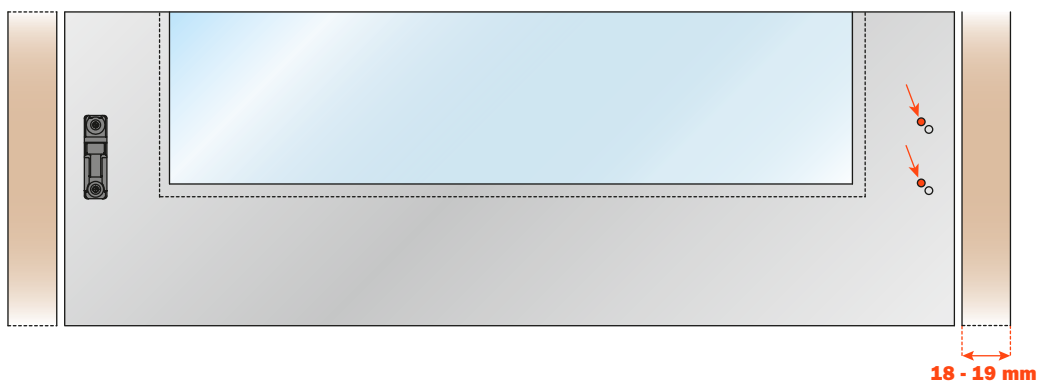


**Assembly of the frontal fixing**

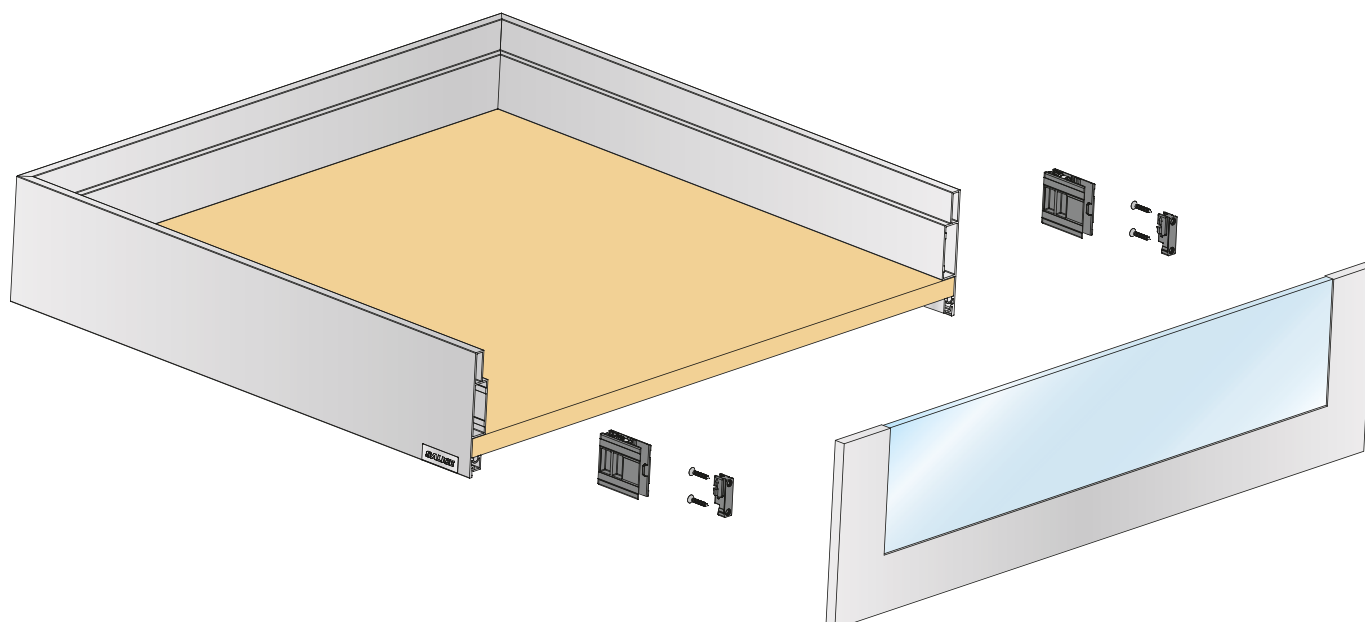
**Cabinets sides 15 - 16 mm**



**Cabinets sides 18 - 19 mm**



**Elements of the drawer**



## Lineabox - 4-sided - H 180 mm



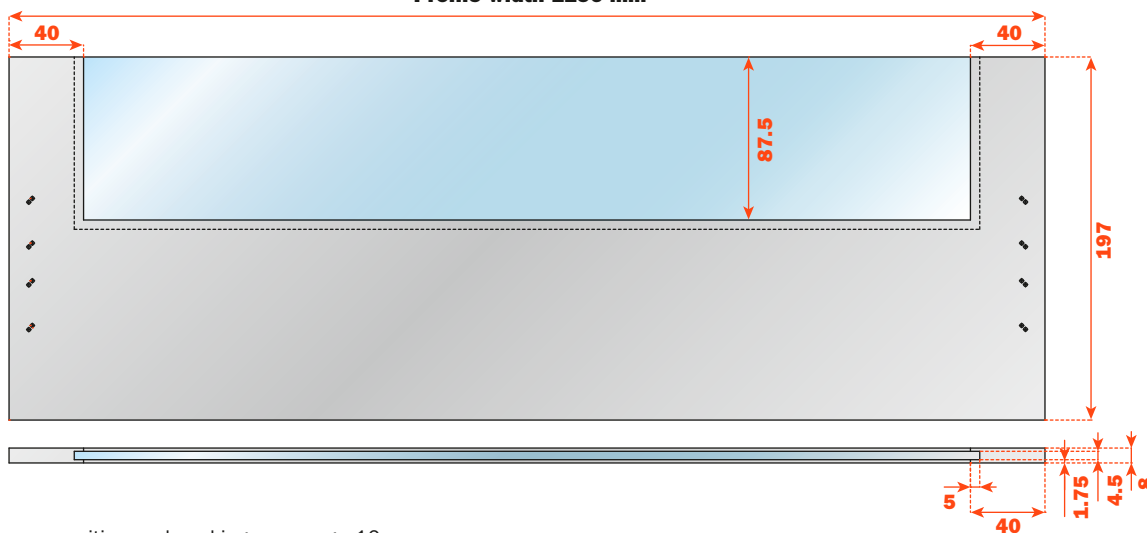
**Height of the frontal 197 mm - Height of the side 180 mm  
Internal height 148 mm.**

**For use with Futura full-extension runners: 655 - 6557 - 6555  
(consult the general catalogue "Runners and drawers").**

- Rapid assembly system, with no machinery or templates needed.
- Rapid mounting and removal of drawer frontal.
- The back can be personalised according to the width of the cabinet.
- Height, sideways and depth adjustment of the drawer incorporated in the runner fixing clips.
- Bottom thickness:
  - 16 mm
  - 15 mm with insert SMGP15X4XA
- Material: Aluminium
- Front profile cut to length and drilled
- Finishes: Stainless steel

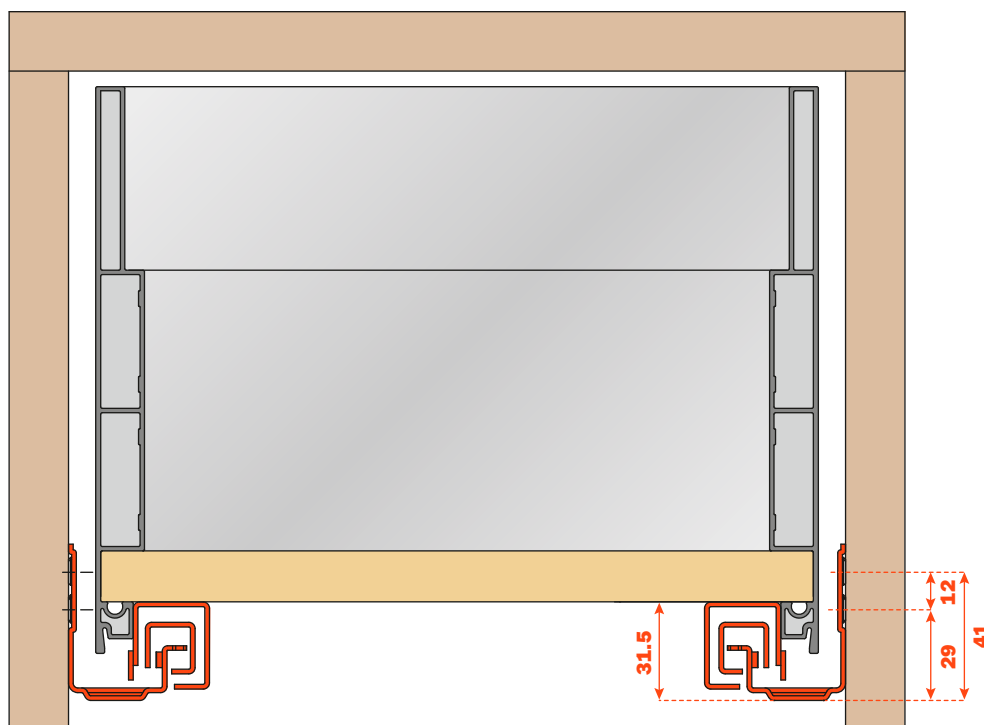
### Dimensions of the front profile

**Profile width 556 mm  
Profile width 856 mm  
Profile width 1156 mm**



Part number composition and packing: see page 10

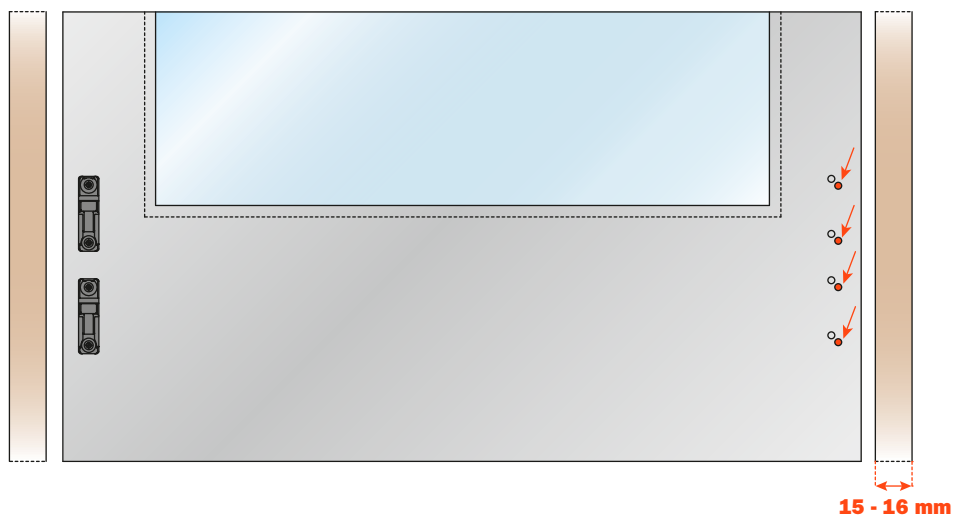
### Dimensions with Futura full-extension runners



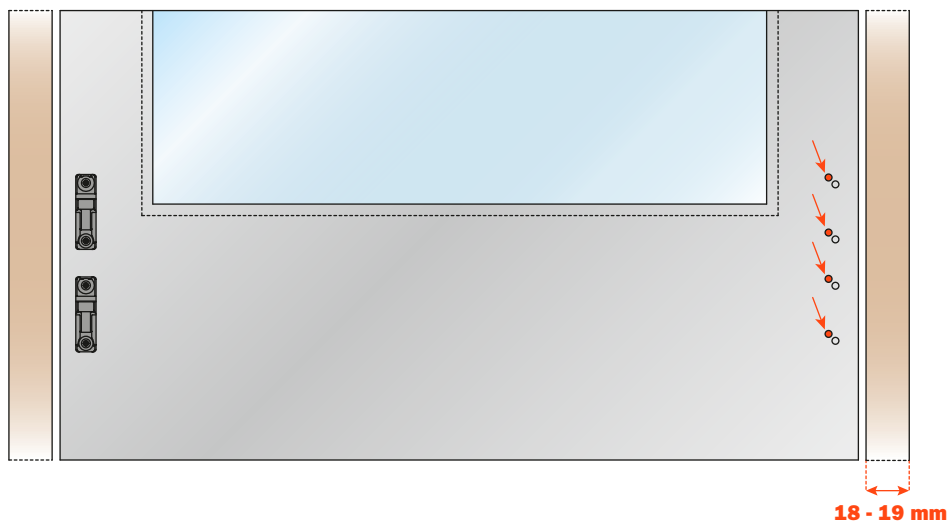


### Assembly of the frontal fixing

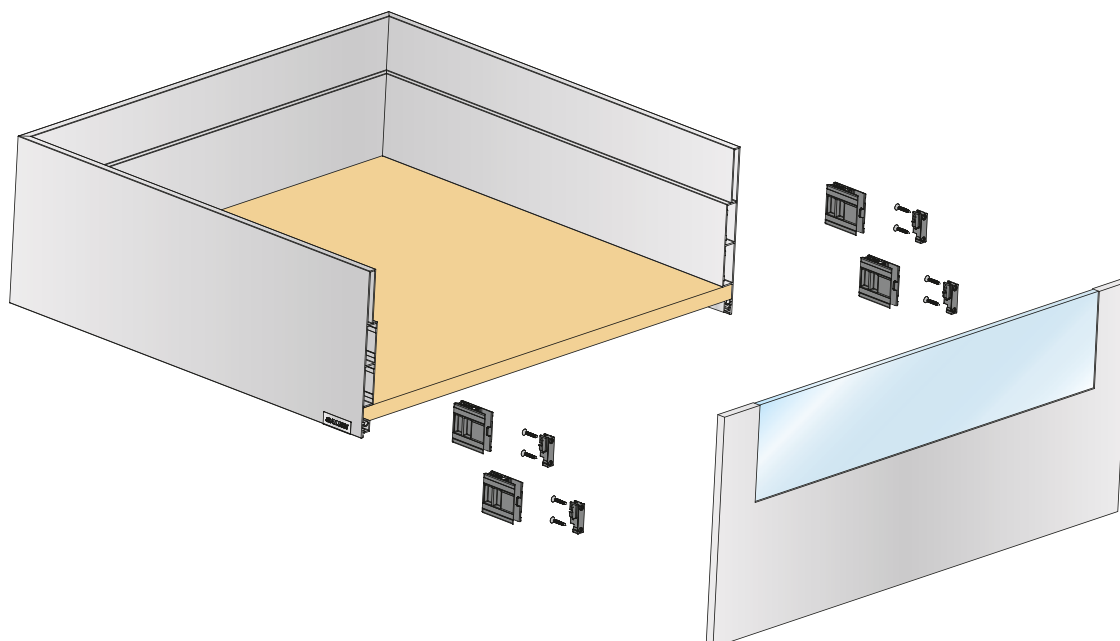
Cabinets sides 15 - 16 mm



Cabinets sides 18 - 19 mm



### Elements of the drawer



## Lineabox - 4-sided - H 77 mm

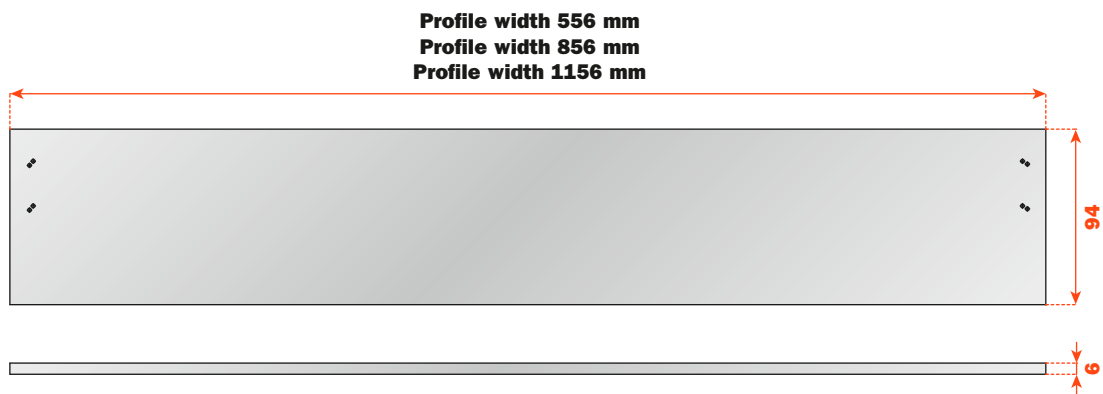


**Height of the frontal 94 mm - Height of the side 77 mm  
Internal height 45 mm.**

**For use with Futura full-extension runners: 655 - 6557 - 6555  
(consult the general catalogue "Runners and drawers").**

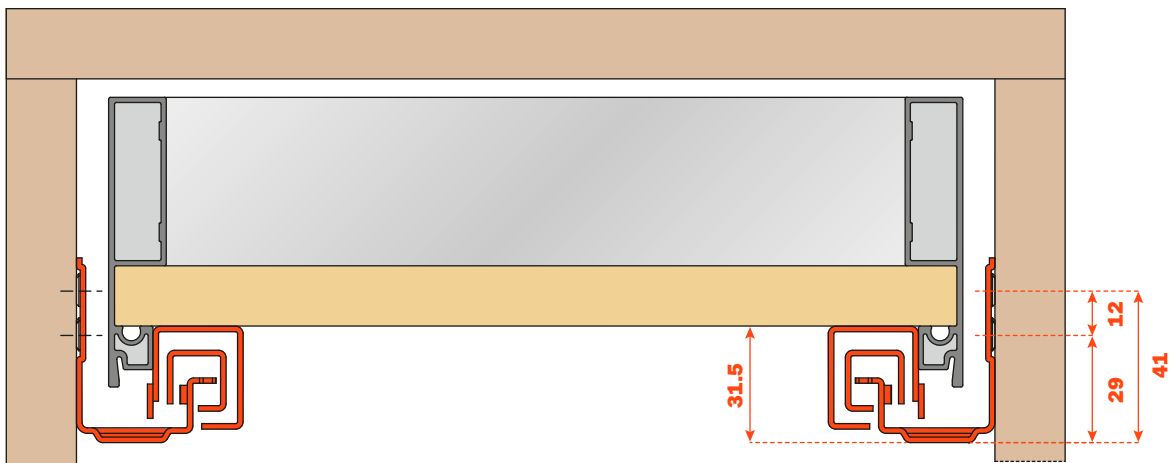
- Rapid assembly system, with no machinery or templates needed.
- Rapid mounting and removal of drawer frontal.
- The back can be personalised according the width of the cabinet.
- Height, sideways and depth adjustment of the drawer incorporated in the runner fixing clips.
- Bottom thickness:
  - 16 mm
  - 15 mm with insert SMGP15X4XA
- Material: Aluminium
- Front profile cut to length and drilled
- Finishes: Stainless steel

### Dimensions of the front profile



Part number composition and packing: see page 10

### Dimensions with Futura full-extension runners



**Assembly of the frontal fixing**

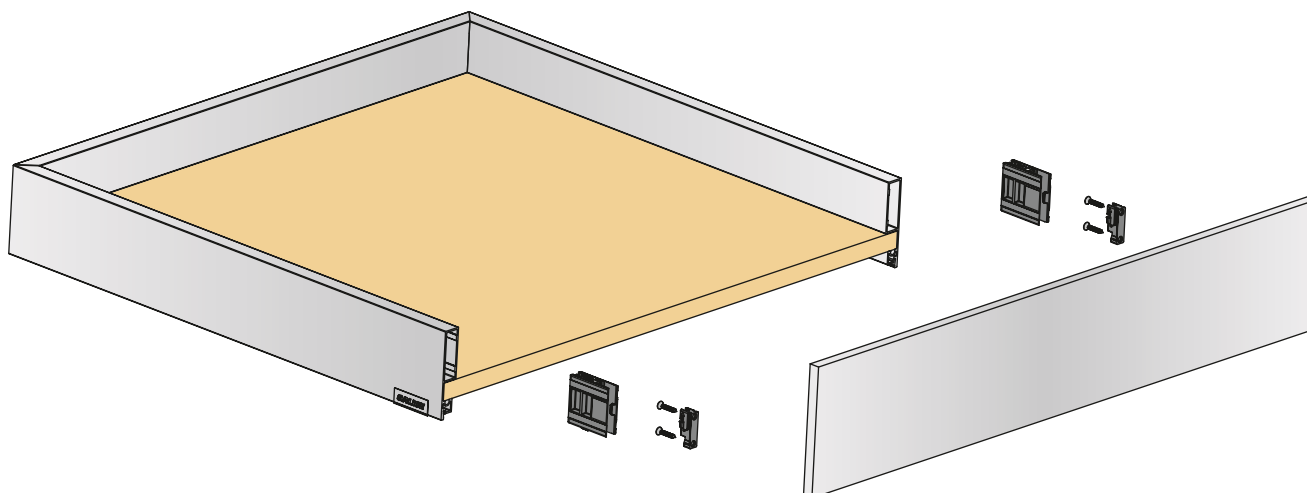
**Cabinets sides 15 - 16 mm**



**Cabinets sides 18 - 19 mm**



**Elements of the drawer**



# Lineabox - Sink waste cut-out drawer - 2-sided - H 104 mm

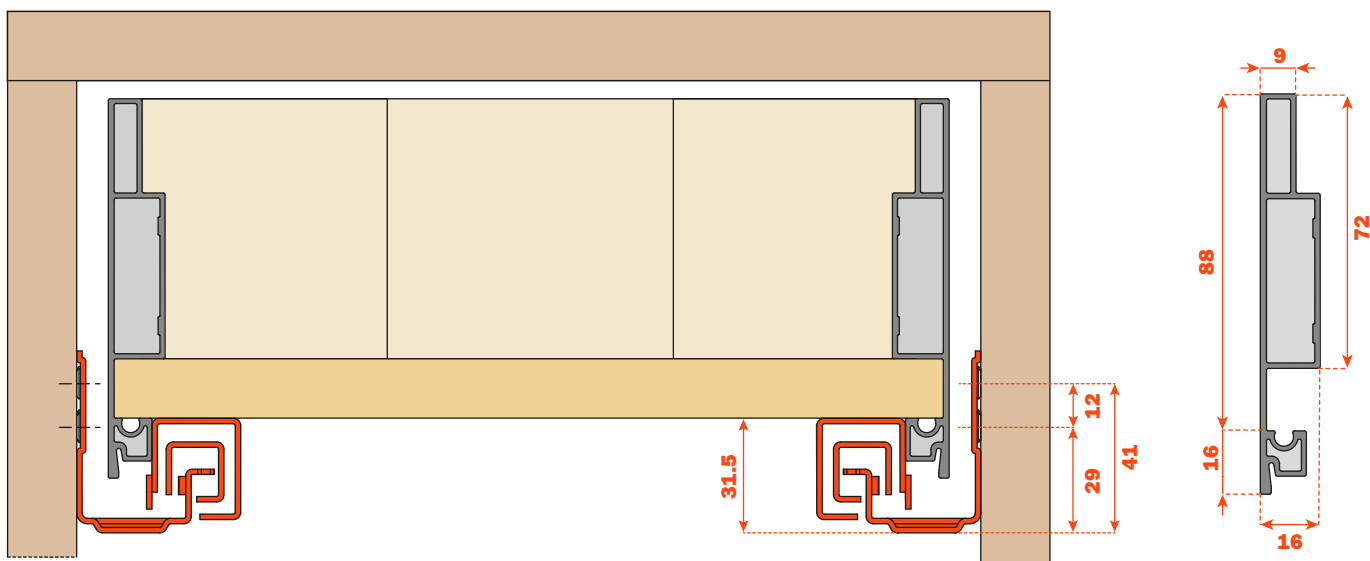


**Lineabox metal sides, wooden frontal and back panel. Height of the side 104 mm - Internal height 72 mm. For use with Futura full-extension runners: 655 - 6557 - 6555 (consult the general catalogue "Runners and drawers").**

- Rapid assembly system, with no machinery or templates needed.
- Rapid mounting and removal of drawer frontal.
- Height, sideways and depth adjustment of the drawer incorporated in the runner fixing clips.
- Bottom thickness:
  - 16 mm
  - 15 mm with insert SMGP15X4XA
- Material: Aluminium
- Sides: 90° cut end
- Finishes:
  - Stainless steel
  - Champagne
  - Titanium
  - White

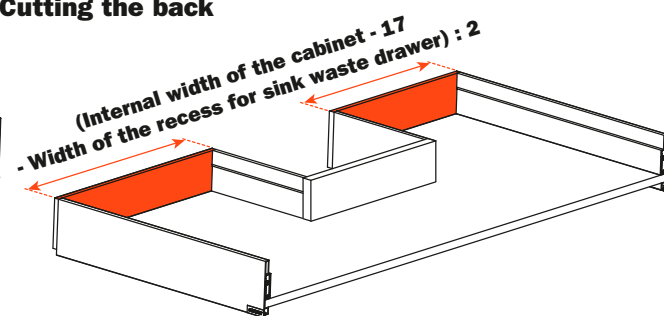
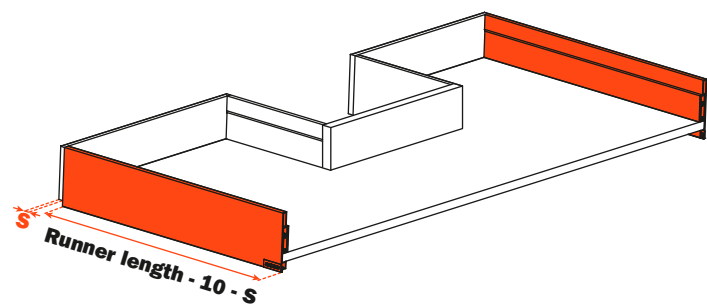
## Dimensions with Futura full-extension runners

## Thickness of the metal side

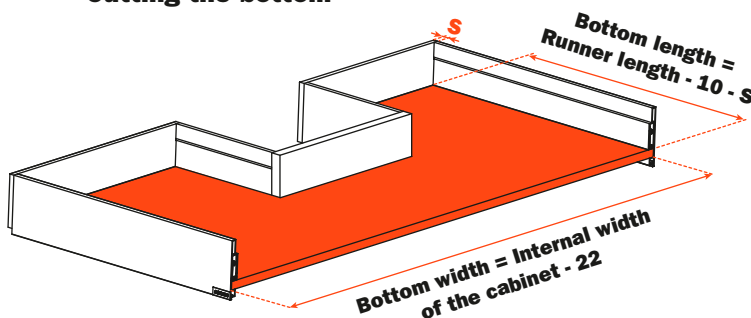


## Cutting the sides

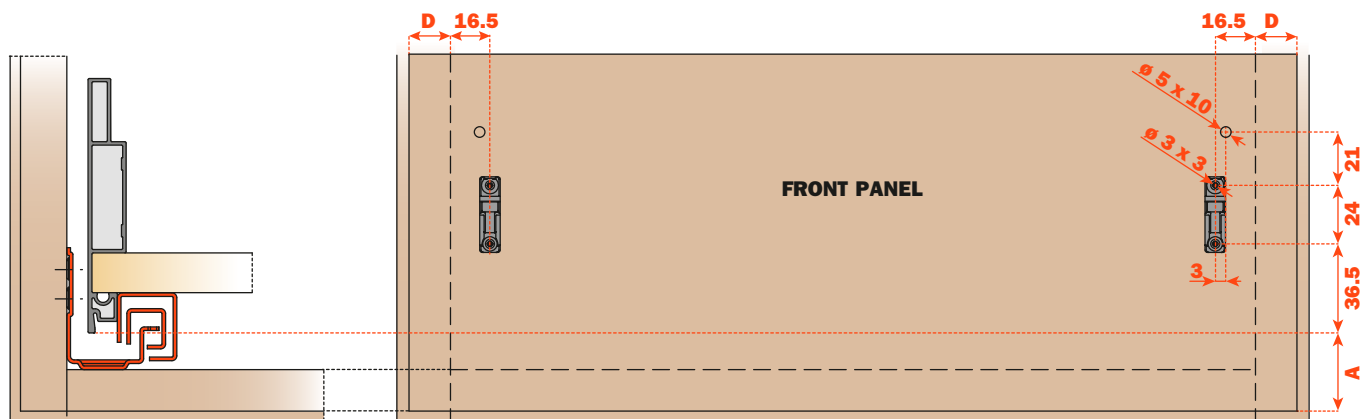
## Cutting the back



## Cutting the bottom



Frontal drilling

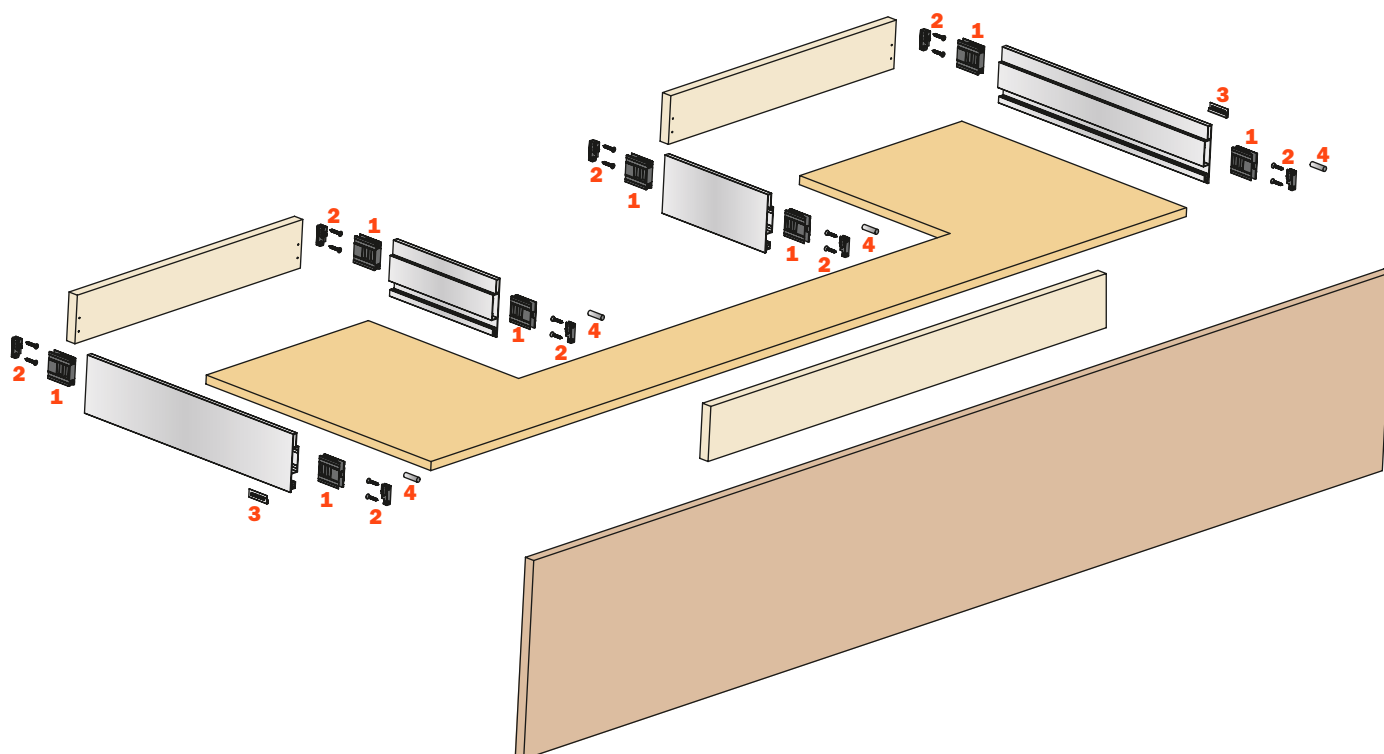


Back drilling



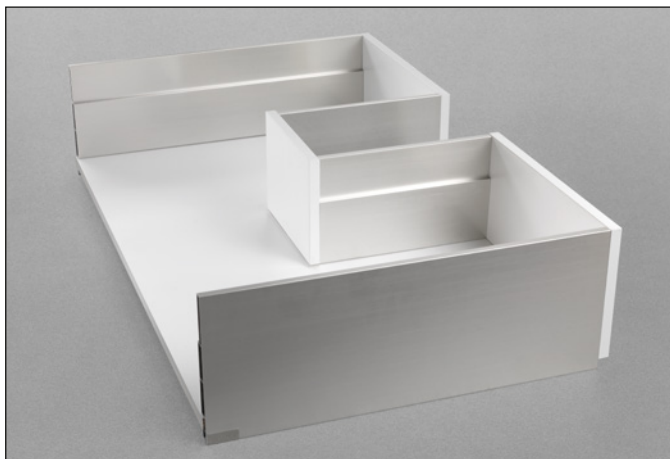
Elements of the drawer

- |   |                       |
|---|-----------------------|
| <b>1</b> Frontal connecting fitting <b>AMGPXA3</b>  | Nr. 8 pcs.            |
| <b>2</b> Frontal fixing <b>SMGP12A3XA</b>   | Nr. 8 pcs.            |
| <b>3</b> Cover cap<br>(With embossed logo <b>SCCX83H9</b> - With silk-screen printed logo <b>SCXX83H9</b> ) | Nr. 2 pcs. (optional) |
| <b>4</b> Stabilizer pin for 2-sided drawers ø 6 mm<br>Frontal drilling ø 5 mm <b>SMGP21X4XA</b>             | Nr. 4 pcs. (optional) |





# Lineabox - Sink waste cut-out drawer - 2-sided - H 180 mm

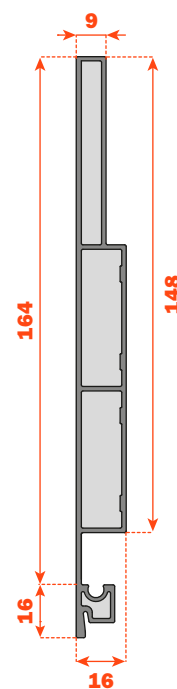
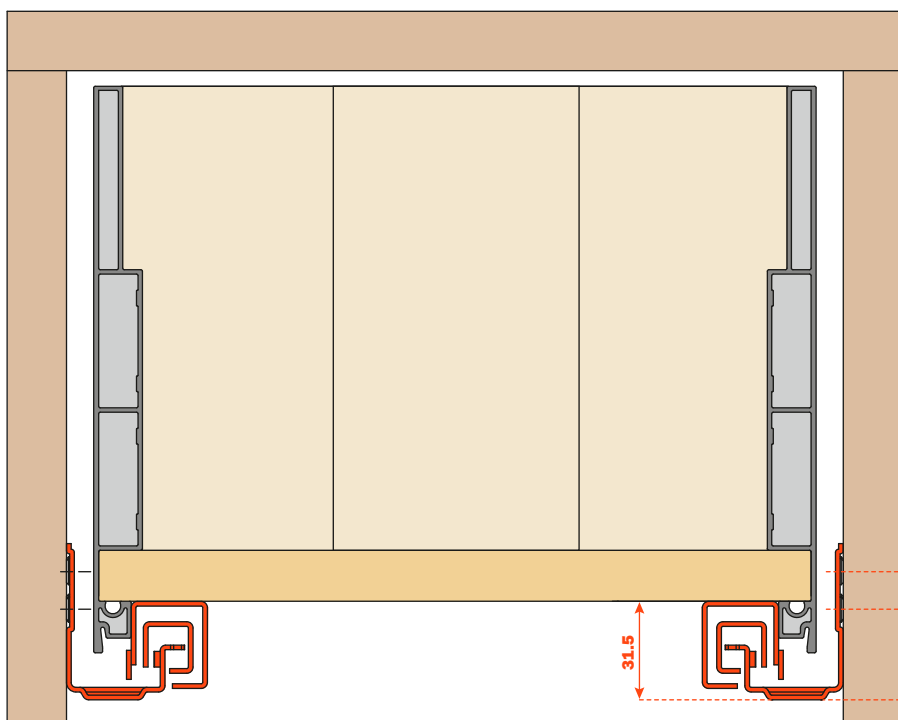


**Lineabox metal sides, wooden frontal and back panel.**  
**Height of the side 180 mm - Internal height 148 mm.**  
**For use with Futura full-extension runners: 655 - 6557 - 6555**  
**(consult the general catalogue "Runners and drawers").**

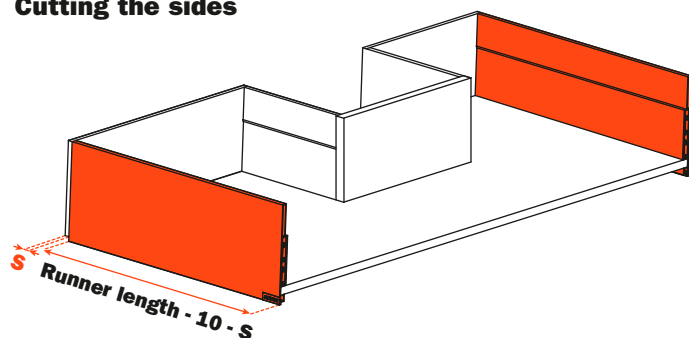
- Rapid assembly system, with no machinery or templates needed.
- Rapid mounting and removal of drawer frontal.
- Height, sideways and depth adjustment of the drawer incorporated in the runner fixing clips.
- Bottom thickness:
  - 16 mm
  - 15 mm with insert SMGP15X4XA
- Material: Aluminium
- Sides: 90° cut end
- Finishes:
  - Stainless steel
  - Champagne
  - Titanium
  - White

## Dimensions with Futura full-extension runners

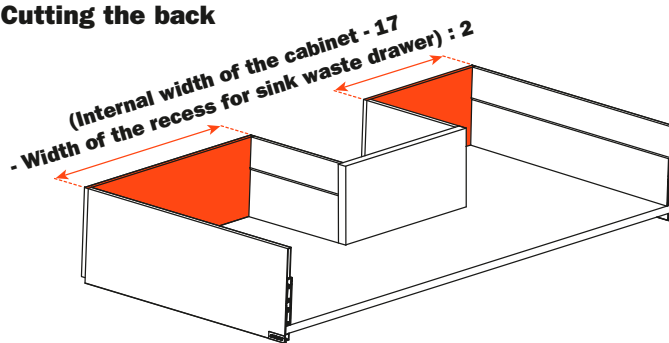
## Thickness of the metal side



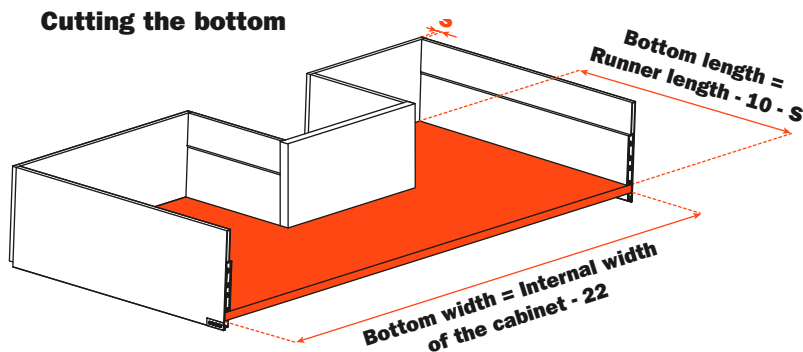
## Cutting the sides



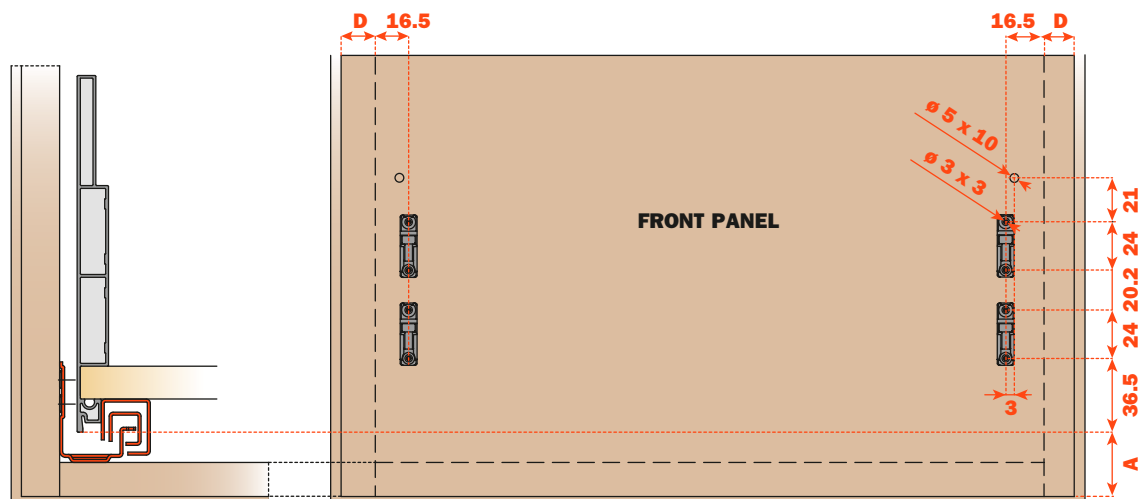
## Cutting the back



## Cutting the bottom



Frontal drilling

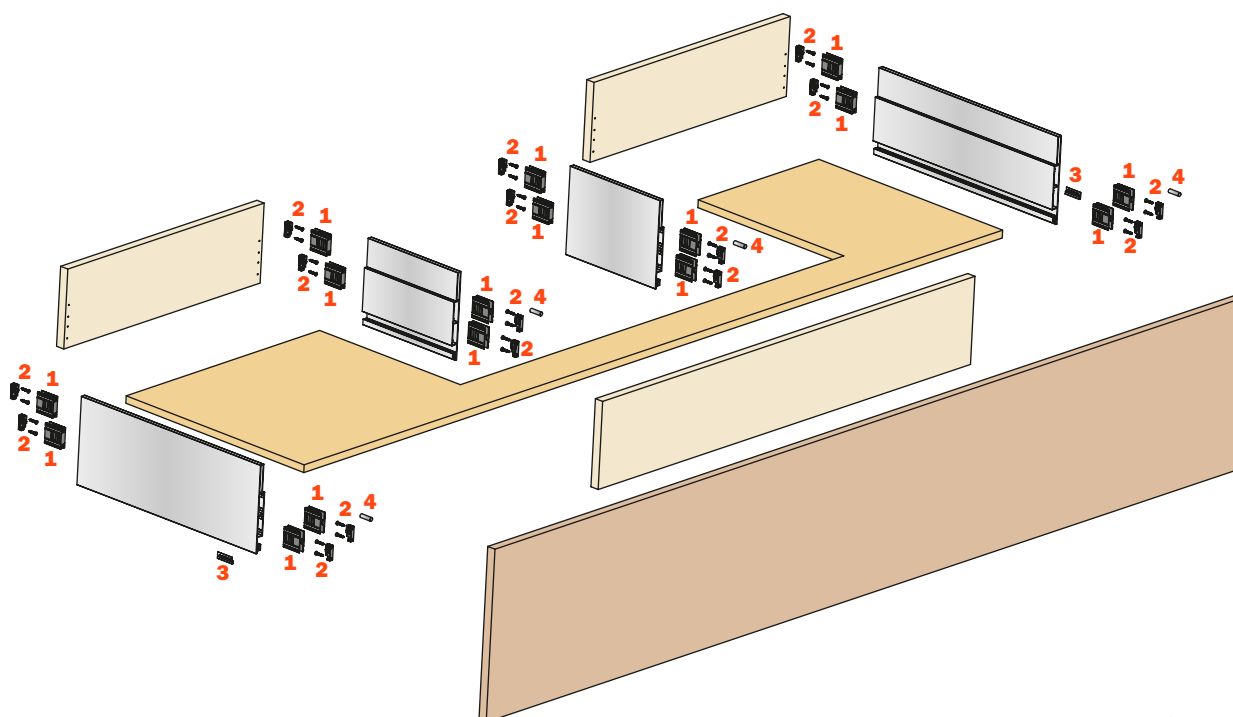


Back drilling

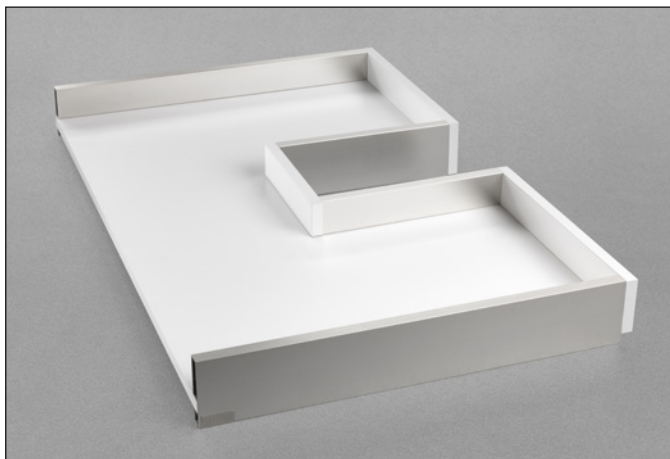


Elements of the drawer

- |          |  |                       |
|----------|--|-----------------------|
| <b>1</b> | Frontal connecting fitting <b>AMGPXA3</b>  | Nr. 16 pcs.           |
| <b>2</b> | Frontal fixing <b>SMGP12A3XA</b>   | Nr. 16 pcs.           |
| <b>3</b> | Cover cap<br>(With embossed logo <b>SCCX83H9</b> - With silk-screen printed logo <b>SCXX83H9</b> )             | Nr. 2 pcs. (optional) |
| <b>4</b> | Stabilizer pin for 2-sided drawers $\varnothing 6$ mm<br>Frontal drilling $\varnothing 5$ mm <b>SMGP21X4XA</b> | Nr. 4 pcs. (optional) |



# Lineabox - Sink waste cut-out drawer - 2-sided - H 77 mm

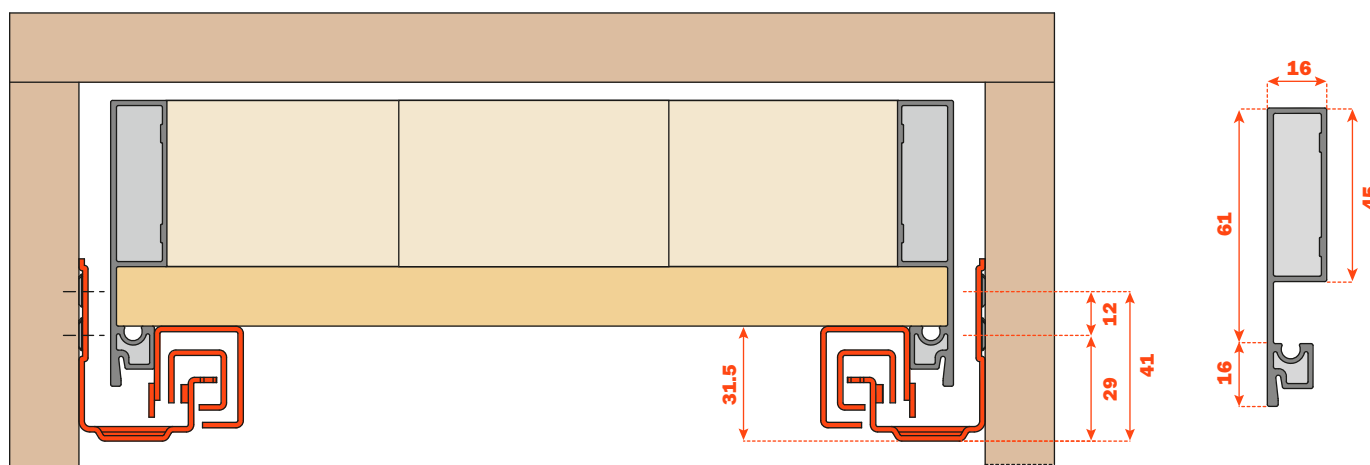


**Lineabox metal sides, wooden frontal and back panel. Height of the side 77 mm - Internal height 45 mm. For use with Futura full-extension runners: 655 - 6557 - 6555 (consult the general catalogue "Runners and drawers").**

- Rapid assembly system, with no machinery or templates needed.
- Rapid mounting and removal of drawer frontal.
- Height, sideways and depth adjustment of the drawer incorporated in the runner fixing clips.
- Bottom thickness:
  - 16 mm
  - 15 mm with insert SMGP15X4XA
- Material: Aluminium
- Sides: 90° cut end
- Finishes:
  - Stainless steel
  - Champagne
  - Titanium
  - White

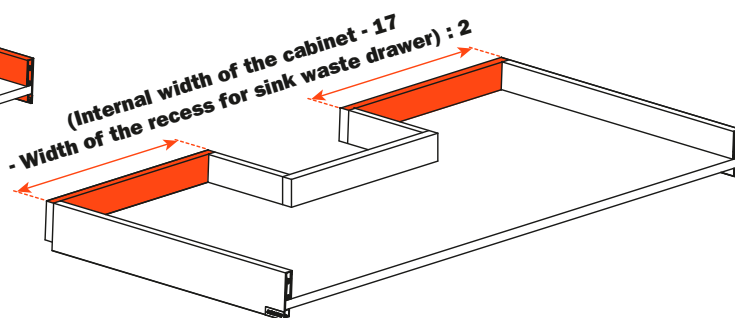
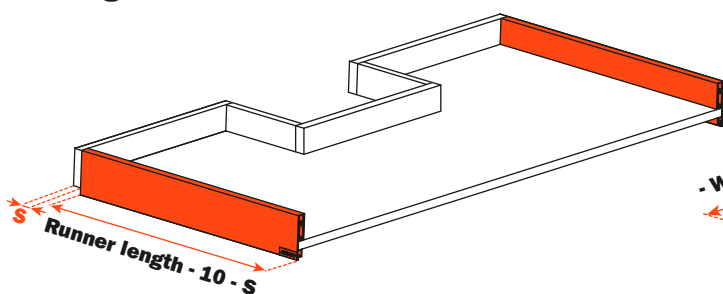
## Dimensions with Futura full-extension runners

## Thickness of the metal side

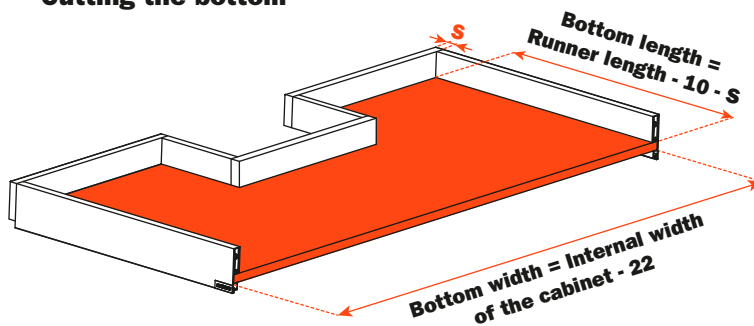


## Cutting the sides

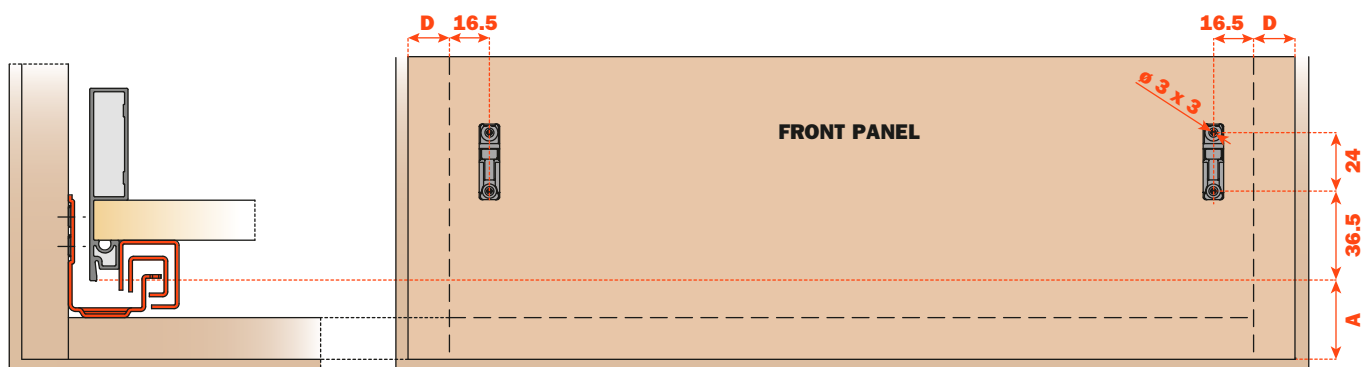
## Cutting the back



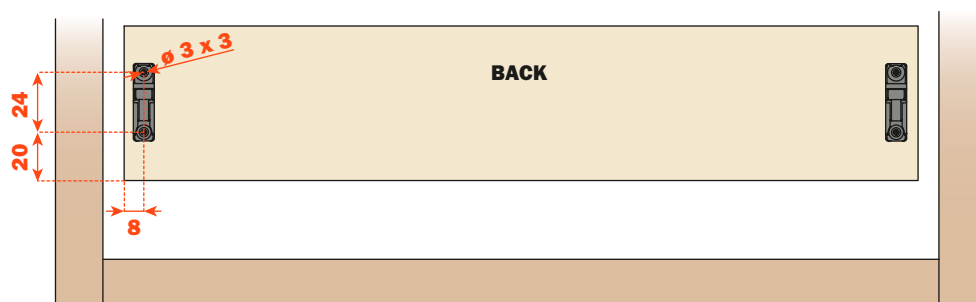
## Cutting the bottom



Frontal drilling

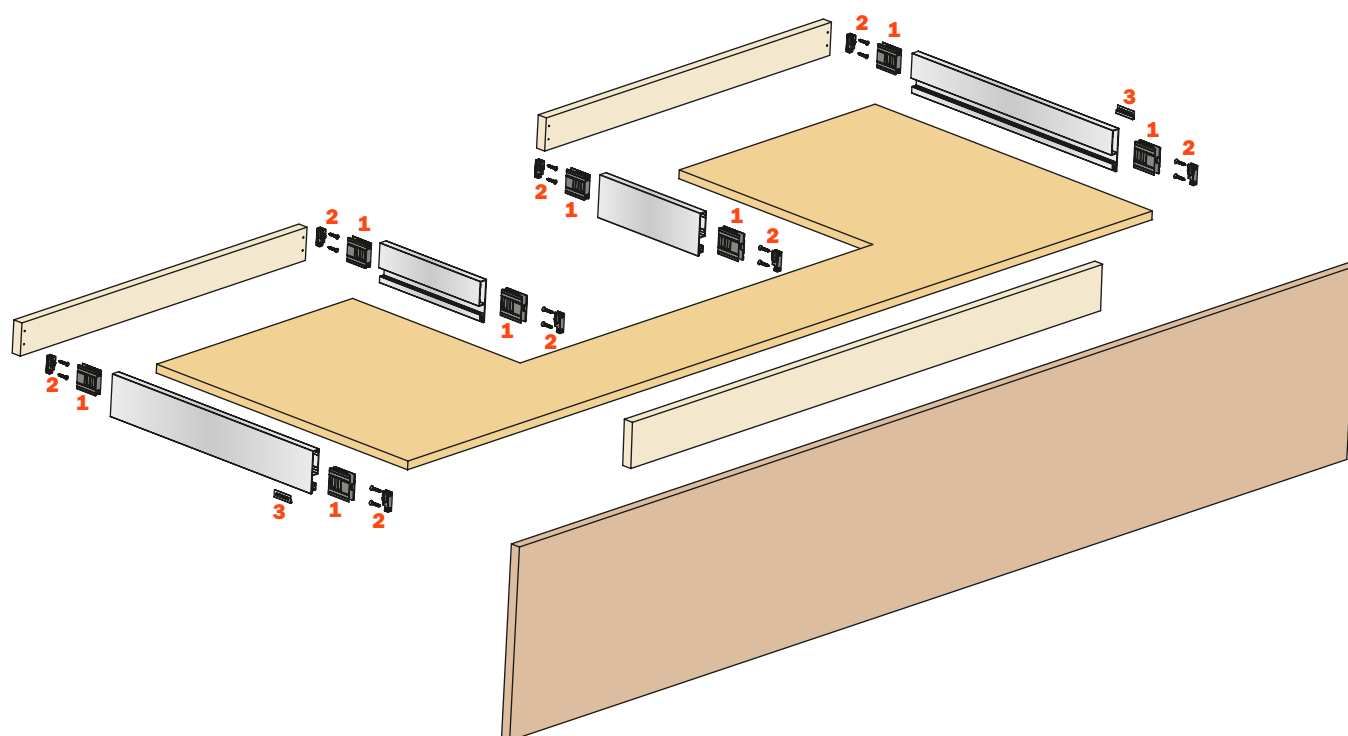


Back drilling



Elements of the drawer

- |   |  |
|---|--|
| <p><b>1</b> Frontal connecting fitting <b>AMGPXA3</b></p> <p><b>2</b> Frontal fixing <b>SMGP12A3XA</b></p> <p><b>3</b> Cover cap<br/>(With embossed logo <b>SCCX83H9</b> - With silk-screen printed logo <b>SCXX83H9</b>)</p> | <p>Nr. 8 pcs.</p> <p>Nr. 8 pcs.</p> <p>Nr. 2 pcs. (optional)</p> |
|---|--|



# Lineabox - Sink waste cut-out drawer - 3-sided - H 104 mm

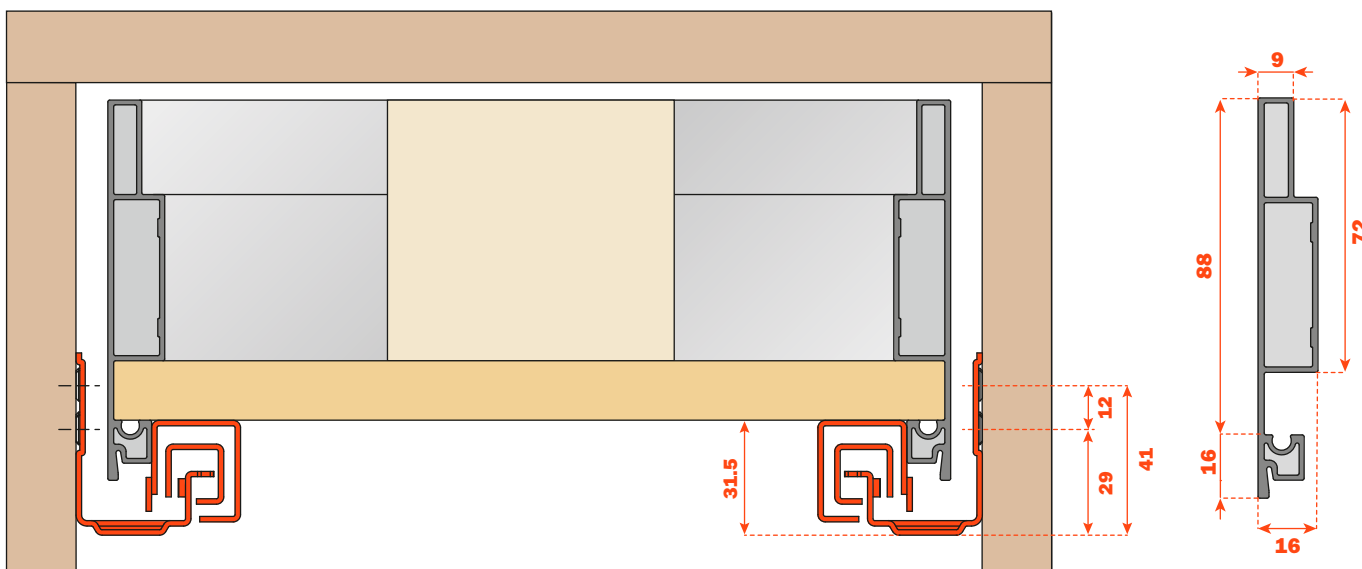


**Height of the side 104 mm - Internal height 72 mm.**  
**For use with Futura full-extension runners: 655 - 6557 - 6555**  
**(consult the general catalogue "Runners and drawers").**

- Rapid assembly system, with no machinery or templates needed.
- Rapid mounting and removal of drawer frontal.
- The back can be personalised according the width of the cabinet.
- Height, sideways and depth adjustment of the drawer incorporated in the runner fixing clips.
- Bottom thickness:
  - 16 mm
  - 15 mm with insert SMGP15X4XA
- Material: Aluminium
- Sides and back: 45° mitre cut end
- Finishes:
  - Stainless steel
  - Champagne
  - Titanium
  - White

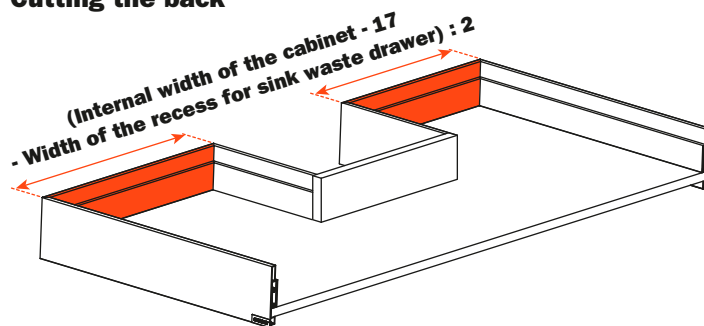
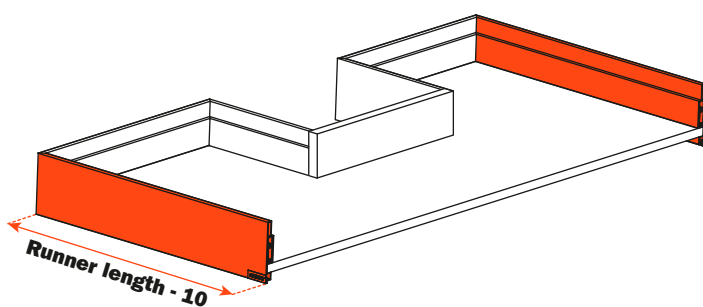
## Dimensions with Futura full-extension runners

## Thickness of the metal side

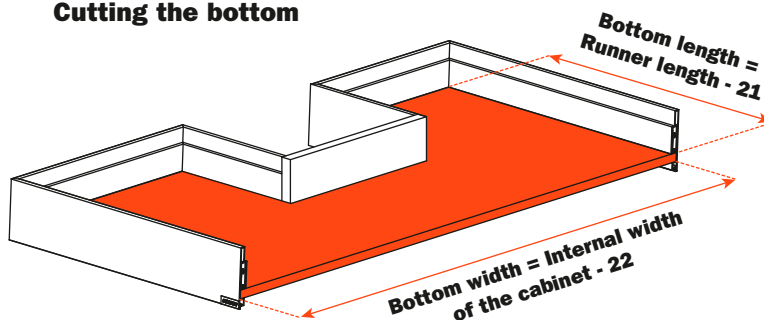


## Cutting the sides

## Cutting the back

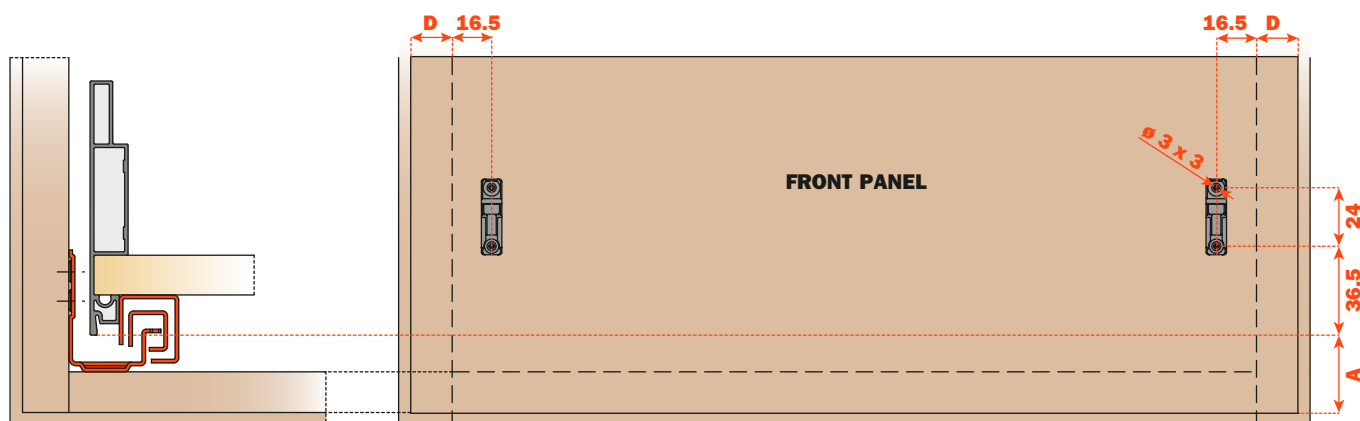


## Cutting the bottom



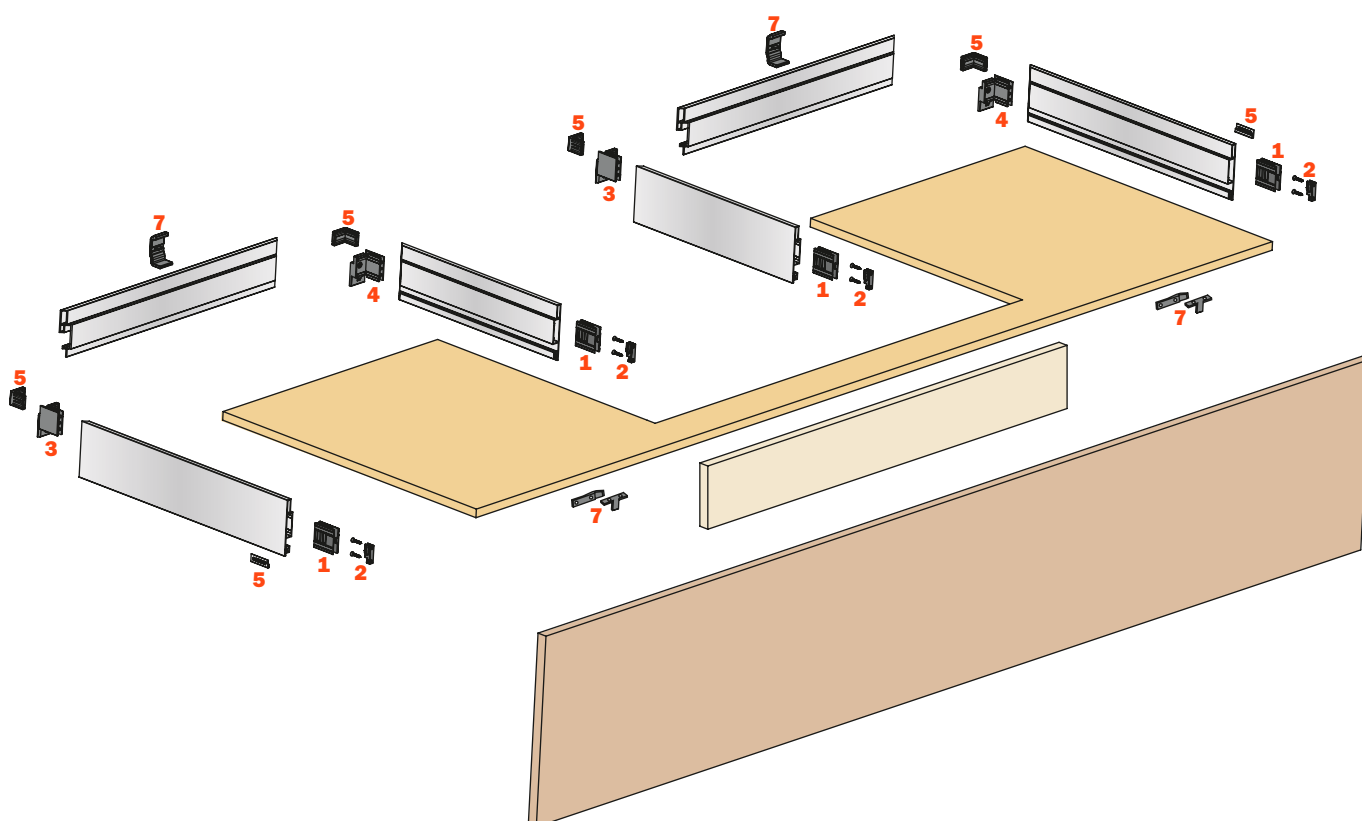


Frontal drilling



Elements of the drawer

- |   |                                |
|---|--------------------------------|
| <b>1</b> Frontal connecting fitting <b>AMGPXA3</b>  | Nr. 4 pcs.                     |
| <b>2</b> Frontal fixing <b>SMGP12A3XA</b>   | Nr. 4 pcs.                     |
| <b>3</b> Left back connecting fitting <b>AMGPSP3</b>  | Nr. 2 pcs.                     |
| <b>4</b> Right back connecting fitting <b>AMGPDP3</b>   | Nr. 2 pcs.                     |
| <b>5</b> Medium corner connector <b>SMGP89P3MA</b>  | Nr. 4 pcs.                     |
| <b>6</b> Cover cap<br>(With embossed logo <b>SCCX83H9</b> - With silk-screen printed logo <b>SCXX83H9</b> ) | Nr. 2 pcs. (optional)          |
| <b>7</b> Reinforcing supports for the bottom of the drawer <b>AMSRX33</b>                                   | Nr. 2 Sets = 6 pcs. (optional) |



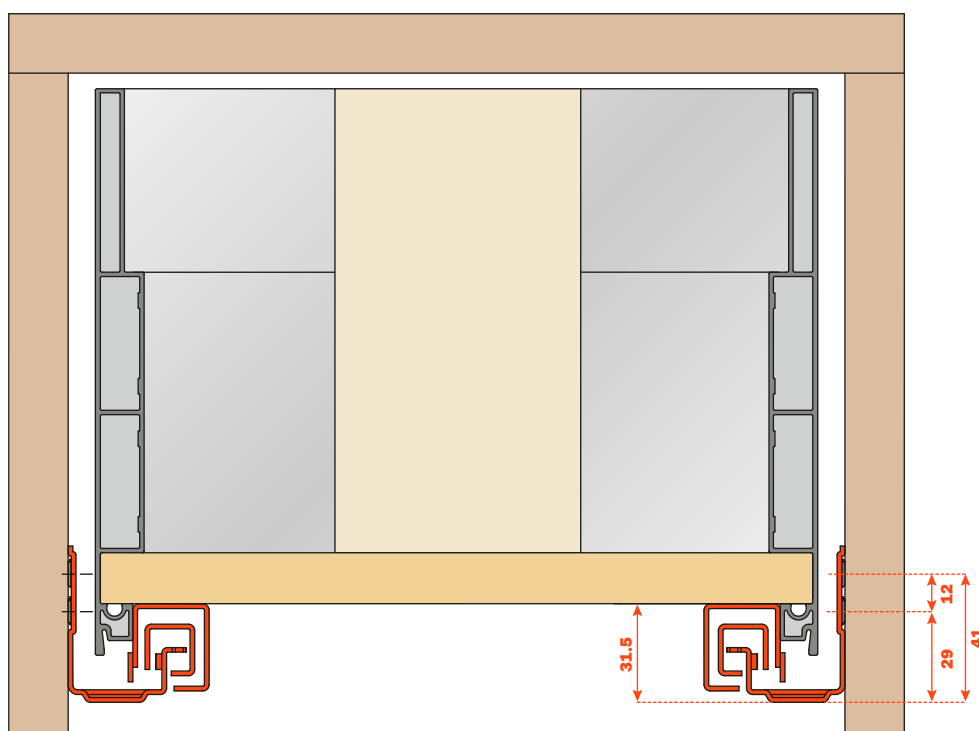
# Lineabox - Sink waste cut-out drawer - 3-sided - H 180 mm



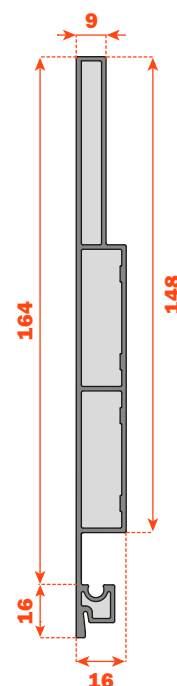
**Height of the side 180 mm - Internal height 148 mm.**  
**For use with Futura full-extension runners: 655 - 6557 - 6555**  
**(consult the general catalogue "Runners and drawers").**

- Rapid assembly system, with no machinery or templates needed.
- Rapid mounting and removal of drawer frontal.
- The back can be personalised according the width of the cabinet.
- Height, sideways and depth adjustment of the drawer incorporated in the runner fixing clips.
- Bottom thickness:
  - 16 mm
  - 15 mm with insert SMGP15X4XA
- Material: Aluminium
- Sides and back: 45° mitre cut end
- Finishes:
  - Stainless steel
  - Champagne
  - Titanium
  - White

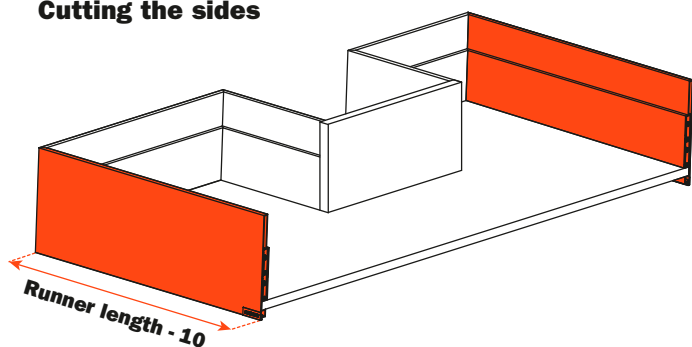
## Dimensions with Futura full-extension runners



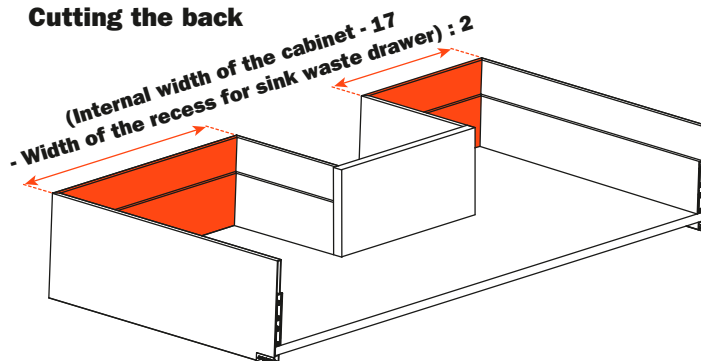
## Thickness of the metal side



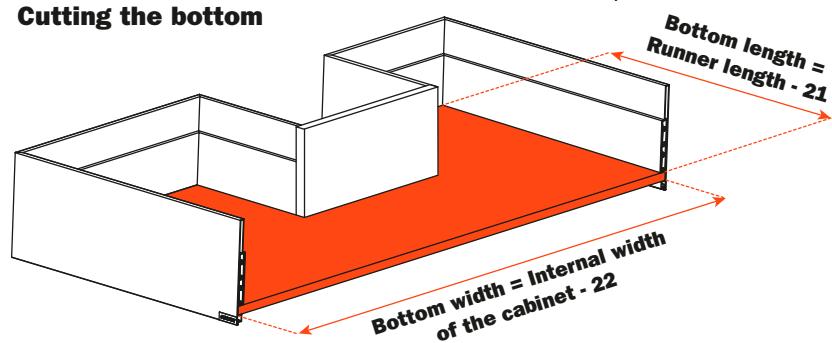
## Cutting the sides



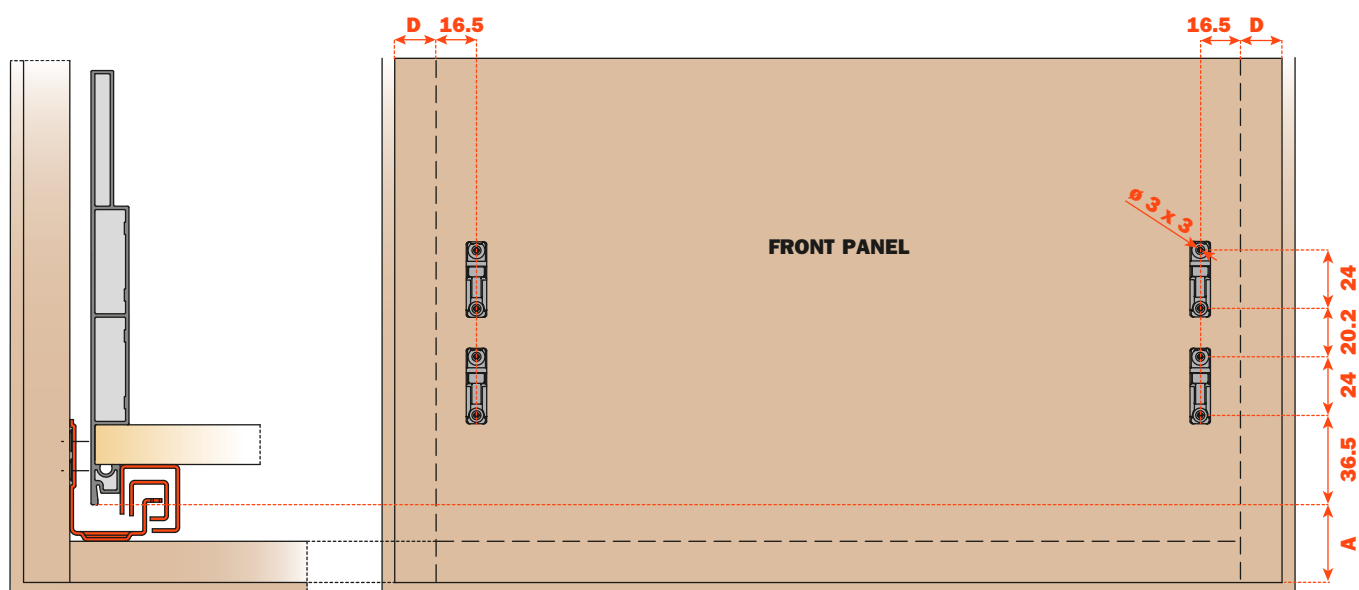
## Cutting the back



## Cutting the bottom

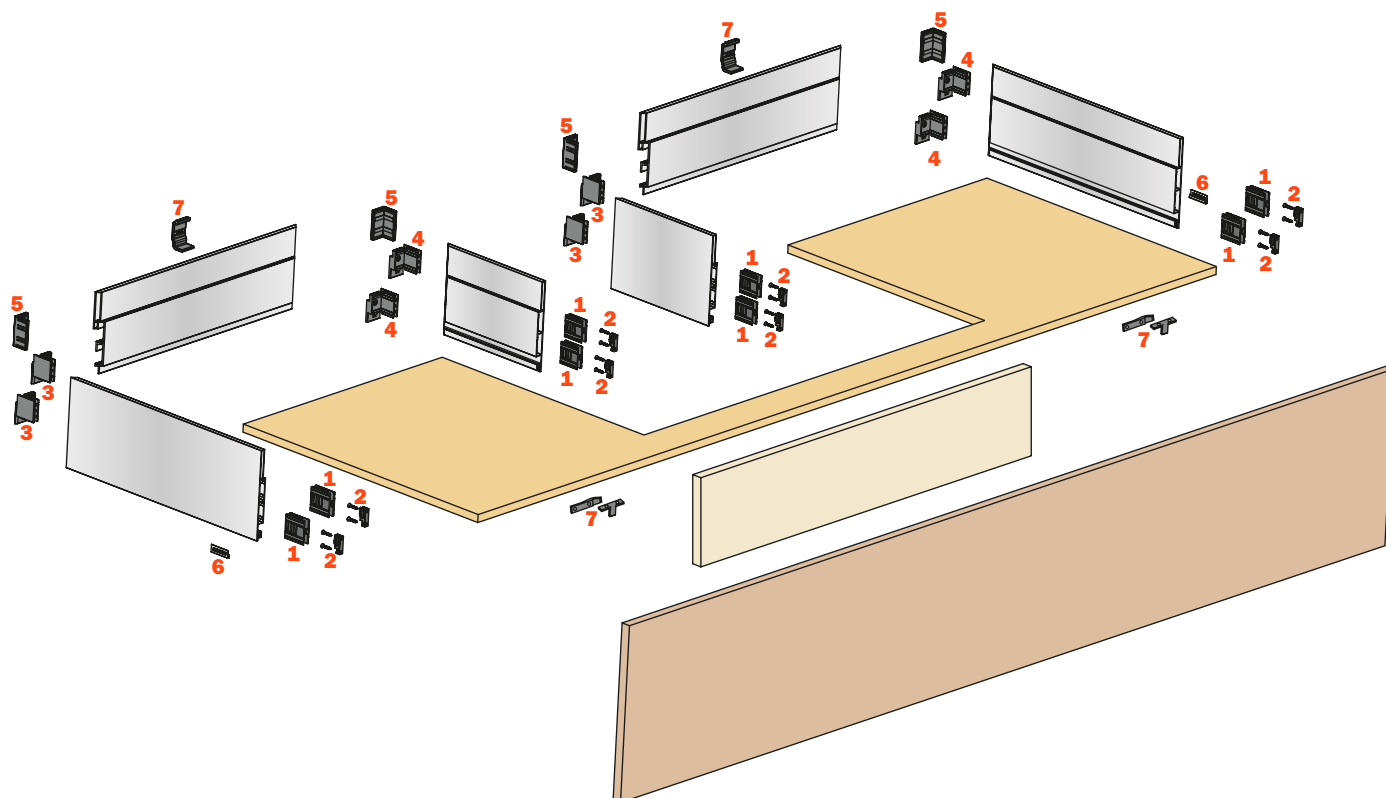


Frontal drilling

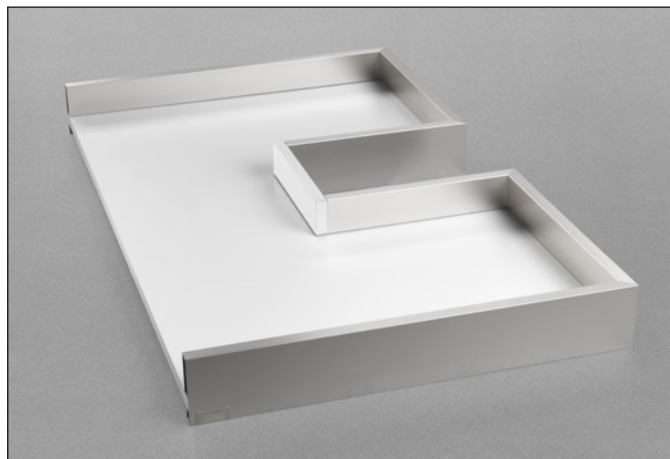


Elements of the drawer

- |   |                                |
|---|--------------------------------|
| <b>1</b> Frontal connecting fitting <b>AMGPXA3</b>  | Nr. 8 pcs.                     |
| <b>2</b> Frontal fixing <b>SMGP12A3XA</b>   | Nr. 8 pcs.                     |
| <b>3</b> Left back connecting fitting <b>AMGPSP3</b>  | Nr. 4 pcs.                     |
| <b>4</b> Right back connecting fitting <b>AMGPDP3</b>   | Nr. 4 pcs.                     |
| <b>5</b> High corner connector <b>SMGP89P3AA</b>  | Nr. 4 pcs.                     |
| <b>6</b> Cover cap<br>(With embossed logo <b>SCCX83H9</b> - With silk-screen printed logo <b>SCCX83H9</b> ) | Nr. 2 pcs. (optional)          |
| <b>7</b> Reinforcing supports for the bottom of the drawer <b>AMSRX33</b>                                   | Nr. 2 Sets = 6 pcs. (optional) |



# Lineabox - Sink waste cut-out drawer - 3-sided - H 77 mm

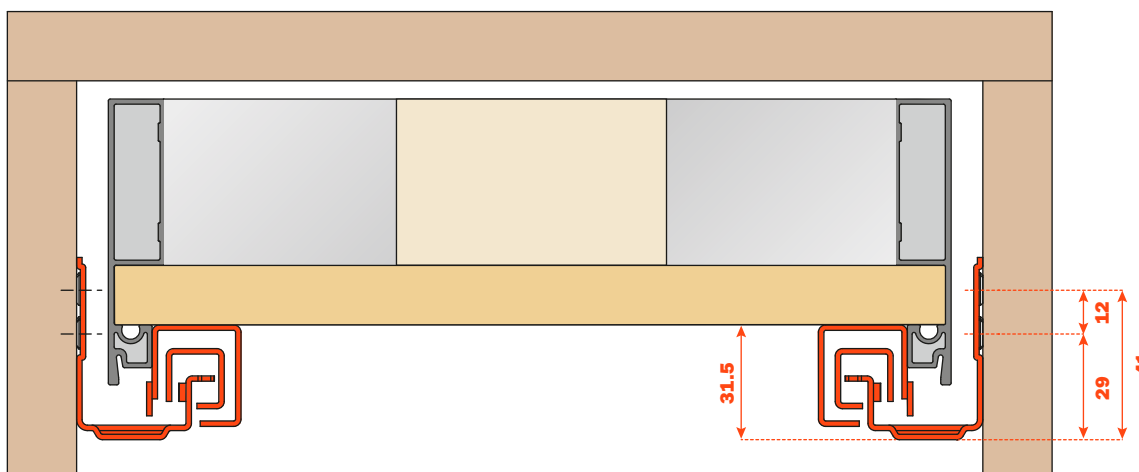


**Height of the side 77 mm - Internal height 45 mm.**  
**For use with Futura full-extension runners: 655 - 6557 - 6555**  
**(consult the general catalogue "Runners and drawers").**

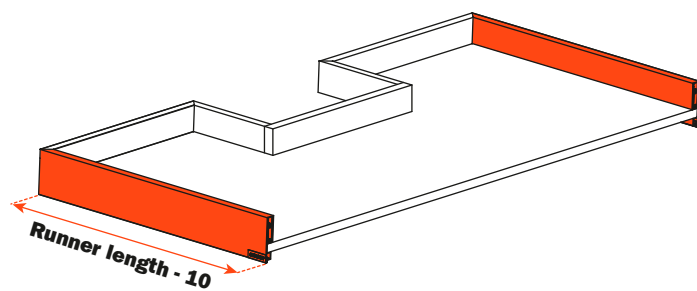
- Rapid assembly system, with no machinery or templates needed.
- Rapid mounting and removal of drawer frontal.
- The back can be personalised according the width of the cabinet.
- Height, sideways and depth adjustment of the drawer incorporated in the runner fixing clips.
- Bottom thickness:
  - 16 mm
  - 15 mm with insert SMGP15X4XA
- Material: Aluminium
- Sides and back: 45° mitre cut end
- Finishes:
  - Stainless steel
  - Champagne
  - Titanium
  - White

## Dimensions with Futura full-extension runners

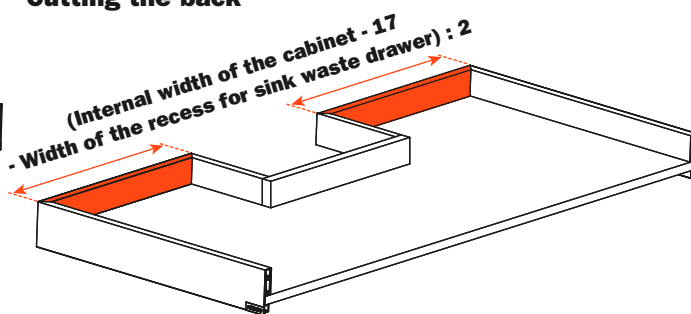
## Thickness of the metal side



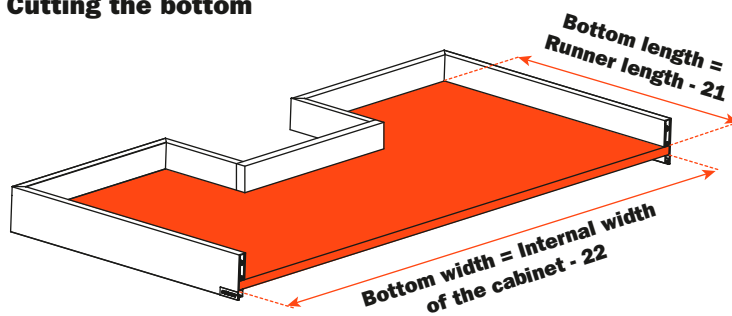
## Cutting the sides



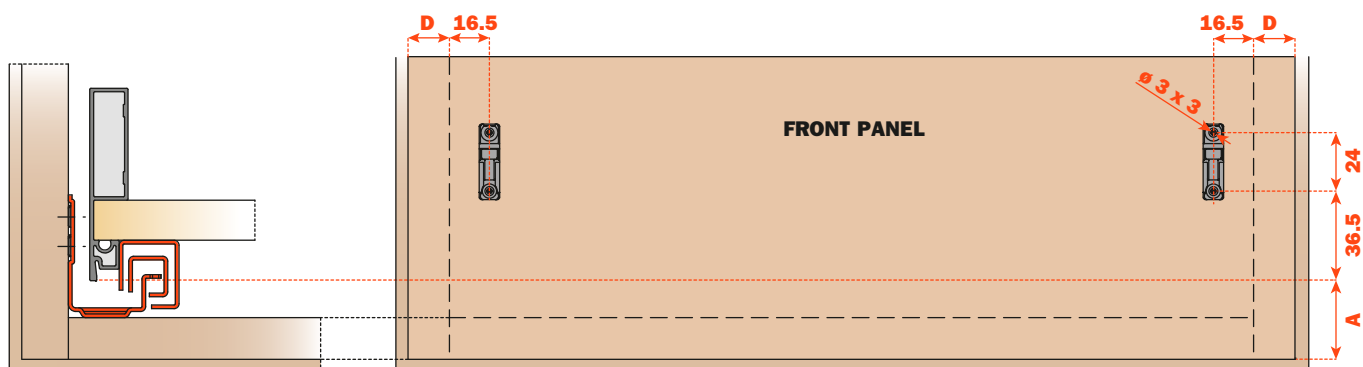
## Cutting the back



## Cutting the bottom

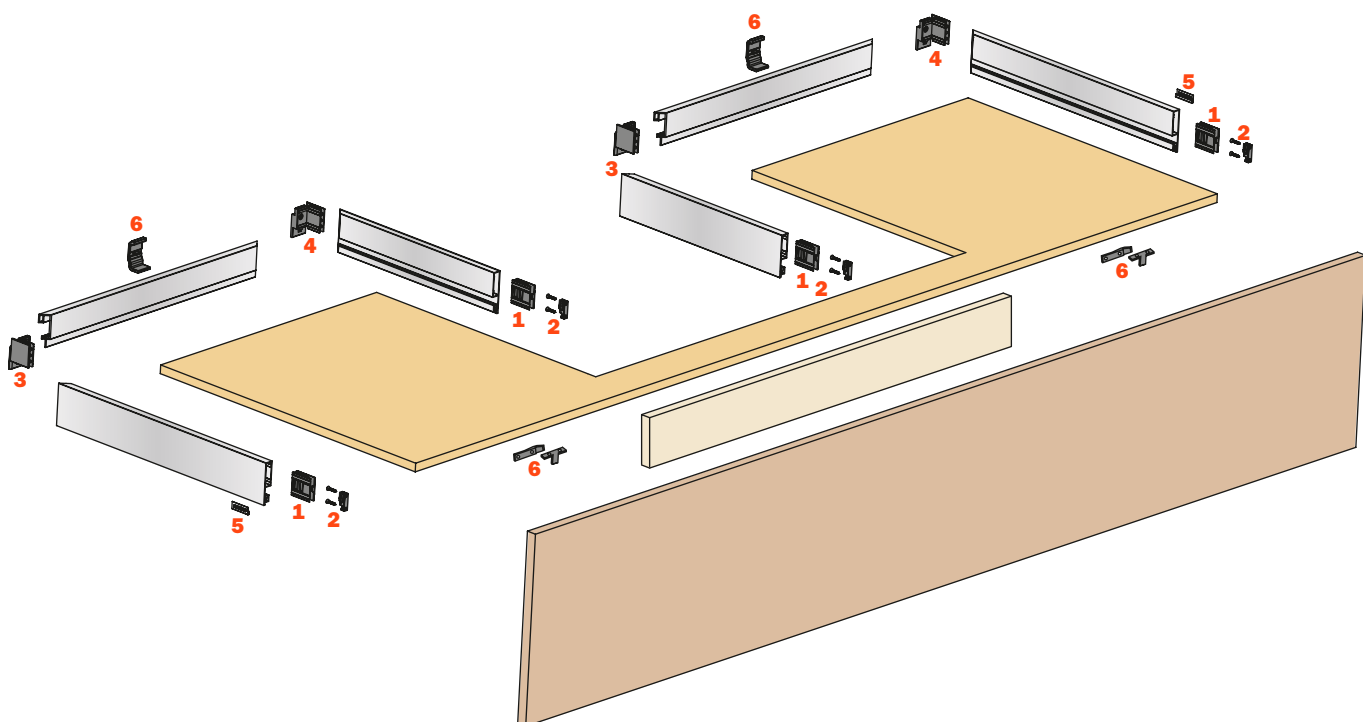


Frontal drilling



Elements of the drawer

- |   |                                |
|---|--------------------------------|
| <b>1</b> Frontal connecting fitting <b>AMGPXA3</b>  | Nr. 4 pcs.                     |
| <b>2</b> Frontal fixing <b>SMGP12A3XA</b>   | Nr. 4 pcs.                     |
| <b>3</b> Left back connecting fitting <b>AMGPSP3</b>  | Nr. 2 pcs.                     |
| <b>4</b> Right back connecting fitting <b>AMGPDP3</b>   | Nr. 2 pcs.                     |
| <b>5</b> Cover cap<br>(With embossed logo <b>SCCX83H9</b> - With silk-screen printed logo <b>SCXX83H9</b> ) | Nr. 2 pcs. (optional)          |
| <b>6</b> Reinforcing supports for the bottom of the drawer <b>AMSRX33</b>                                   | Nr. 2 Sets = 6 pcs. (optional) |



# Lineabox - Under-sink drawer - 2-sided - H 104 mm

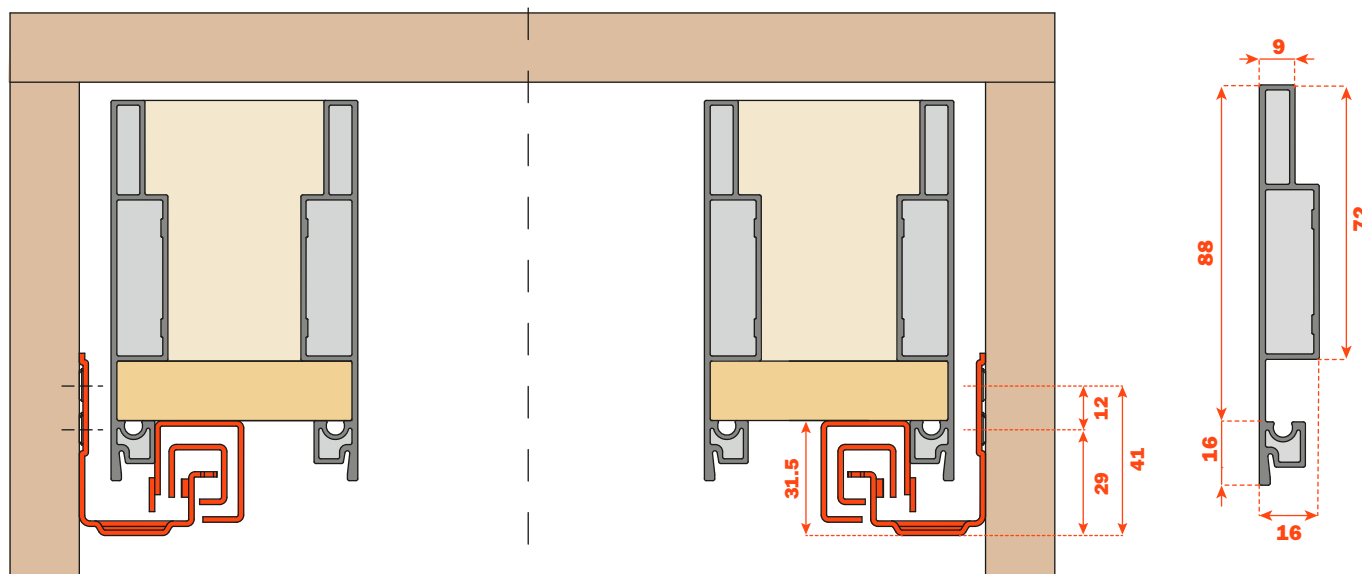


**Lineabox metal sides, wooden frontal and back panel.**  
**Height of the side 104 mm - Internal height 72 mm.**  
**For use with Futura full-extension runners: 655 - 6557 - 6555 (consult the general catalogue "Runners and drawers").**

- Rapid assembly system, with no machinery or templates needed.
- Rapid mounting and removal of drawer frontal.
- Height, sideways and depth adjustment of the drawer incorporated in the runner fixing clips.
- Bottom thickness:
  - 16 mm
  - 15 mm with insert SMGP15X4XA
- Material: Aluminium
- Sides: 90° cut end
- Finishes:
  - Stainless steel
  - Champagne
  - Titanium
  - White

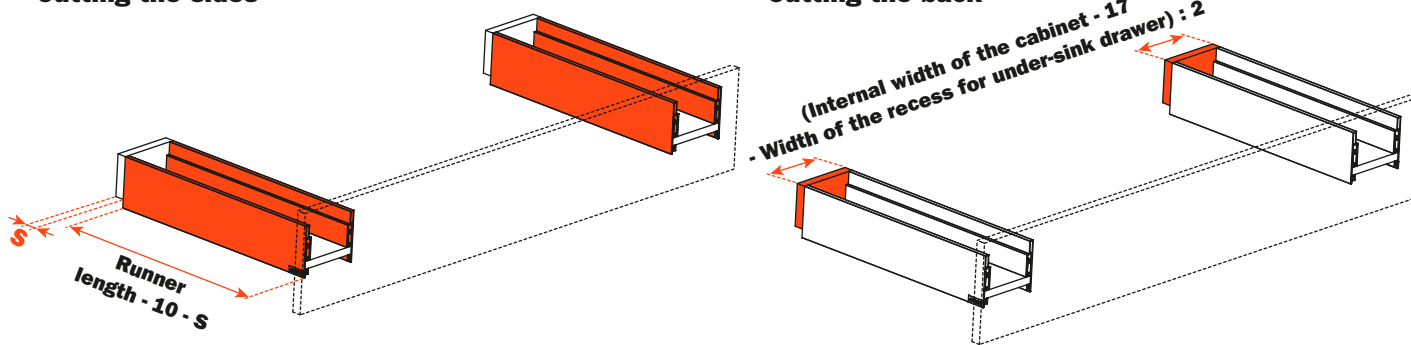
## Dimensions with Futura full-extension runners

## Thickness of the metal side

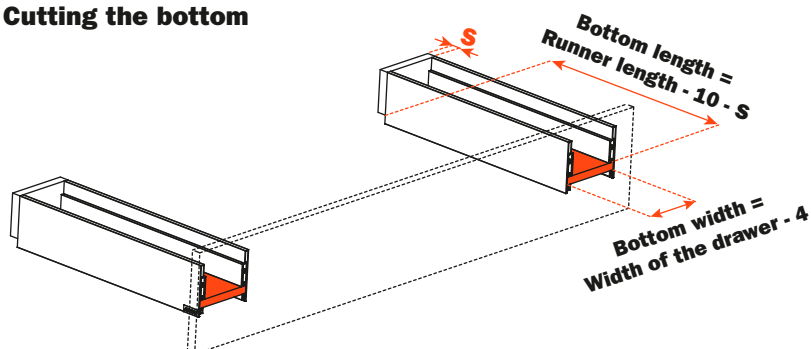


## Cutting the sides

## Cutting the back

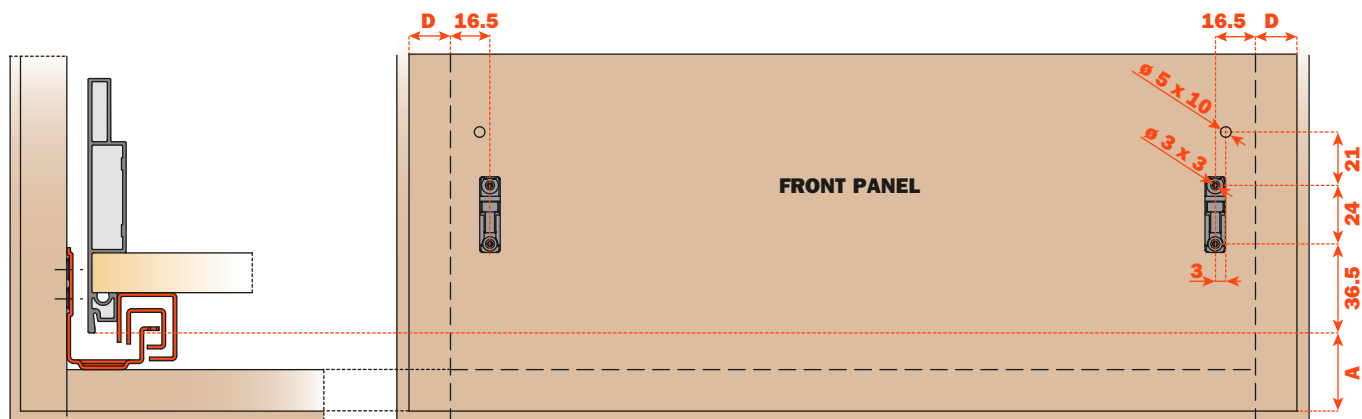


## Cutting the bottom





Frontal drilling

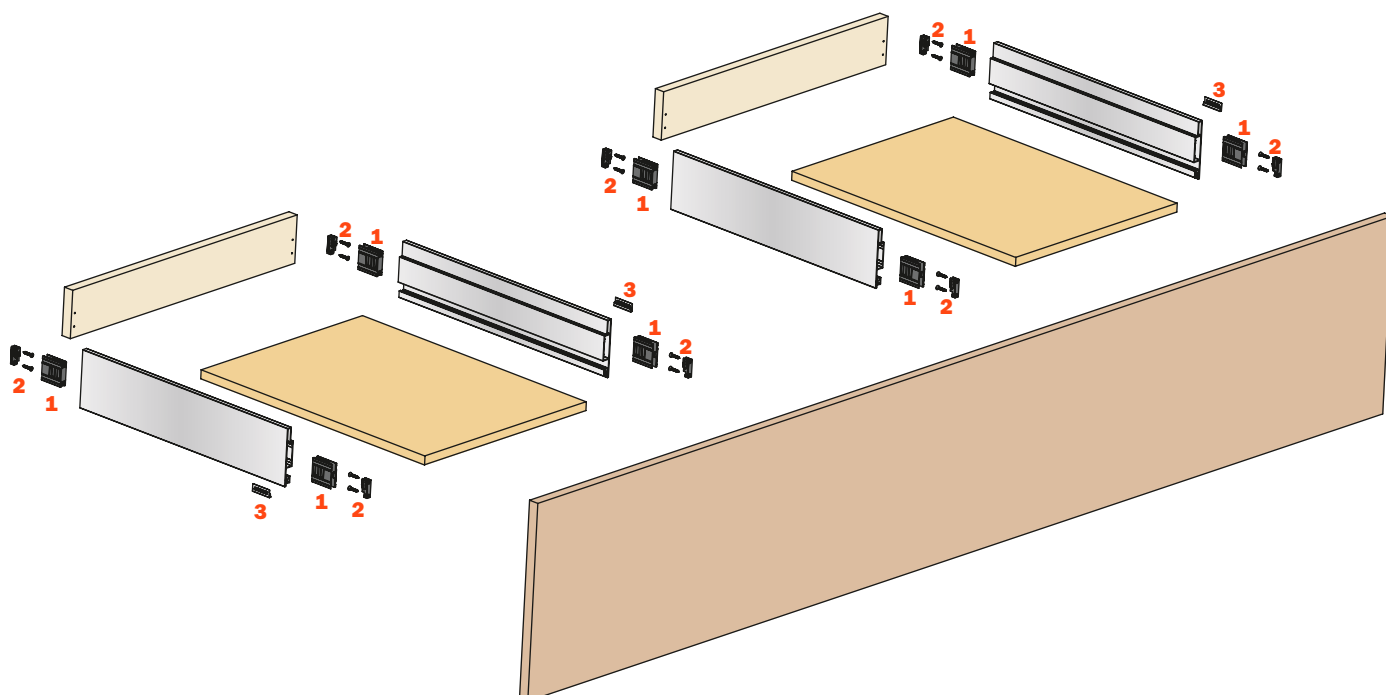


Back drilling



Elements of the drawer

- |   |                       |
|---|-----------------------|
| <b>1</b> Frontal connecting fitting <b>AMGPXA3</b>  | Nr. 8 pcs.            |
| <b>2</b> Frontal fixing <b>SMGP12A3XA</b>   | Nr. 8 pcs.            |
| <b>3</b> Cover cap<br>(With embossed logo <b>SCCX83H9</b> - With silk-screen printed logo <b>SCXX83H9</b> )             | Nr. 2 pcs. (optional) |
| <b>4</b> Stabilizer pin for 2-sided drawers $\varnothing$ 6 mm<br>Frontal drilling $\varnothing$ 5 mm <b>SMGP21X4XA</b> | Nr. 4 pcs. (optional) |



# Lineabox - Under-sink drawer - 2-sided - H 180 mm

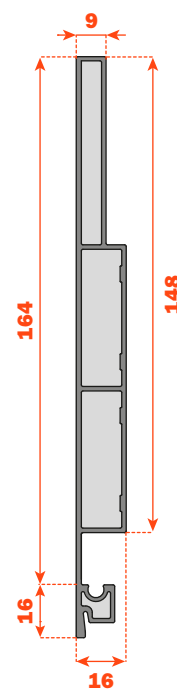
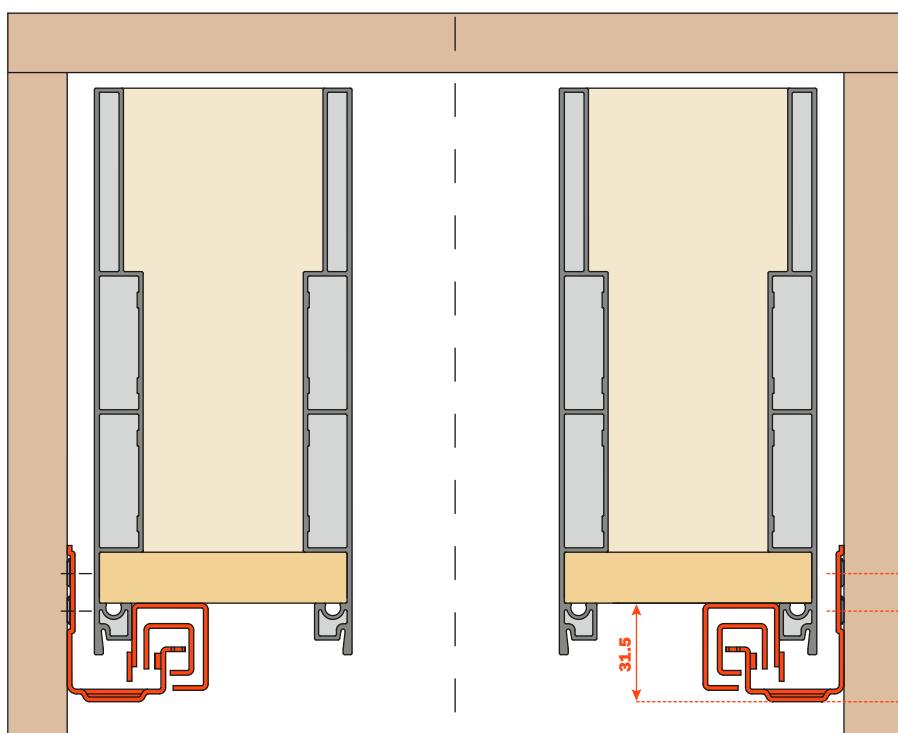


**Lineabox metal sides, wooden frontal and back panel. Height of the side 180 mm - Internal height 148 mm. For use with Futura full-extension runners: 655 - 6557 - 6555 (consult the general catalogue "Runners and drawers").**

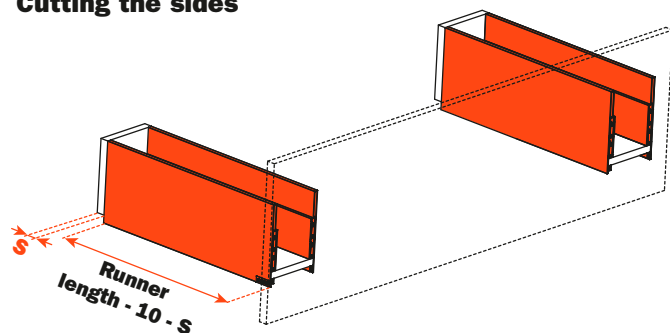
- Rapid assembly system, with no machinery or templates needed.
- Rapid mounting and removal of drawer frontal.
- Height, sideways and depth adjustment of the drawer incorporated in the runner fixing clips.
- Bottom thickness:
  - 16 mm
  - 15 mm with insert SMGP15X4XA
- Material: Aluminium
- Sides: 90° cut end
- Finishes:
  - Stainless steel
  - Champagne
  - Titanium
  - White

## Dimensions with Futura full-extension runners

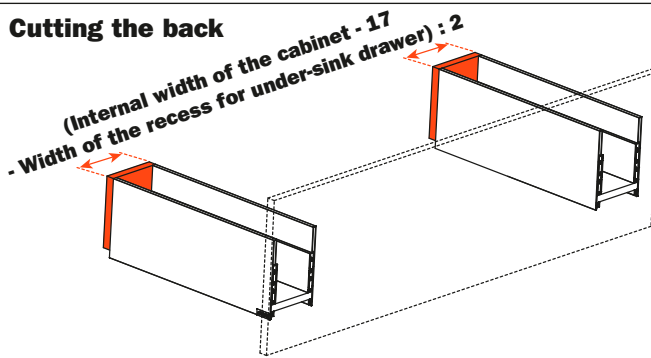
## Thickness of the metal side



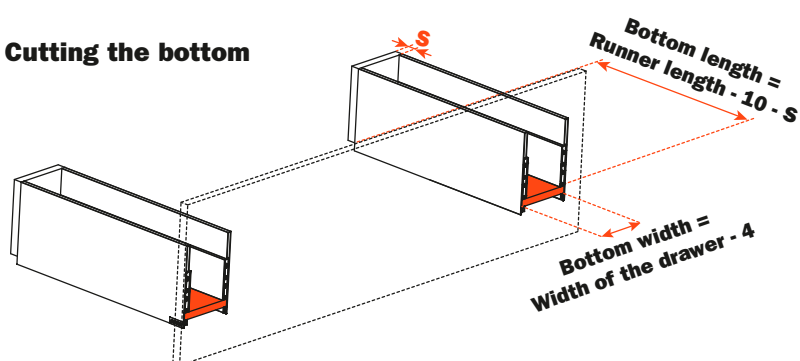
## Cutting the sides



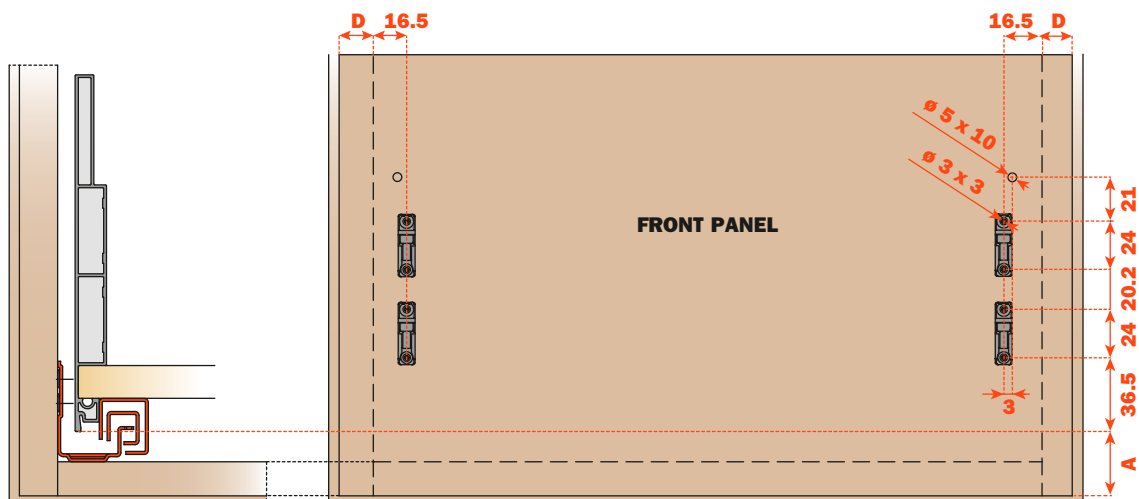
## Cutting the back



## Cutting the bottom



Frontal drilling

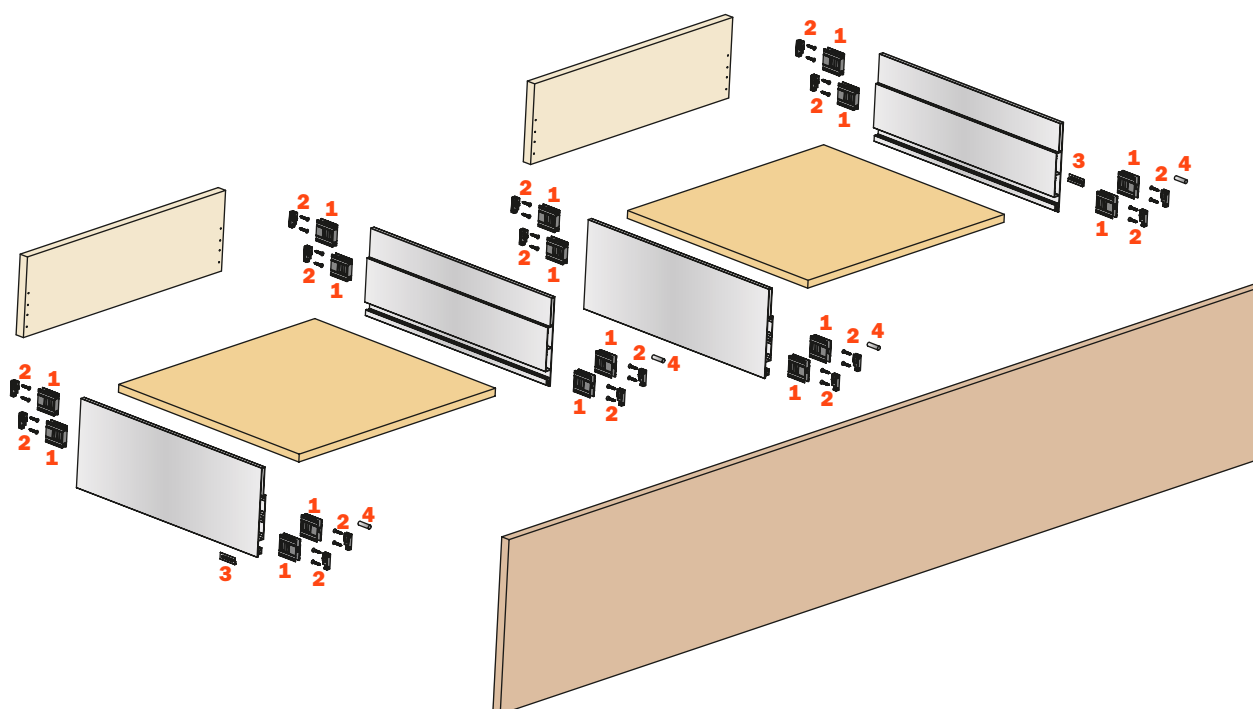


Back drilling



Elements of the drawer

- |   |   |
|---|---|
| <p><b>1</b> Frontal connecting fitting <b>AMGPXA3</b></p> <p><b>2</b> Frontal fixing <b>SMGP12A3XA</b></p> <p><b>3</b> Cover cap<br/>(With embossed logo <b>SCCX83H9</b> - With silk-screen printed logo <b>SCXX83H9</b>)</p> <p><b>4</b> Stabilizer pin for 2-sided drawers <math>\varnothing</math> 6 mm<br/>Frontal drilling <math>\varnothing</math> 5 mm <b>SMGP21X4XA</b></p> | <p>Nr. 16 pcs.</p> <p>Nr. 16 pcs.</p> <p>Nr. 2 pcs. (optional)</p> <p>Nr. 4 pcs. (optional)</p> |
|---|---|



# Lineabox - Under-sink drawer - 2-sided - H 77 mm

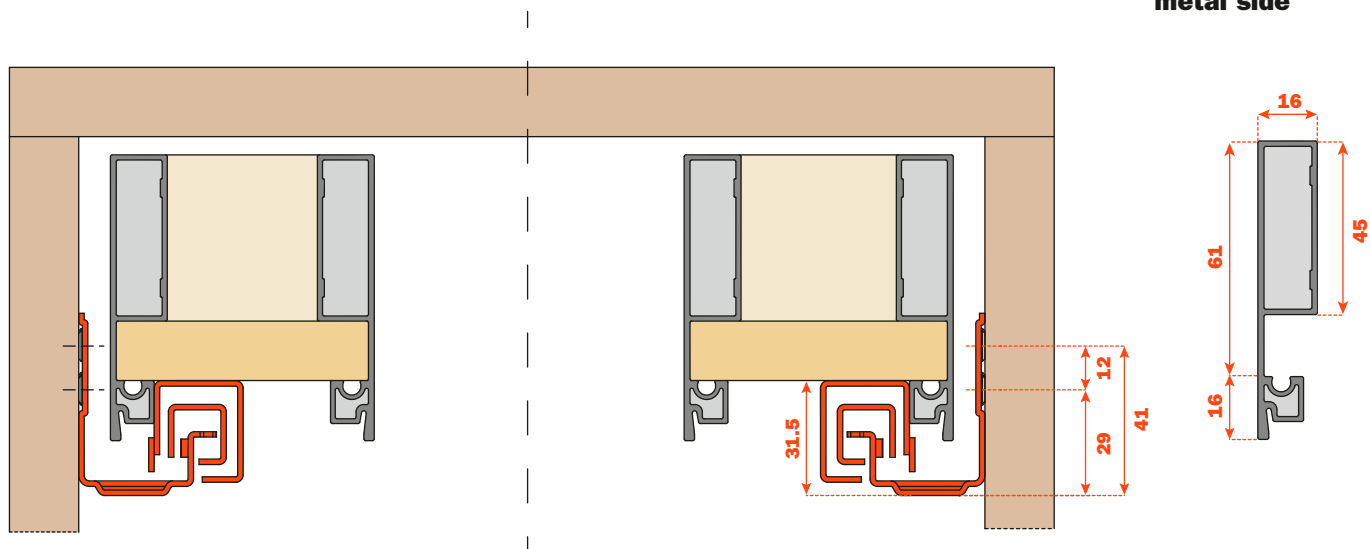


**Lineabox metal sides, wooden frontal and back panel. Height of the side 77 mm - Internal height 45 mm. For use with Futura full-extension runners: 655 - 6557 - 6555 (consult the general catalogue "Runners and drawers").**

- Rapid assembly system, with no machinery or templates needed.
- Rapid mounting and removal of drawer frontal.
- Height, sideways and depth adjustment of the drawer incorporated in the runner fixing clips.
- Bottom thickness:
  - 16 mm
  - 15 mm with insert SMGP15X4XA
- Material: Aluminium
- Sides: 90° cut end
- Finishes:
  - Stainless steel
  - Champagne
  - Titanium
  - White

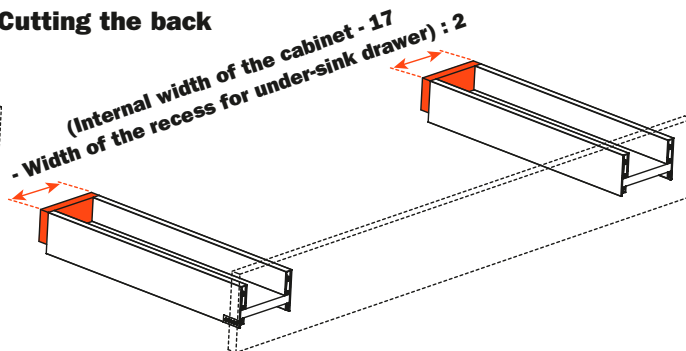
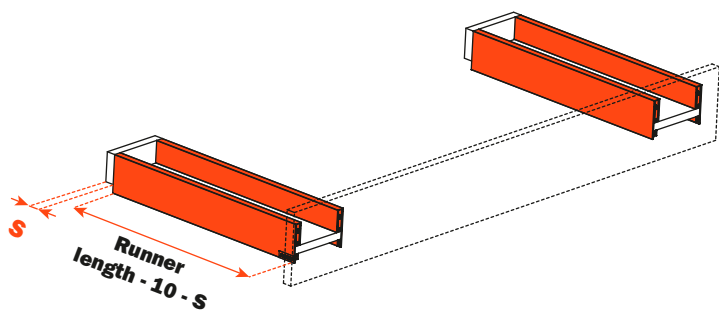
## Dimensions with Futura full-extension runners

## Thickness of the metal side

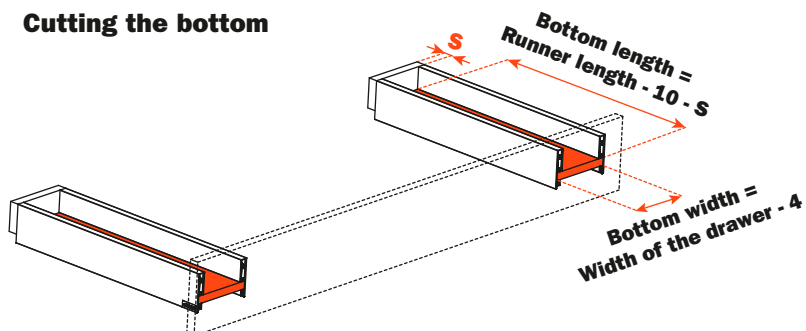


## Cutting the sides

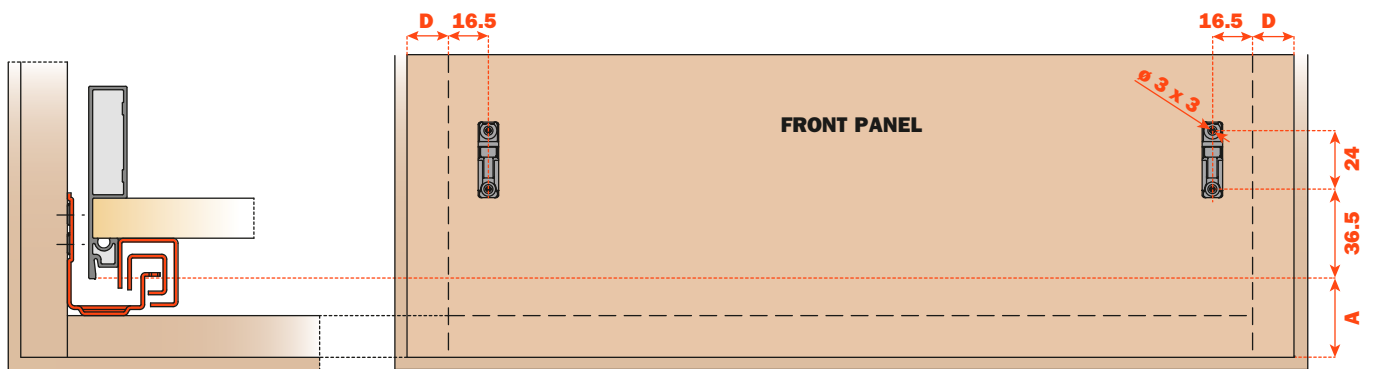
## Cutting the back



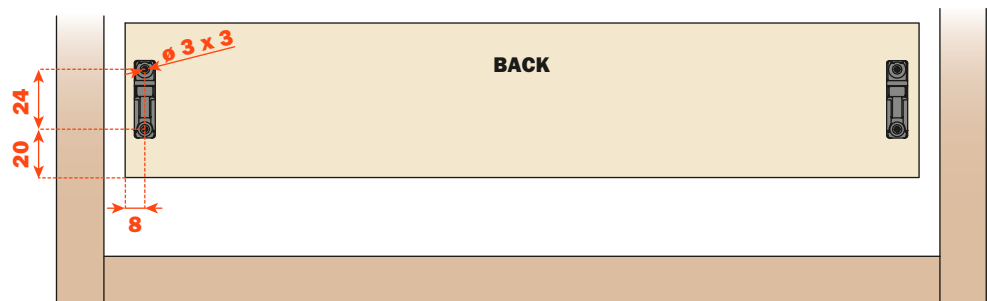
## Cutting the bottom



Frontal drilling

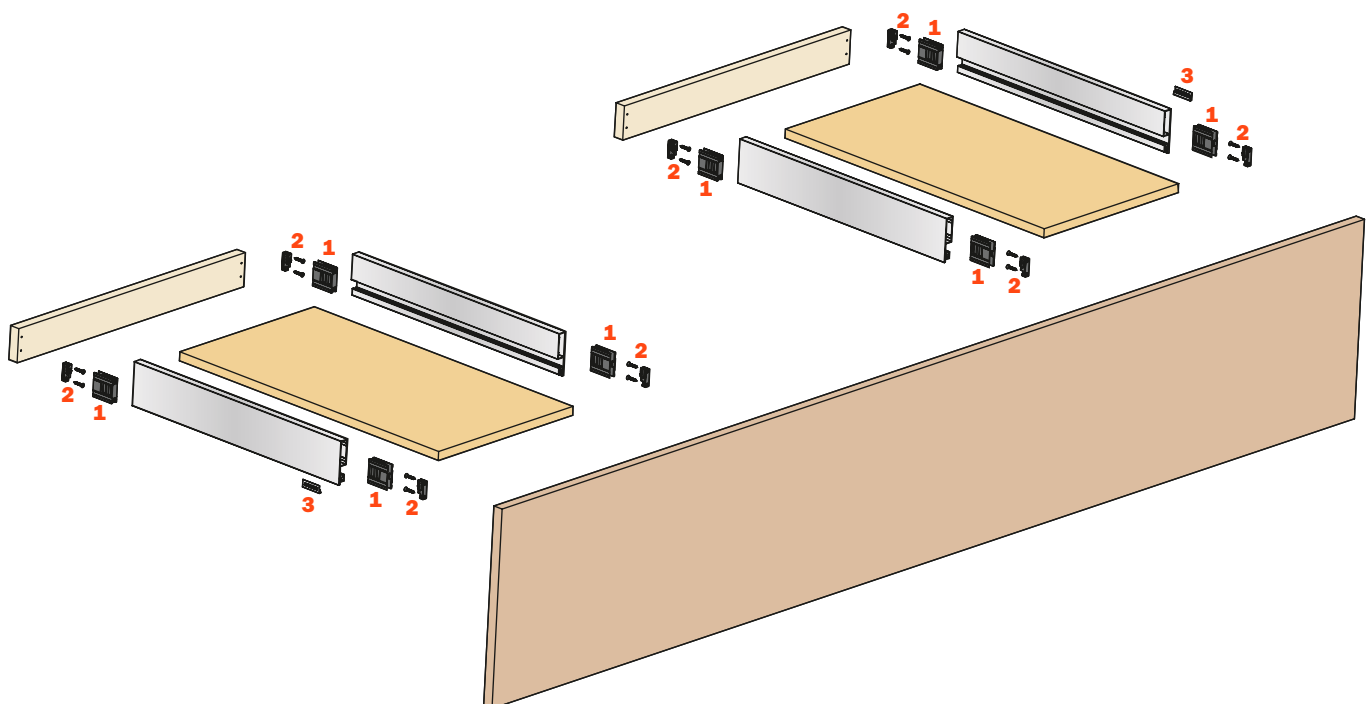


Back drilling



Elements of the drawer

- |   |  |
|---|--|
| <p><b>1</b> Frontal connecting fitting <b>AMGPXA3</b></p> <p><b>2</b> Frontal fixing <b>SMGP12A3XA</b></p> <p><b>3</b> Cover cap<br/>(With embossed logo <b>SCCX83H9</b> - With silk-screen printed logo <b>SCXX83H9</b>)</p> | <p>Nr. 8 pcs.</p> <p>Nr. 8 pcs.</p> <p>Nr. 2 pcs. (optional)</p> |
|---|--|



# Lineabox - Under-sink drawer - 3-sided - H 104 mm

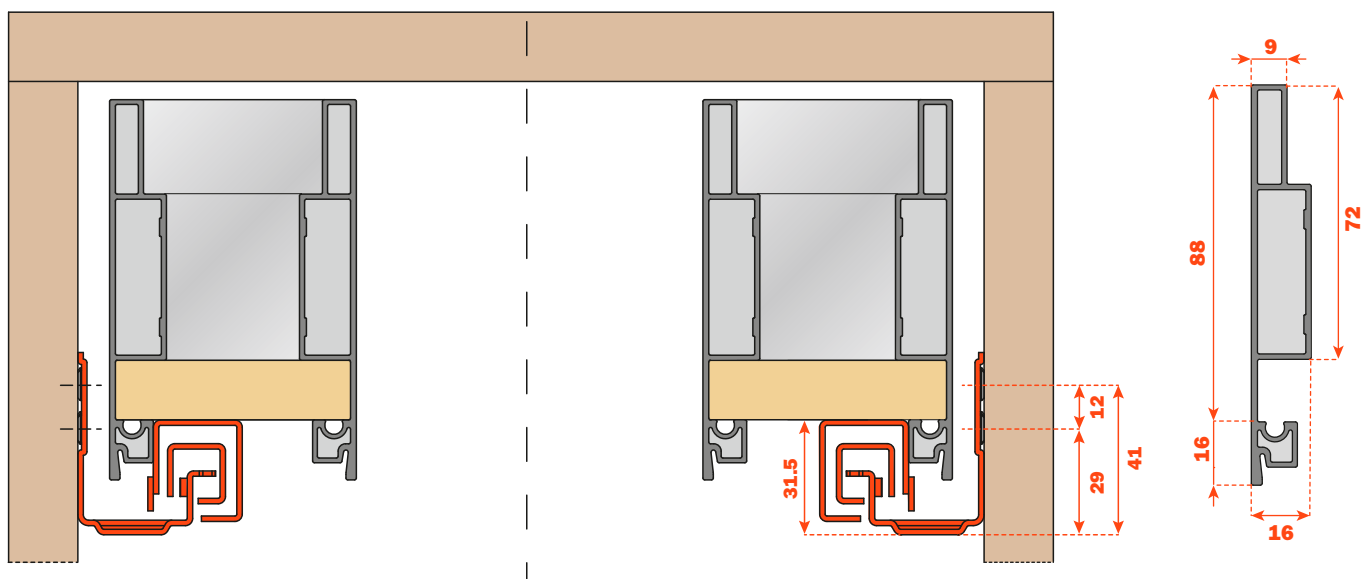


**Height of the side 104 mm - Internal height 72 mm.**  
**For use with Futura full-extension runners: 655 - 6557 - 6555**  
**(consult the general catalogue "Runners and drawers").**

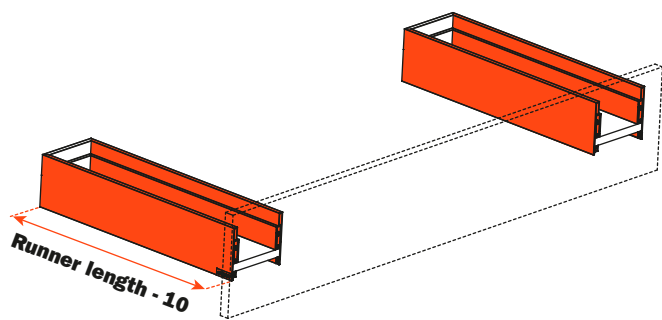
- Rapid assembly system, with no machinery or templates needed.
- Rapid mounting and removal of drawer frontal.
- The back can be personalised according the width of the cabinet.
- Height, sideways and depth adjustment of the drawer incorporated in the runner fixing clips.
- Bottom thickness:
  - 16 mm
  - 15 mm with insert SMGP15X4XA
- Material: Aluminium
- Sides and back: 45° mitre cut end
- Finishes:
  - Stainless steel
  - Champagne
  - Titanium
  - White

## Dimensions with Futura full-extension runners

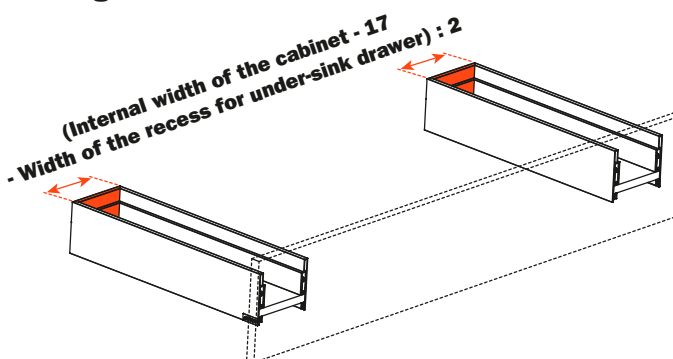
## Thickness of the metal side



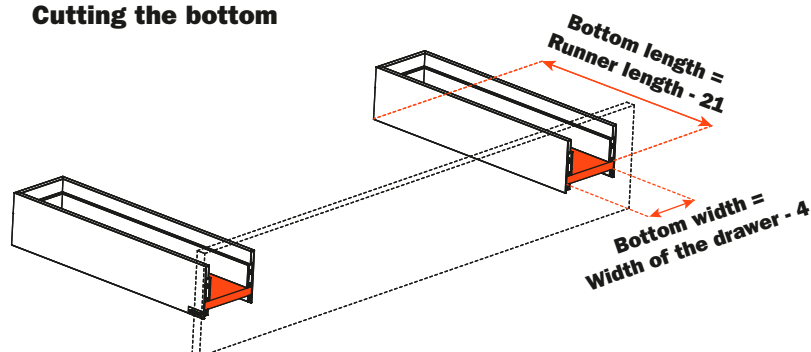
## Cutting the sides



## Cutting the back

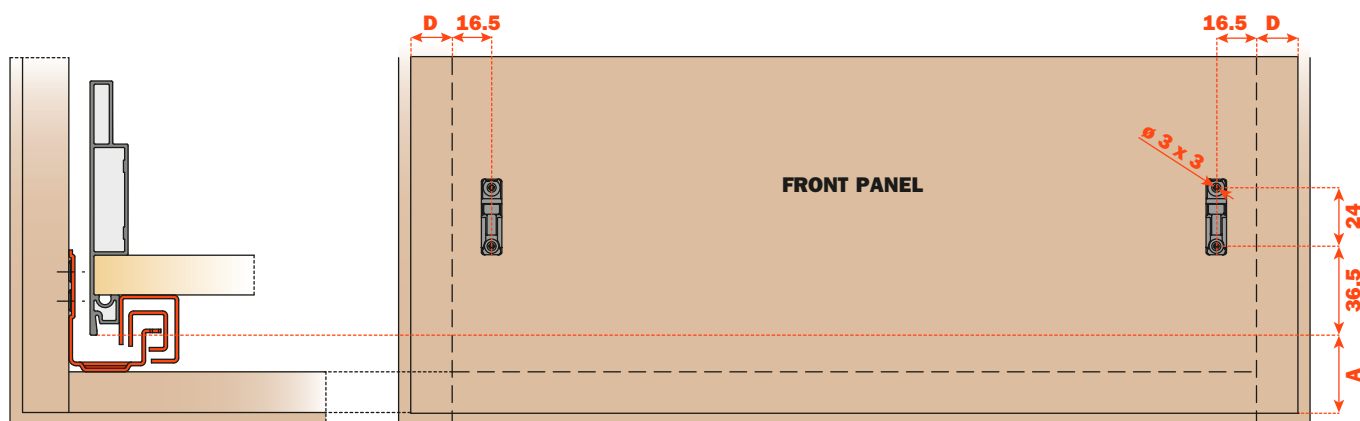


## Cutting the bottom



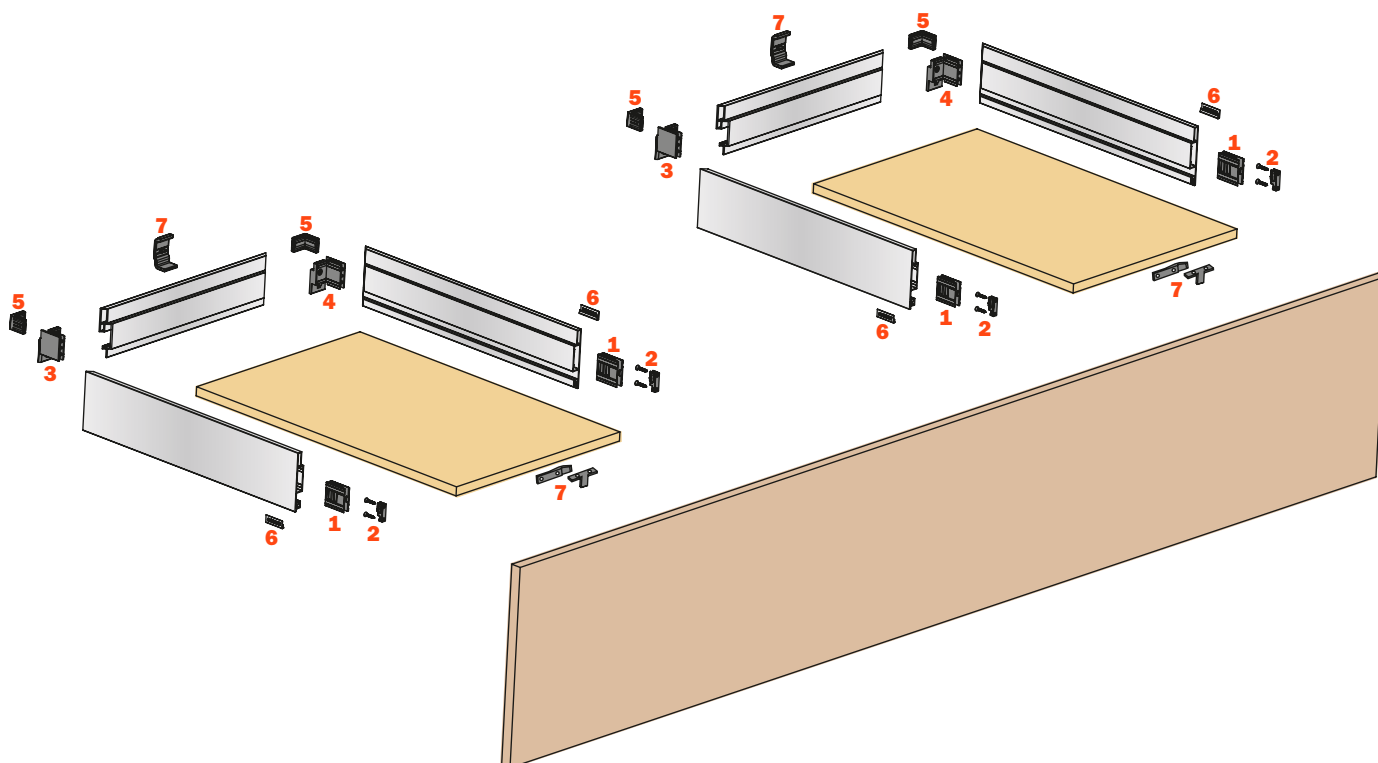


Frontal drilling



Elements of the drawer

- |   |                                |
|---|--------------------------------|
| <b>1</b> Frontal connecting fitting <b>AMGPXA3</b>  | Nr. 4 pcs.                     |
| <b>2</b> Frontal fixing <b>SMGP12A3XA</b>   | Nr. 4 pcs.                     |
| <b>3</b> Left back connecting fitting <b>AMGPSP3</b>  | Nr. 2 pcs.                     |
| <b>4</b> Right back connecting fitting <b>AMGPDP3</b>   | Nr. 2 pcs.                     |
| <b>5</b> Medium corner connector <b>SMGP89P3MA</b>  | Nr. 4 pcs.                     |
| <b>6</b> Cover cap<br>(With embossed logo <b>SCCX83H9</b> - With silk-screen printed logo <b>SCXX83H9</b> ) | Nr. 2 pcs. (optional)          |
| <b>7</b> Reinforcing supports for the bottom of the drawer <b>AMSRX33</b>                                   | Nr. 2 Sets = 6 pcs. (optional) |



# Lineabox - Under-sink drawer - 3-sided - H 180 mm

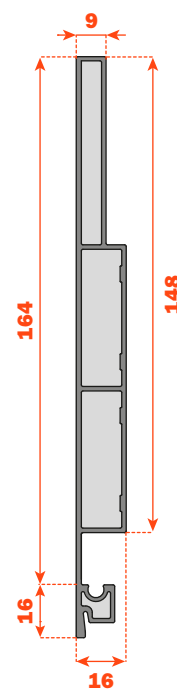
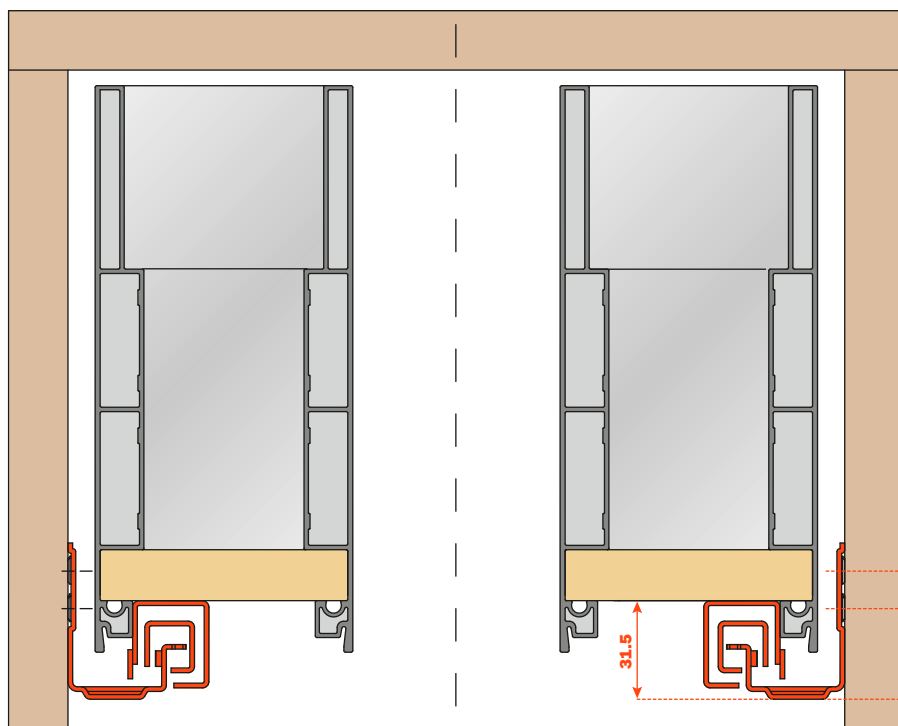


**Height of the side 180 mm - Internal height 148 mm.**  
**For use with Futura full-extension runners: 655 - 6557 - 6555**  
**(consult the general catalogue "Runners and drawers").**

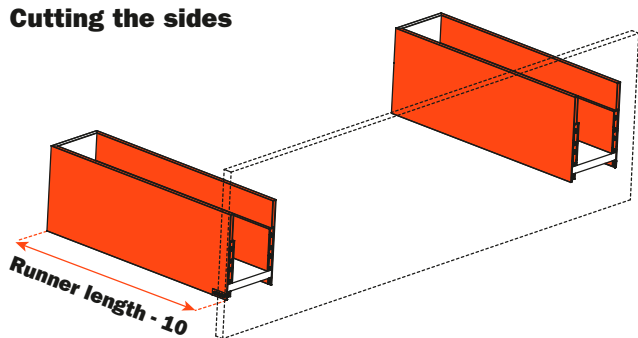
- Rapid assembly system, with no machinery or templates needed.
- Rapid mounting and removal of drawer frontal.
- The back can be personalised according the width of the cabinet.
- Height, sideways and depth adjustment of the drawer incorporated in the runner fixing clips.
- Bottom thickness:
  - 16 mm
  - 15 mm with insert SMGP15X4XA
- Material: Aluminium
- Sides and back: 45° mitre cut end
- Finishes:
  - Stainless steel
  - Champagne
  - Titanium
  - White

## Dimensions with Futura full-extension runners

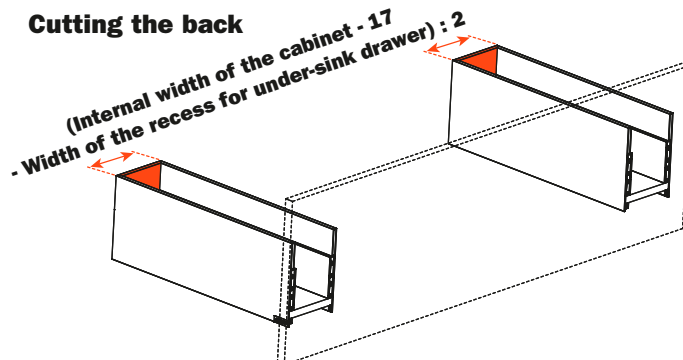
## Thickness of the metal side



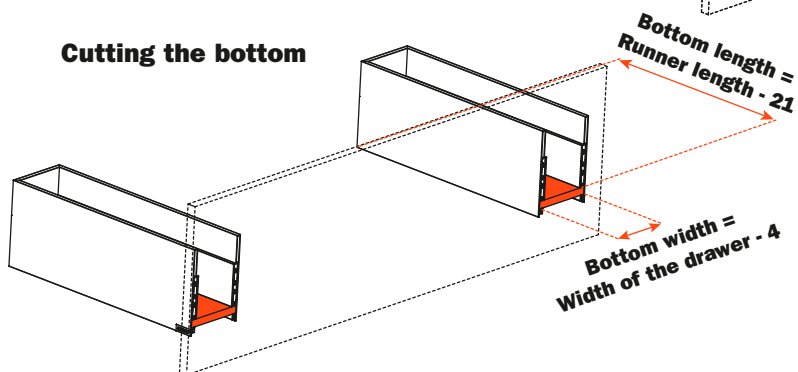
## Cutting the sides



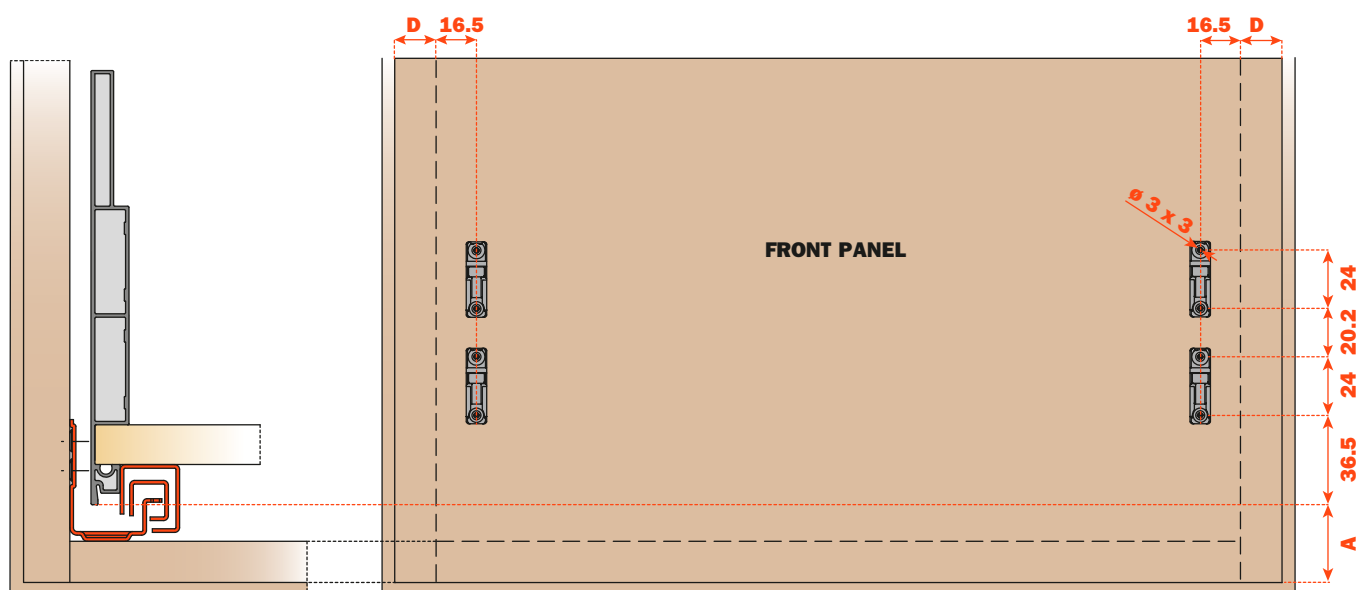
## Cutting the back



## Cutting the bottom

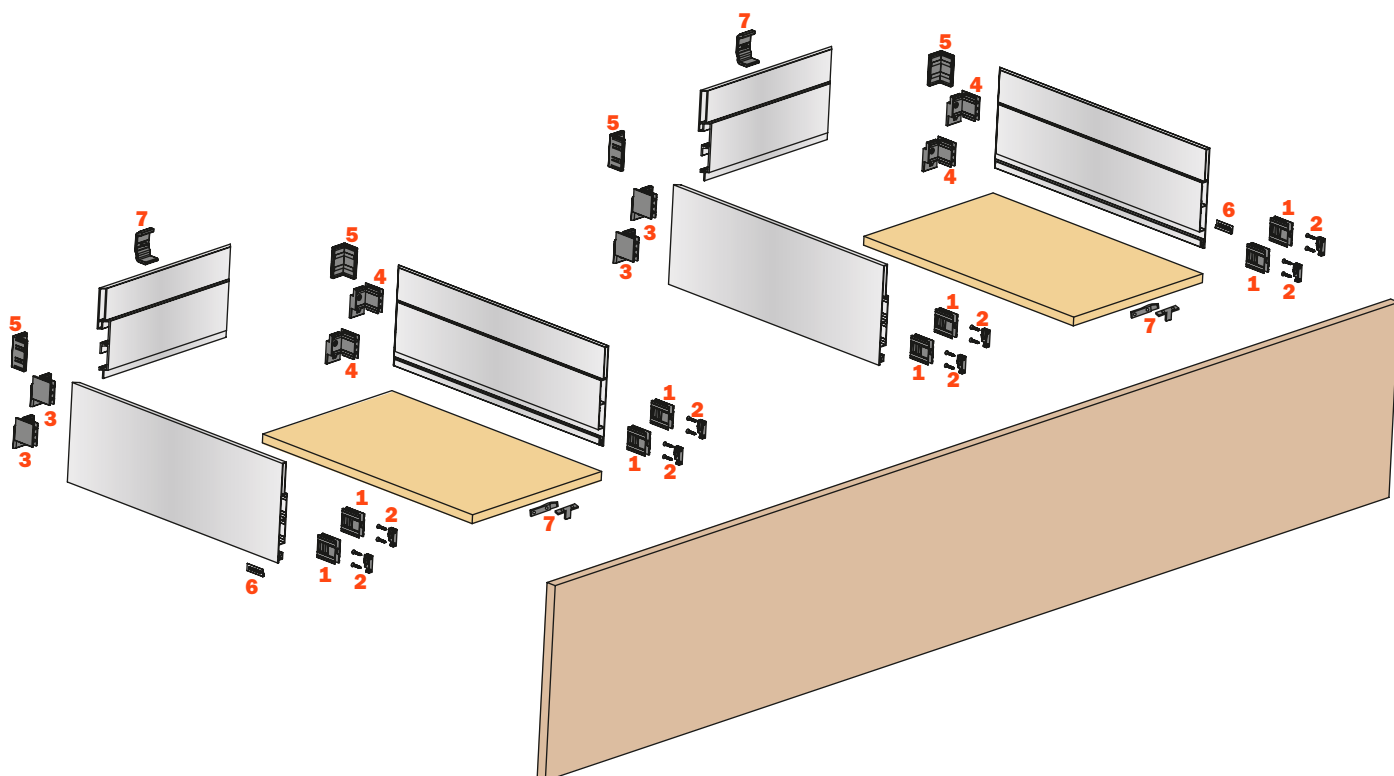


Frontal drilling



Elements of the drawer

- |   |                                |
|---|--------------------------------|
| <b>1</b> Frontal connecting fitting <b>AMGPXA3</b>  | Nr. 8 pcs.                     |
| <b>2</b> Frontal fixing <b>SMGP12A3XA</b>   | Nr. 8 pcs.                     |
| <b>3</b> Left back connecting fitting <b>AMGPSP3</b>  | Nr. 4 pcs.                     |
| <b>4</b> Right back connecting fitting <b>AMGPDP3</b>   | Nr. 4 pcs.                     |
| <b>5</b> High corner connector <b>SMGP89P3AA</b>  | Nr. 4 pcs.                     |
| <b>6</b> Cover cap<br>(With embossed logo <b>SCCX83H9</b> - With silk-screen printed logo <b>SCXX83H9</b> ) | Nr. 2 pcs. (optional)          |
| <b>7</b> Reinforcing supports for the bottom of the drawer <b>AMSRX33</b>                                   | Nr. 2 Sets = 6 pcs. (optional) |



# Lineabox - Under-sink drawer - 3-sided - H 77 mm

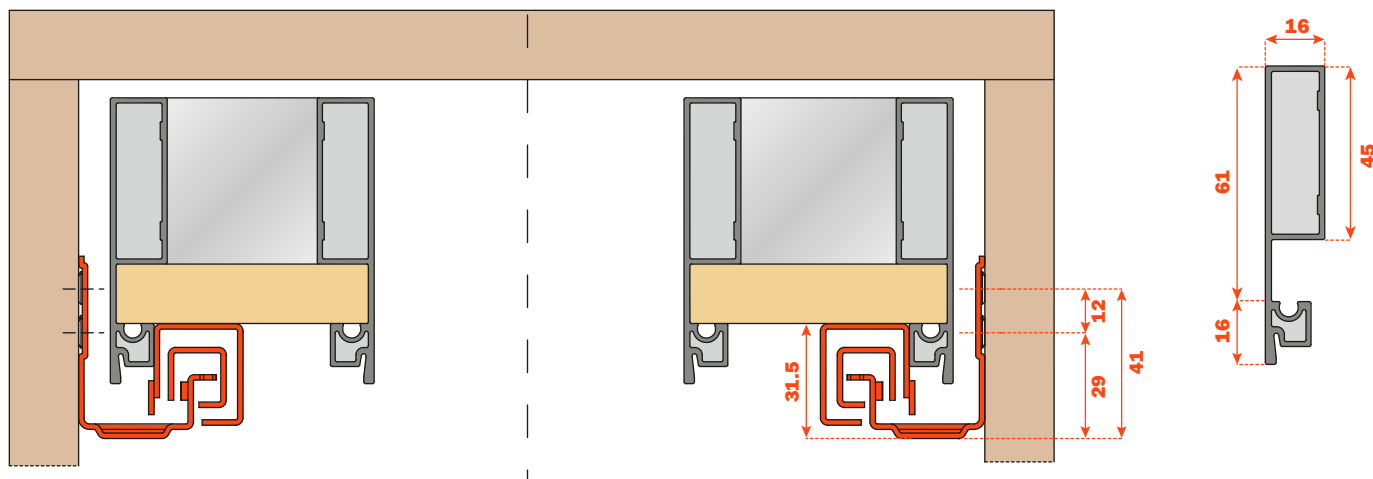


**Height of the side 77 mm - Internal height 45 mm.**  
**For use with Futura full-extension runners: 655 - 6557 - 6555**  
**(consult the general catalogue "Runners and drawers").**

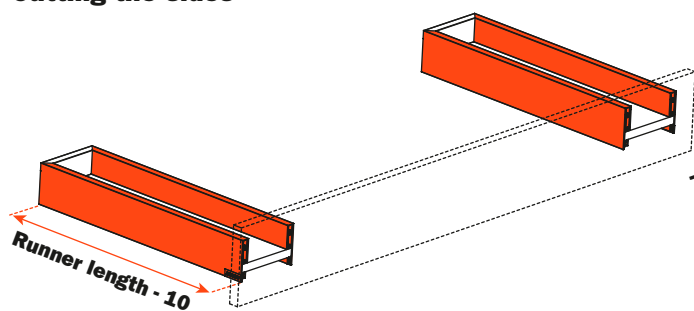
- Rapid assembly system, with no machinery or templates needed.
- Rapid mounting and removal of drawer frontal.
- The back can be personalised according the width of the cabinet.
- Height, sideways and depth adjustment of the drawer incorporated in the runner fixing clips.
- Bottom thickness:
  - 16 mm
  - 15 mm with insert SMGP15X4XA
- Material: Aluminium
- Sides and back: 45° mitre cut end
- Finishes:
  - Stainless steel
  - Champagne
  - Titanium
  - White

## Dimensions with Futura full-extension runners

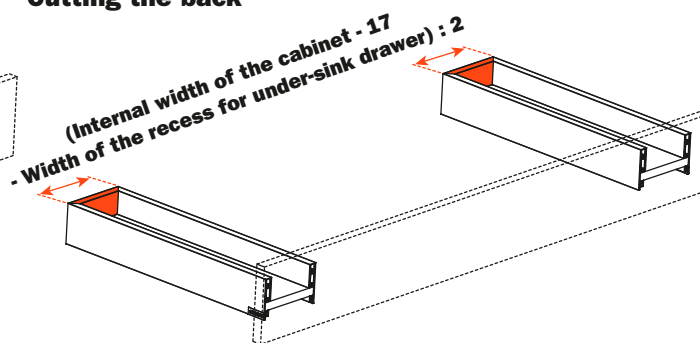
## Thickness of the metal side



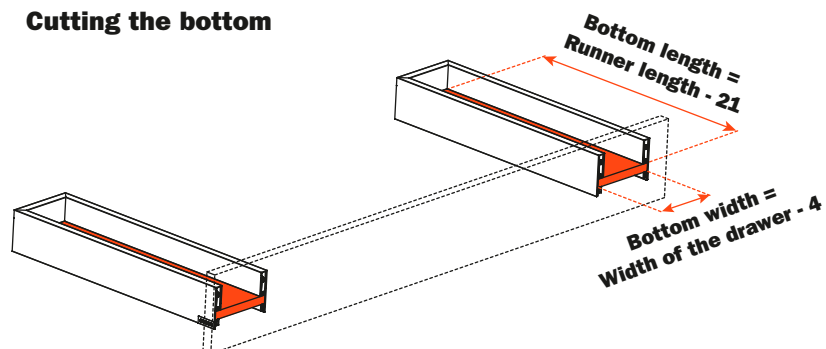
## Cutting the sides



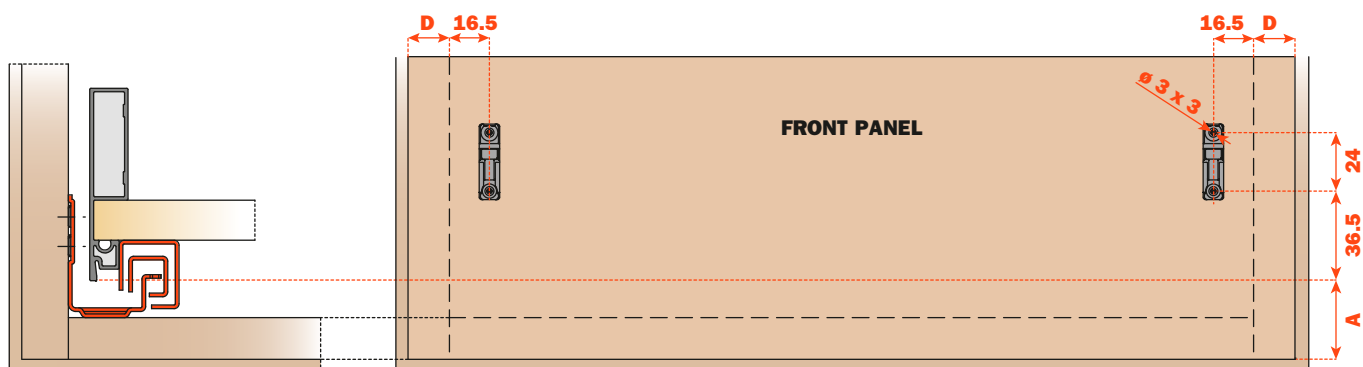
## Cutting the back



## Cutting the bottom

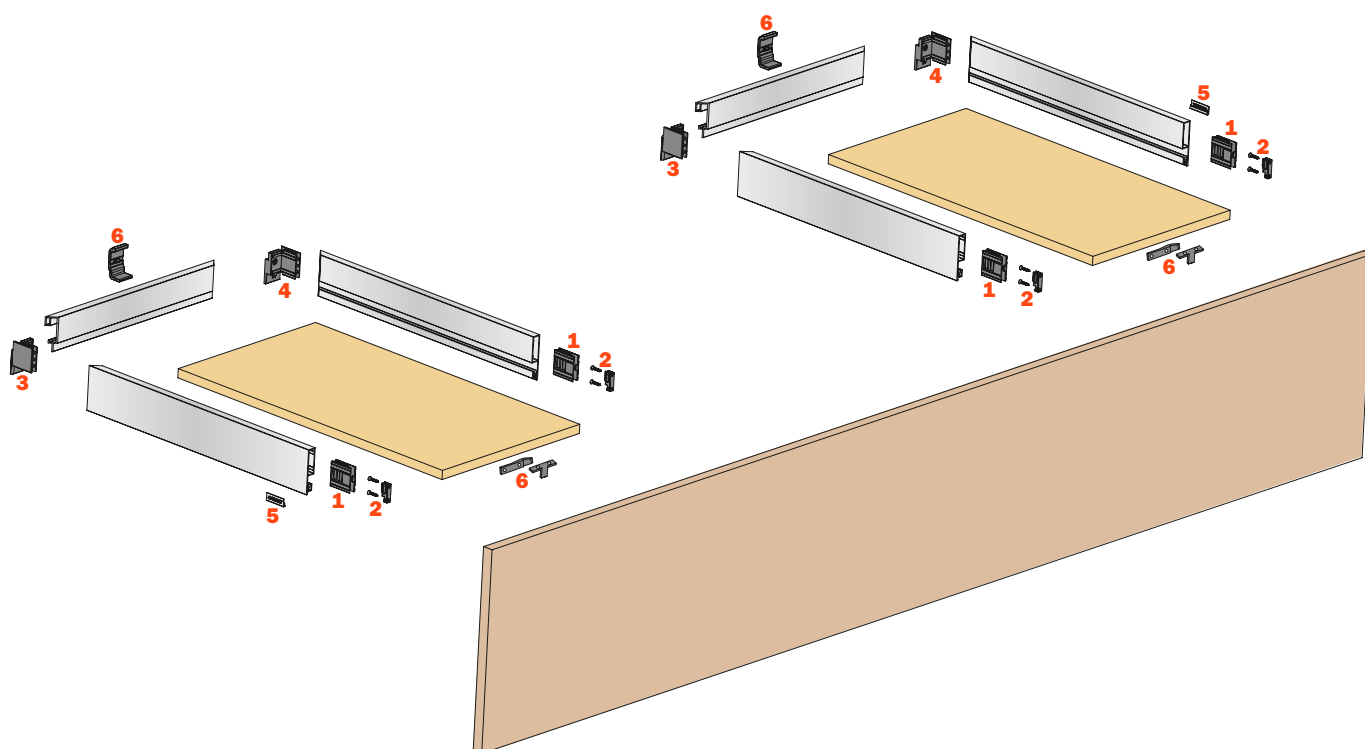


Frontal drilling



Elements of the drawer

- |   |                                |
|---|--------------------------------|
| <b>1</b> Frontal connecting fitting <b>AMGPXA3</b>  | Nr. 4 pcs.                     |
| <b>2</b> Frontal fixing <b>SMGP12A3XA</b>   | Nr. 4 pcs.                     |
| <b>3</b> Left back connecting fitting <b>AMGPSP3</b>  | Nr. 2 pcs.                     |
| <b>4</b> Right back connecting fitting <b>AMGPDP3</b>   | Nr. 2 pcs.                     |
| <b>5</b> Cover cap<br>(With embossed logo <b>SCCX83H9</b> - With silk-screen printed logo <b>SCXX83H9</b> ) | Nr. 2 pcs. (optional)          |
| <b>6</b> Reinforcing supports for the bottom of the drawer <b>AMSRX33</b>                                   | Nr. 2 Sets = 6 pcs. (optional) |



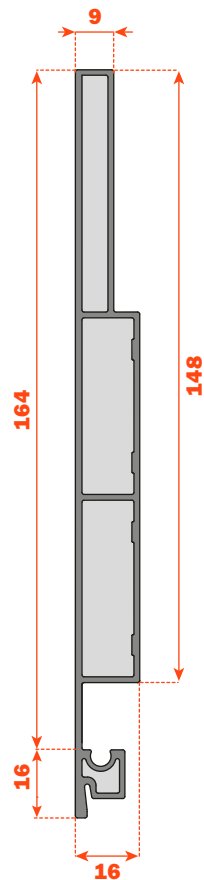
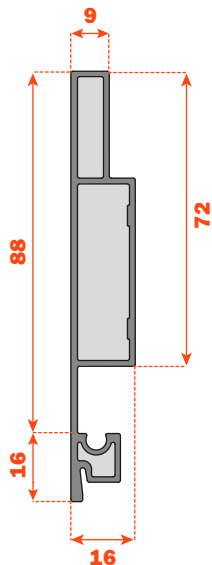
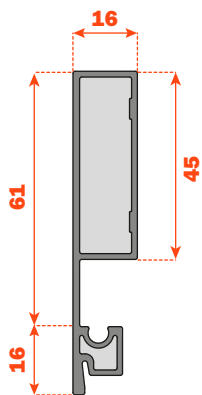
## Lineabox - Pull-out column unit



**Sectional column unit according to customer requirements.  
For use with Futura full-extension runners: 655 - 6557 - 6555  
(consult the general catalogue "Runners and drawers").**

- Rapid assembly system, with no machinery or templates needed.
- Rapid mounting and removal of drawer frontal.
- Height, sideways and depth adjustment of the drawer incorporated in the runner fixing clips.
- Bottom thickness:
  - 16 mm
  - 15 mm with insert SMGP15X4XA
- Material: Aluminium
- Sides: 90° cut end
- Finishes:
  - Stainless steel
  - Champagne
  - Titanium
  - White

### Heights and thickness of the metal side

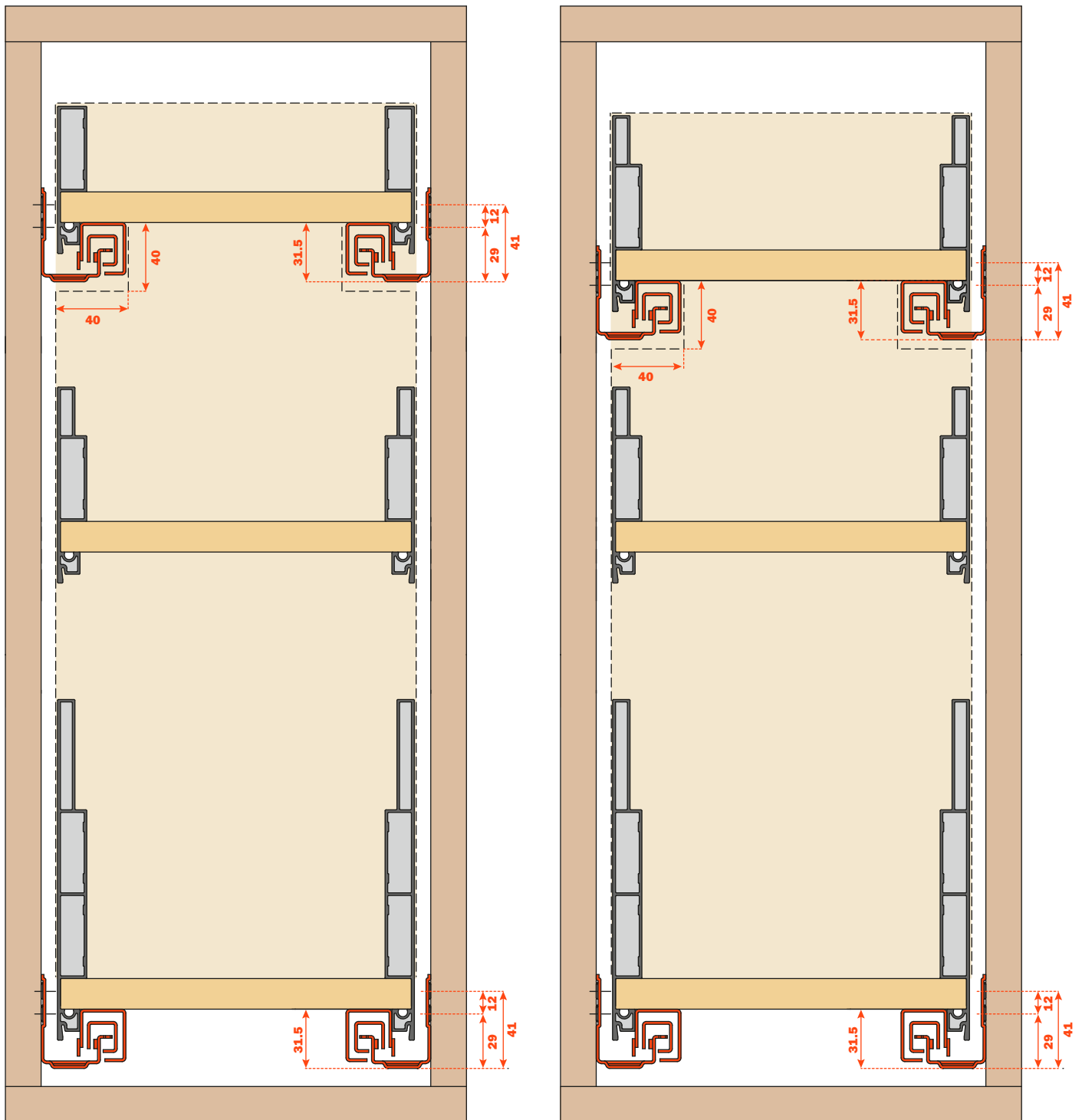




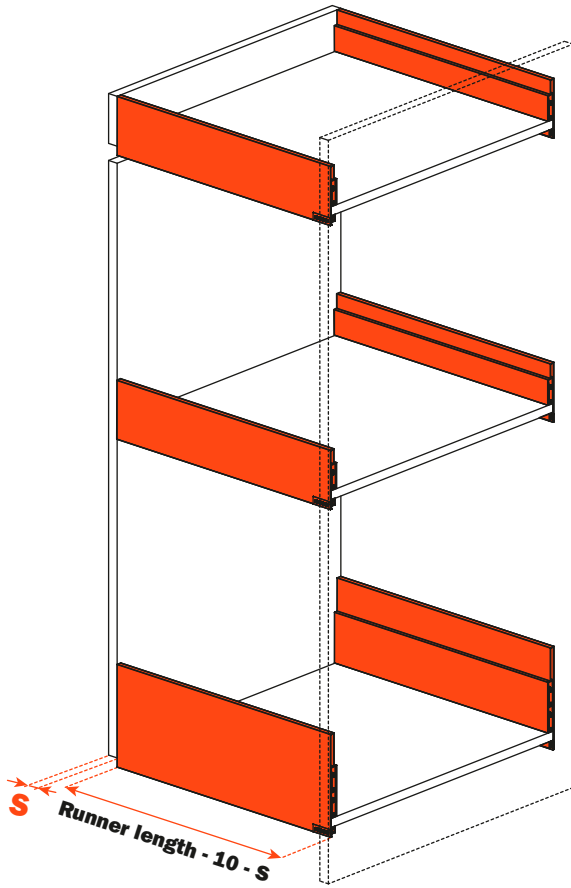
## Dimensions with Futura full-extension runners

### Assembly example

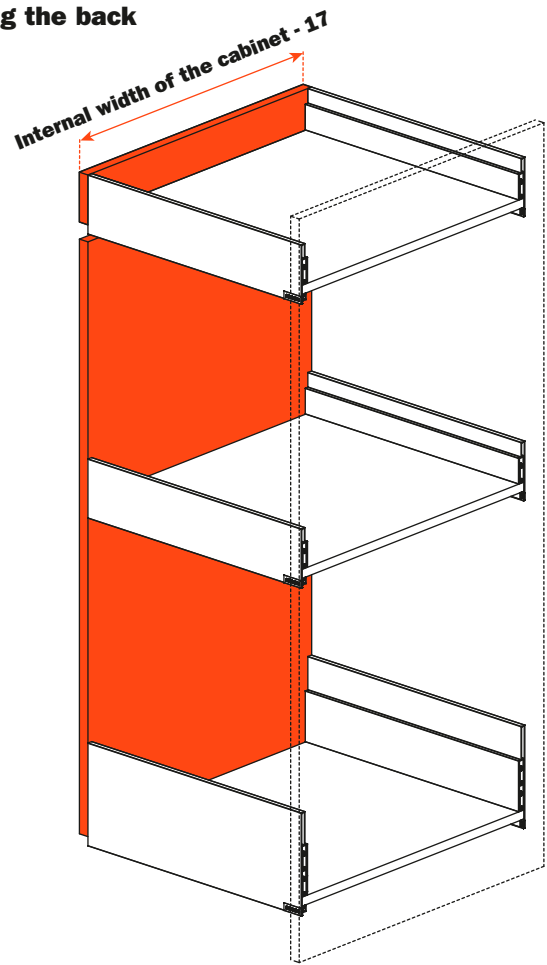
Number, height and width of the drawers can be varied to create different solutions.



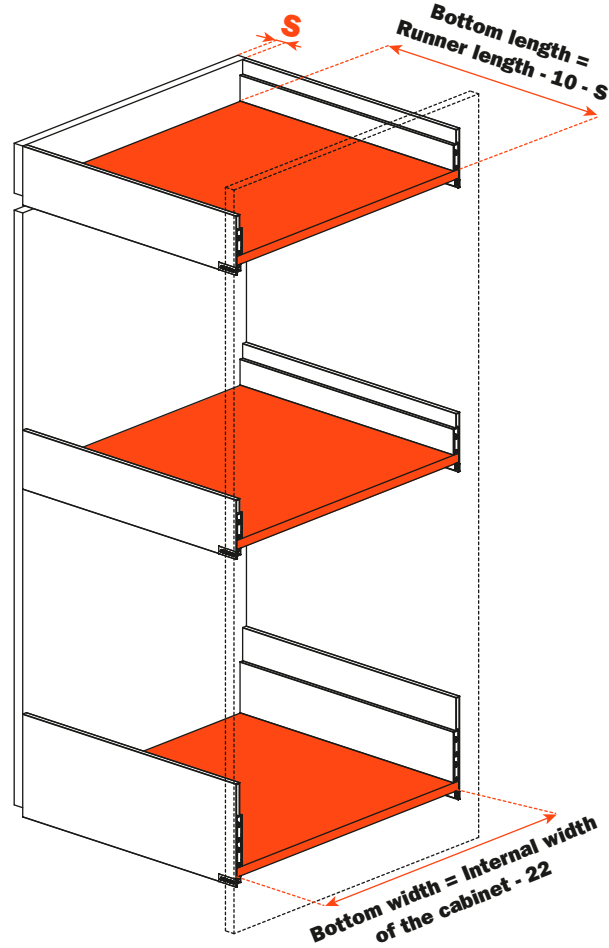
Cutting the sides



Cutting the back

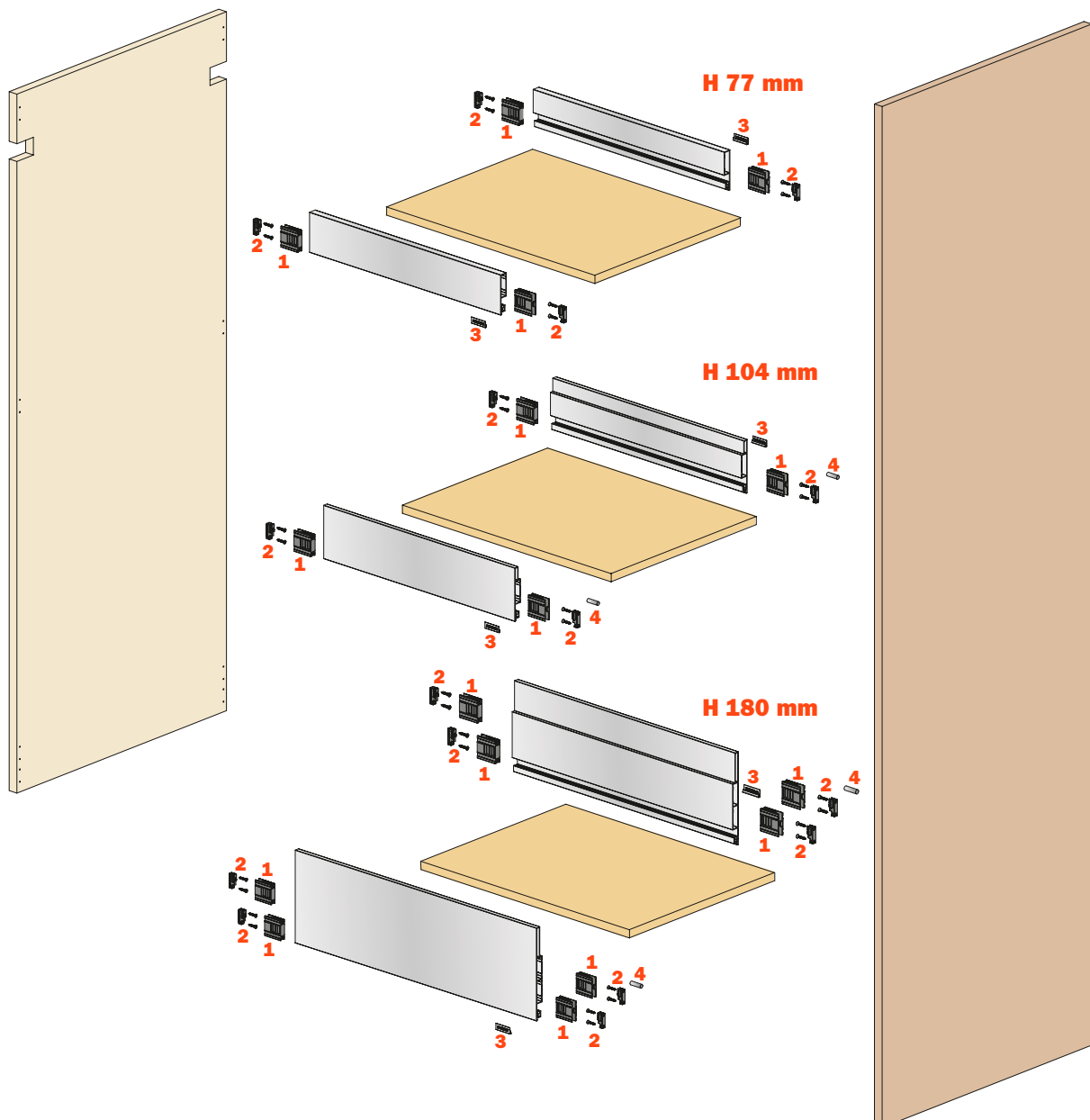


Cutting the bottom



## Elements of the pull-out column unit

<b>H 77 mm</b>	<b>1</b> Frontal connecting fitting <b>AMGPXA3</b>	Nr. 4 pcs.
	<b>2</b> Frontal fixing <b>SMGP12A3XA</b>	Nr. 4 pcs.
	<b>3</b> Cover cap (With embossed logo <b>SCCX83H9</b> - With silk-screen printed logo <b>SCXX83H9</b> )	Nr. 2 pcs. (optional)
<b>H 104 mm</b>	<b>1</b> Frontal connecting fitting <b>AMGPXA3</b>	Nr. 4 pcs.
	<b>2</b> Frontal fixing <b>SMGP12A3XA</b>	Nr. 4 pcs.
	<b>3</b> Cover cap (With embossed logo <b>SCCX83H9</b> - With silk-screen printed logo <b>SCXX83H9</b> )	Nr. 2 pcs. (optional)
	<b>4</b> Stabilizer pin for 2-sided drawers $\varnothing$ 6 mm Frontal drilling $\varnothing$ 5 mm <b>SMGP21X4XA</b>	Nr. 2 pcs. (optional)
<b>H 180 mm</b>	<b>1</b> Frontal connecting fitting <b>AMGPXA3</b>	Nr. 8 pcs.
	<b>2</b> Frontal fixing <b>SMGP12A3XA</b>	Nr. 8 pcs.
	<b>3</b> Cover cap (With embossed logo <b>SCCX83H9</b> - With silk-screen printed logo <b>SCXX83H9</b> )	Nr. 2 pcs. (optional)
	<b>4</b> Stabilizer pin for 2-sided drawers $\varnothing$ 6 mm Frontal drilling $\varnothing$ 5 mm <b>SMGP21X4XA</b>	Nr. 2 pcs. (optional)



## Lineabox - Pull-out high storage units

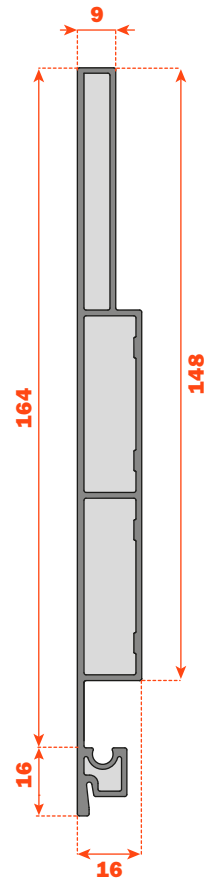
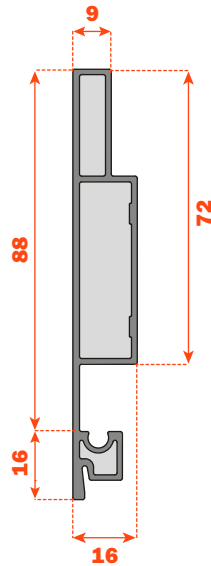
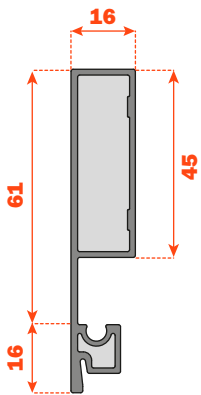


**Sectional pull-out high-storage units according to customer requirements.**

**For Shelf-runners and all Futura full-extension runners: 655 - 6557 - 6555 (consult the general catalogue "Runners and drawers").**

- Rapid assembly system, with no machinery or templates needed.
- Rapid mounting and removal of drawer frontal.
- Height, sideways and depth adjustment of the drawer incorporated in the runner fixing clips.
- Bottom thickness:
  - 16 mm
  - 15 mm with insert SMGP15X4XA
- Material: Aluminium
- Sides: 90° cut end
- Finishes:
  - Stainless steel
  - Champagne
  - Titanium
  - White

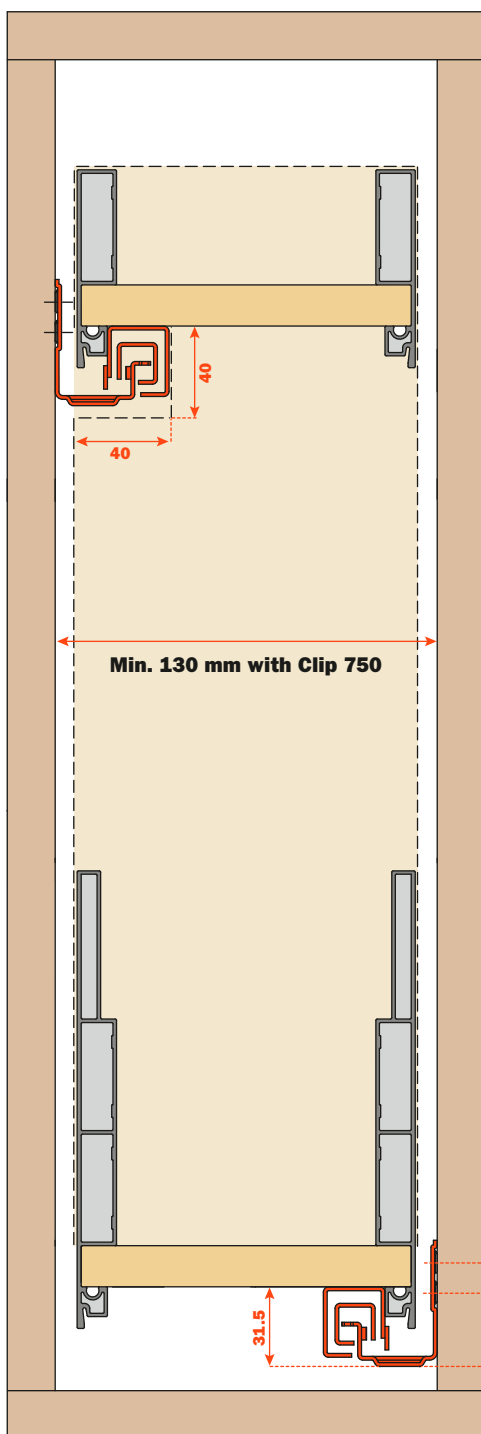
### Heights and thickness of the metal side



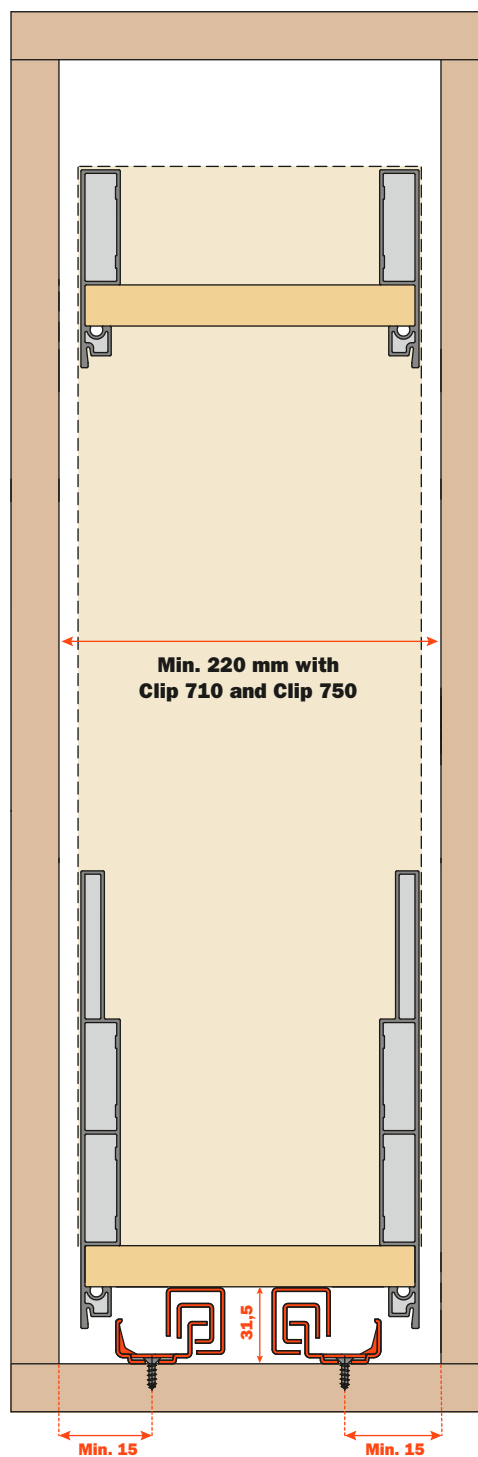
## Dimensions with Futura full-extension runners and with Shelf-runners

### Assembly example

Number, height and width of the drawers can be varied to create different solutions.

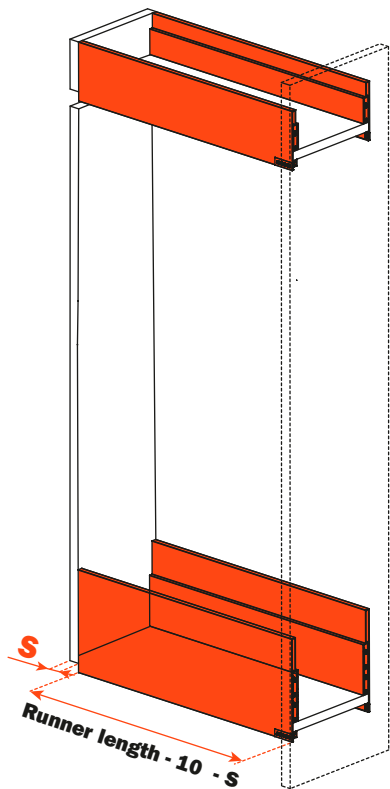


Assembly with Futura-runners

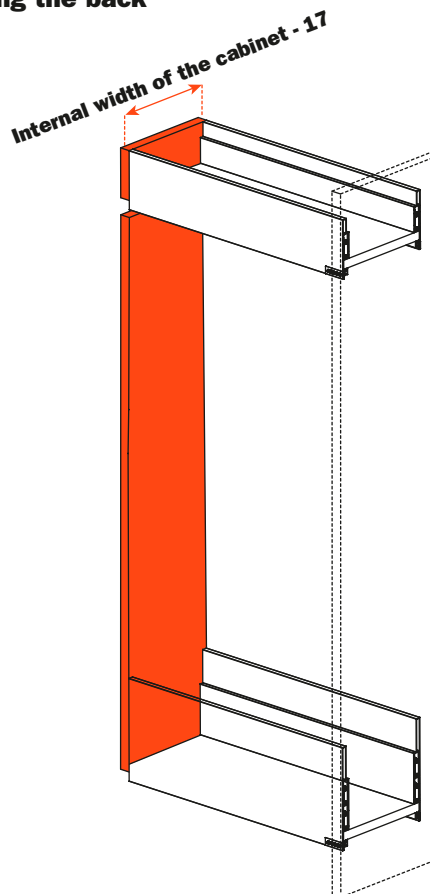


Assembly with Shelf-runners

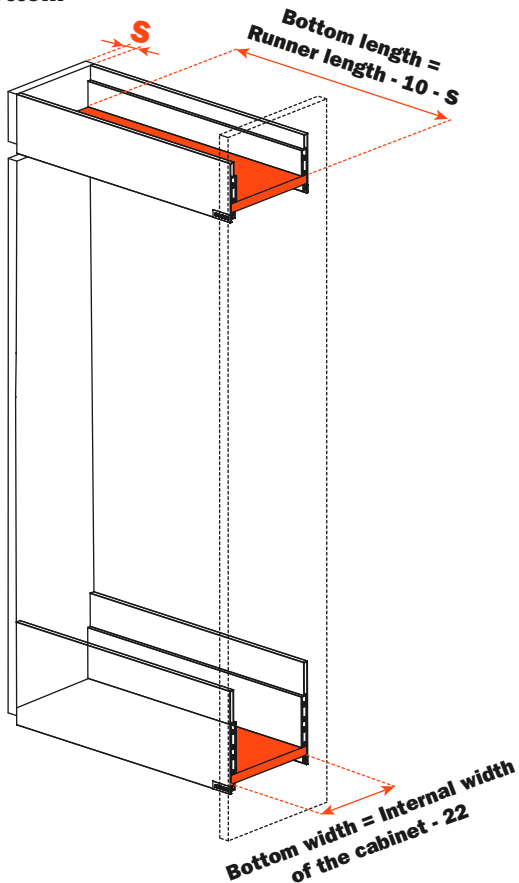
Cutting the sides



Cutting the back



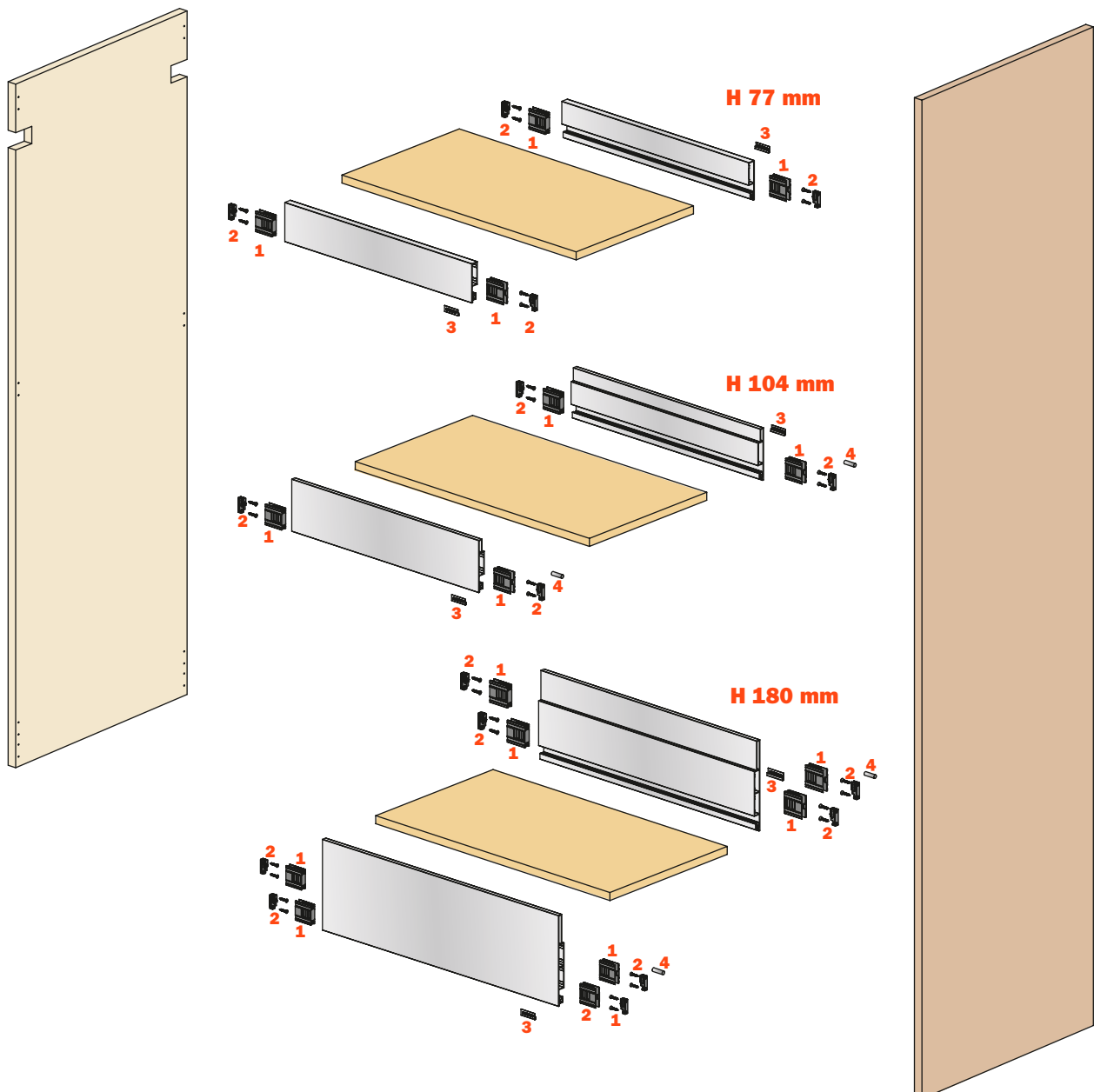
Cutting the bottom





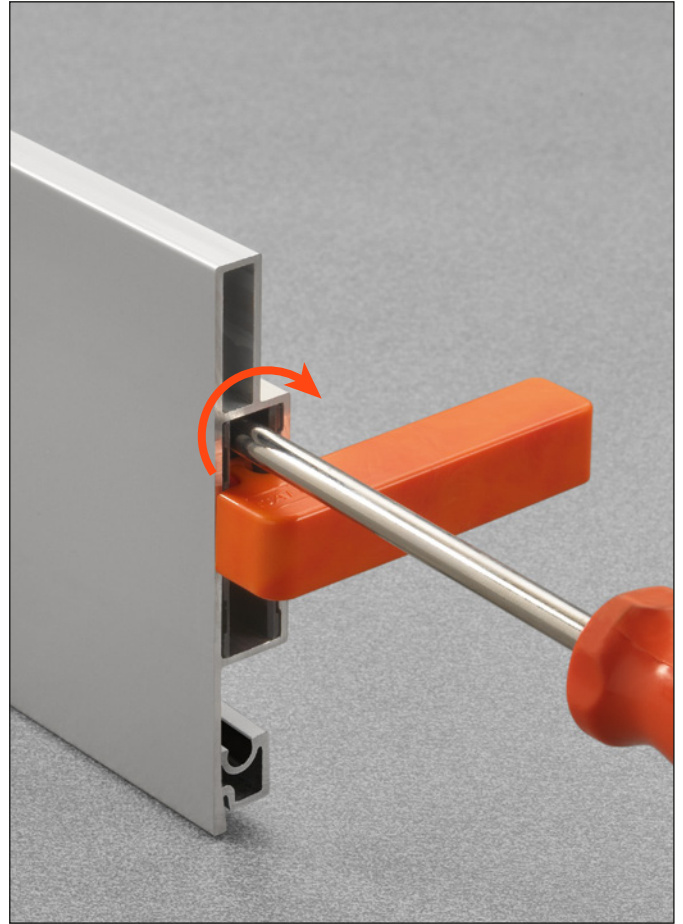
## Elements of the pull-out high storage unit

<b>H 77 mm</b>	<b>1</b> Frontal connecting fitting <b>AMGPXA3</b>	Nr. 4 pcs.
	<b>2</b> Frontal fixing <b>SMGP12A3XA</b>	Nr. 4 pcs.
	<b>3</b> Cover cap (With embossed logo <b>SCCX83H9</b> - With silk-screen printed logo <b>SCXX83H9</b> )	Nr. 2 pcs. (optional)
<b>H 104 mm</b>	<b>1</b> Frontal connecting fitting <b>AMGPXA3</b>	Nr. 4 pcs.
	<b>2</b> Frontal fixing <b>SMGP12A3XA</b>	Nr. 4 pcs.
	<b>3</b> Cover cap (With embossed logo <b>SCCX83H9</b> - With silk-screen printed logo <b>SCXX83H9</b> )	Nr. 2 pcs. (optional)
	<b>4</b> Stabilizer pin for 2-sided drawers $\varnothing$ 6 mm Frontal drilling $\varnothing$ 5 mm <b>SMGP21X4XA</b>	Nr. 2 pcs. (optional)
<b>H 180 mm</b>	<b>1</b> Frontal connecting fitting <b>AMGPXA3</b>	Nr. 8 pcs.
	<b>2</b> Frontal fixing <b>SMGP12A3XA</b>	Nr. 8 pcs.
	<b>3</b> Cover cap (With embossed logo <b>SCCX83H9</b> - With silk-screen printed logo <b>SCXX83H9</b> )	Nr. 2 pcs. (optional)
	<b>4</b> Stabilizer pin for 2-sided drawers $\varnothing$ 6 mm Frontal drilling $\varnothing$ 5 mm <b>SMGP21X4XA</b>	Nr. 2 pcs. (optional)

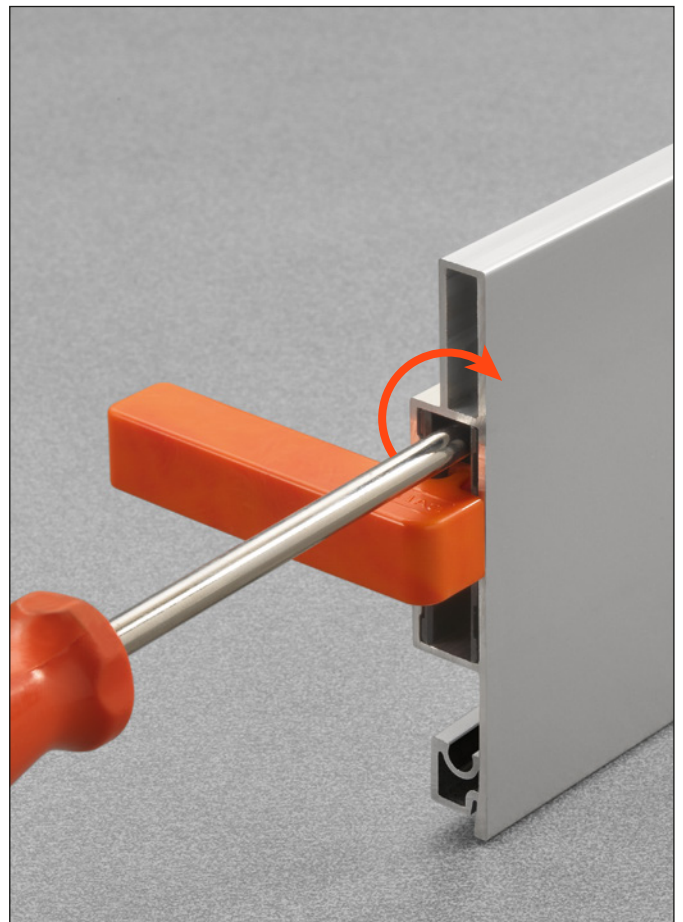


# Lineabox - 2-sided - Assembly features

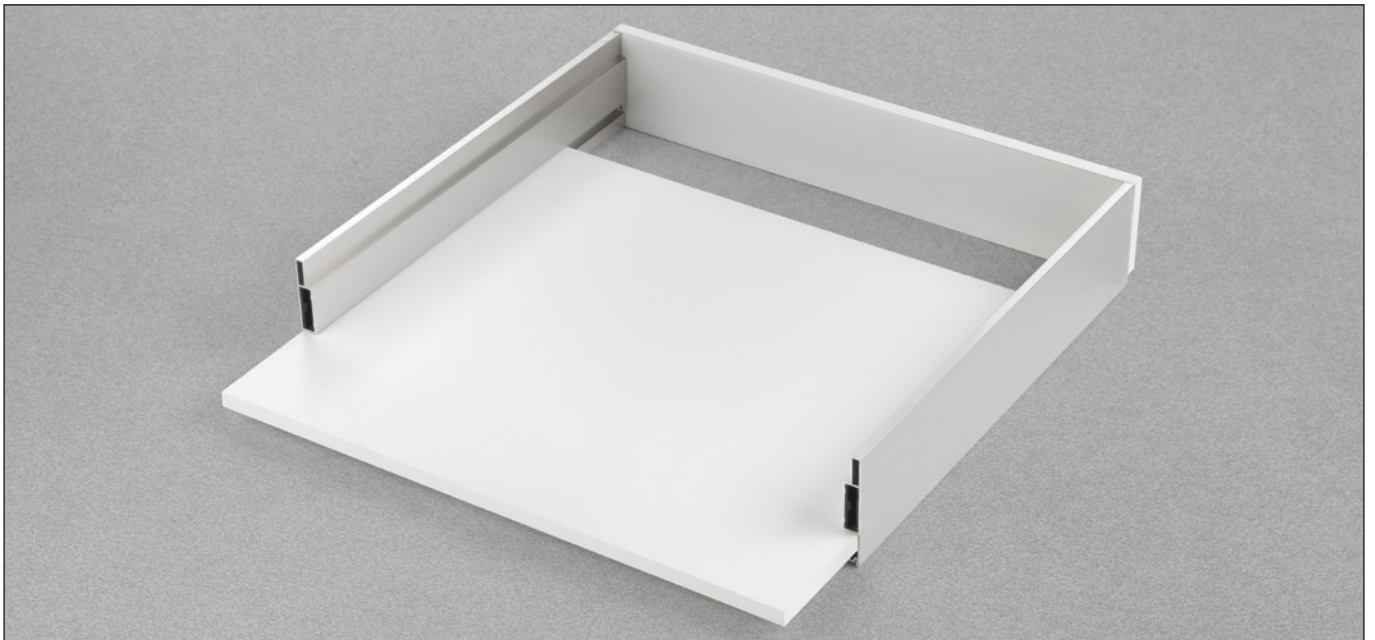
## Front



## Back



**Back**

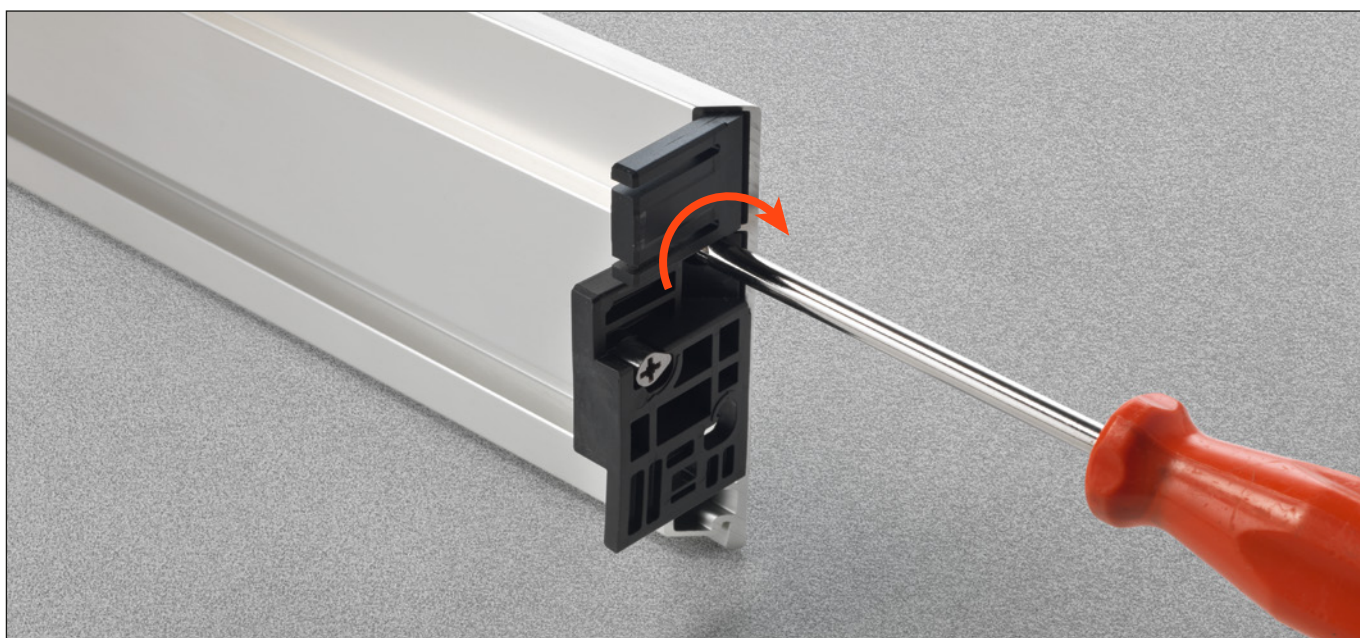
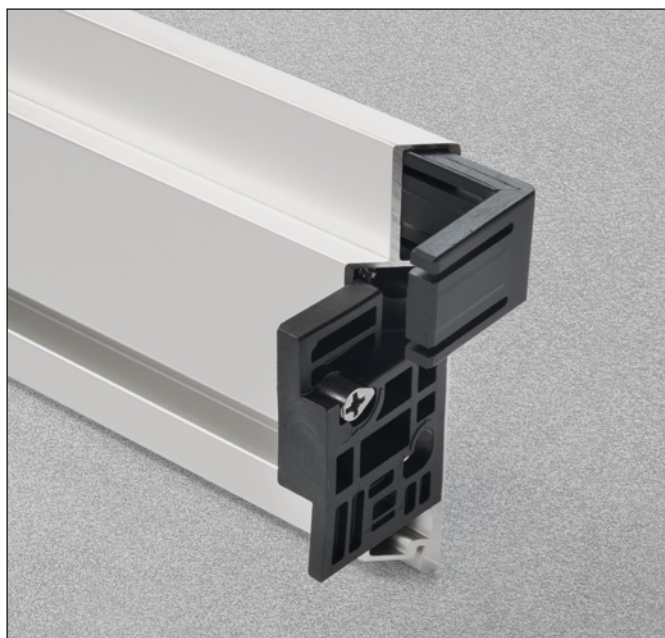
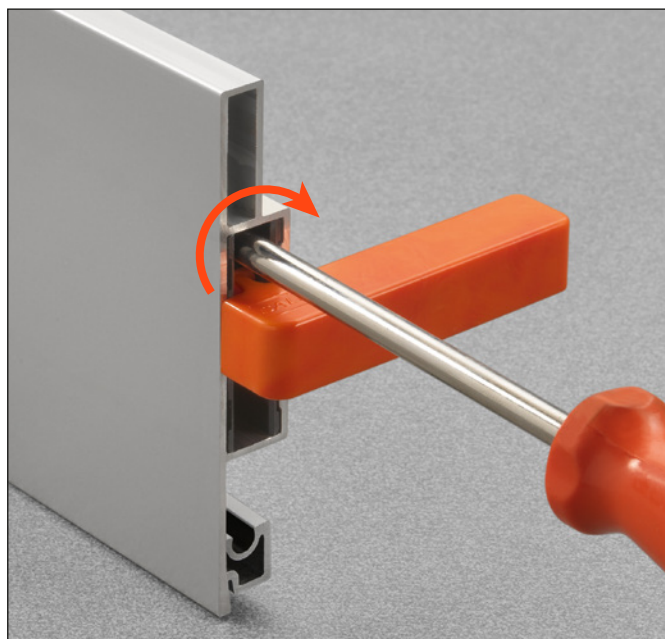
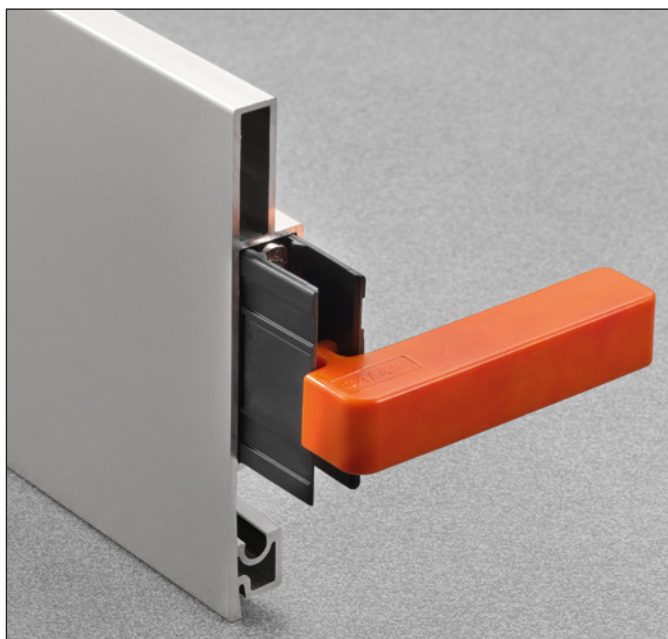


**Front**

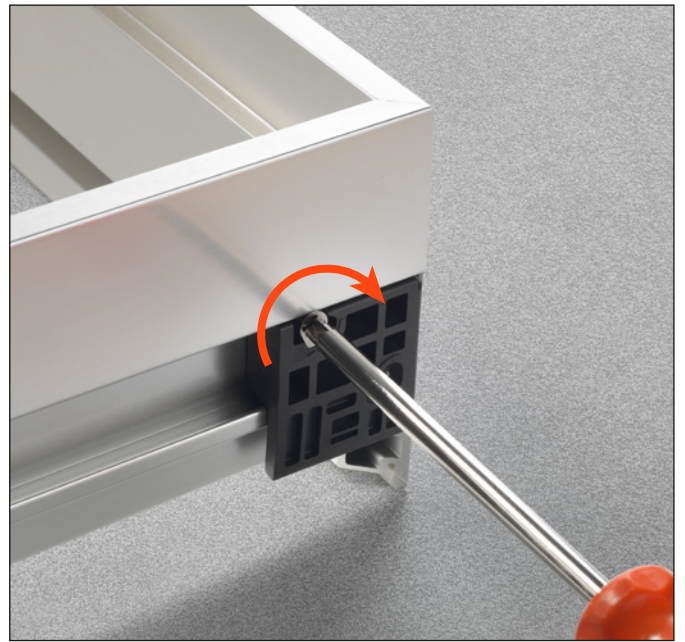




## Lineabox - 3-sided - Assembly features

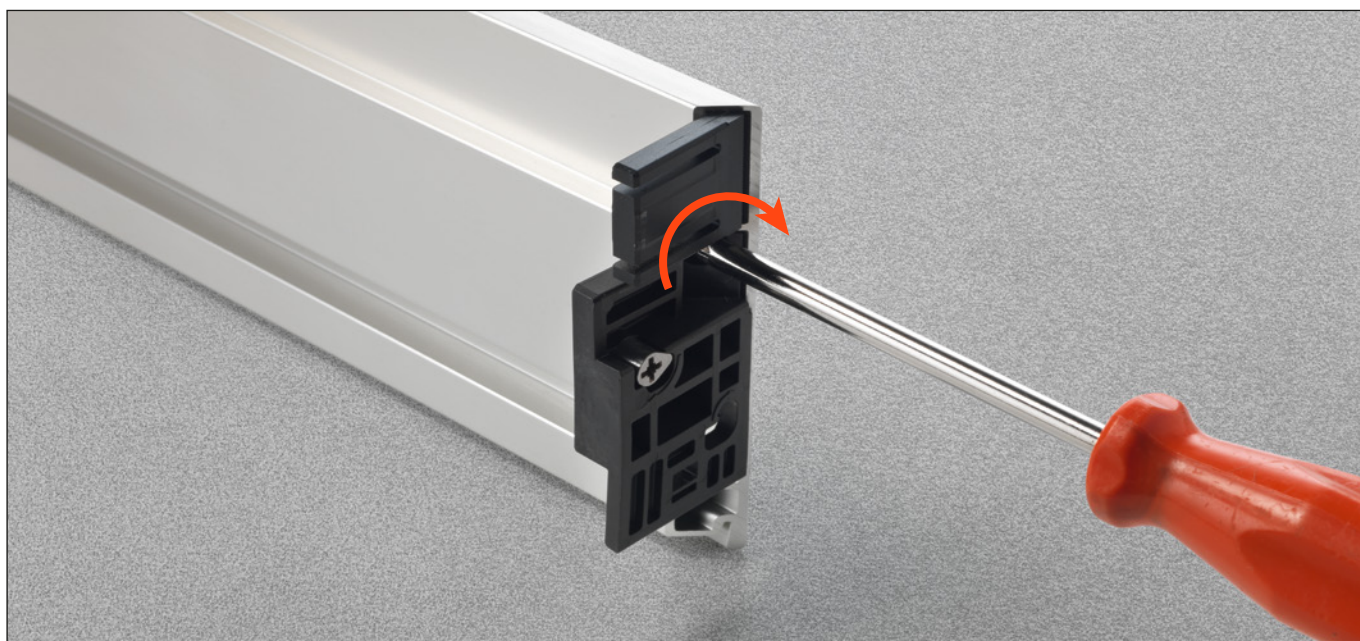
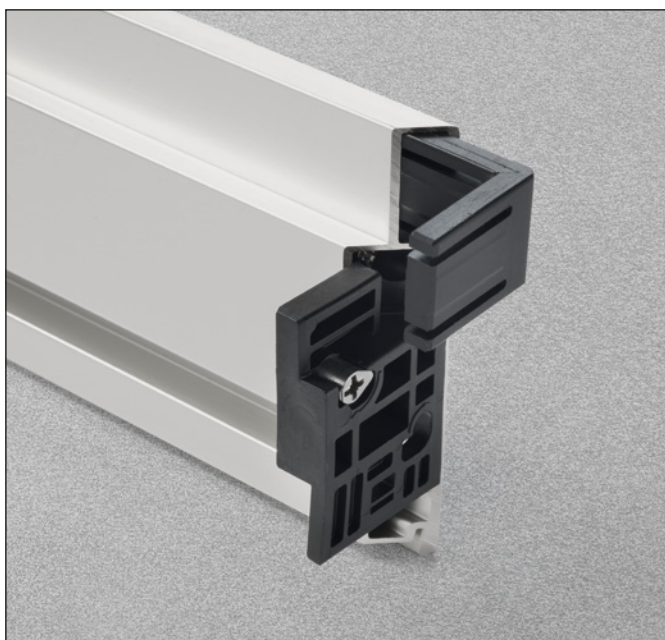
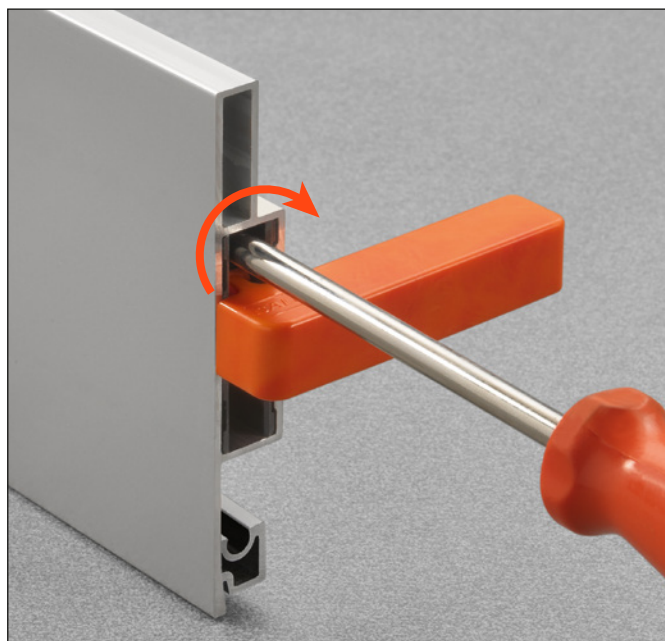
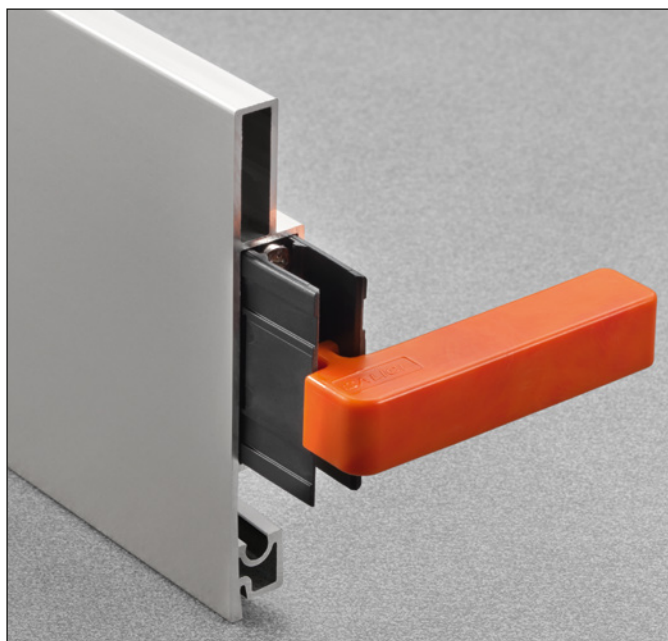




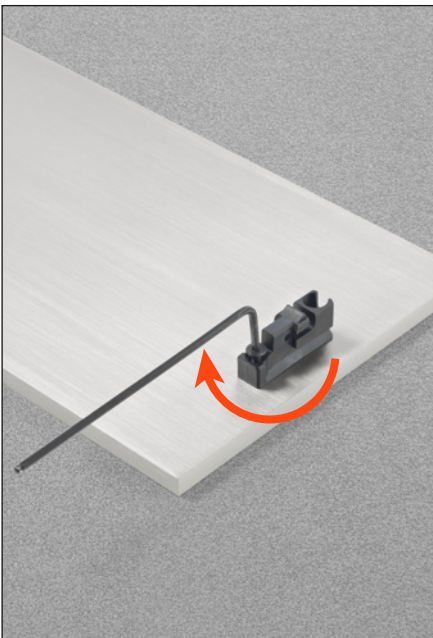




## Lineabox - 4-sided - Assembly features



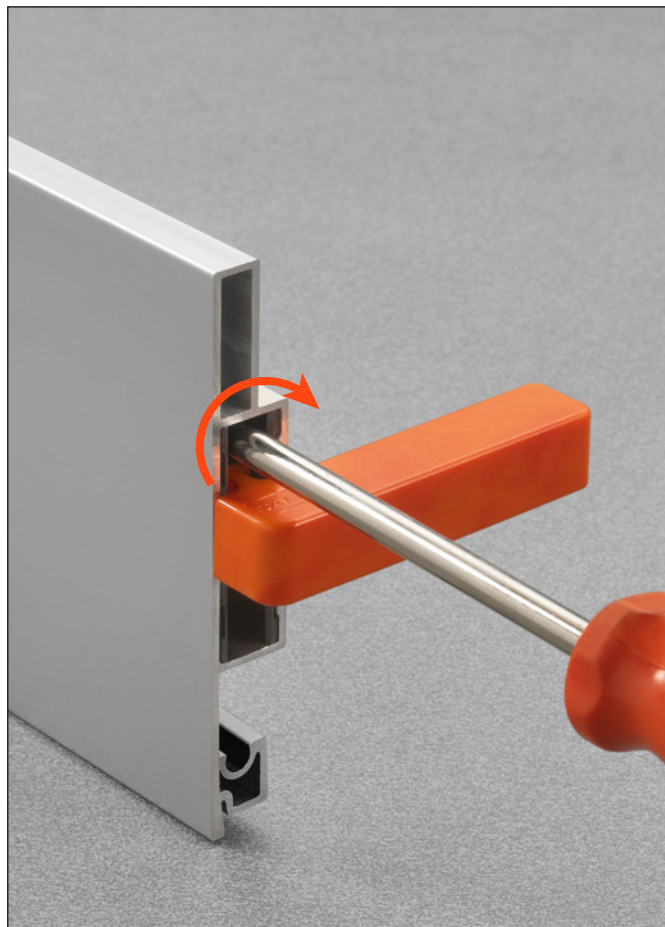




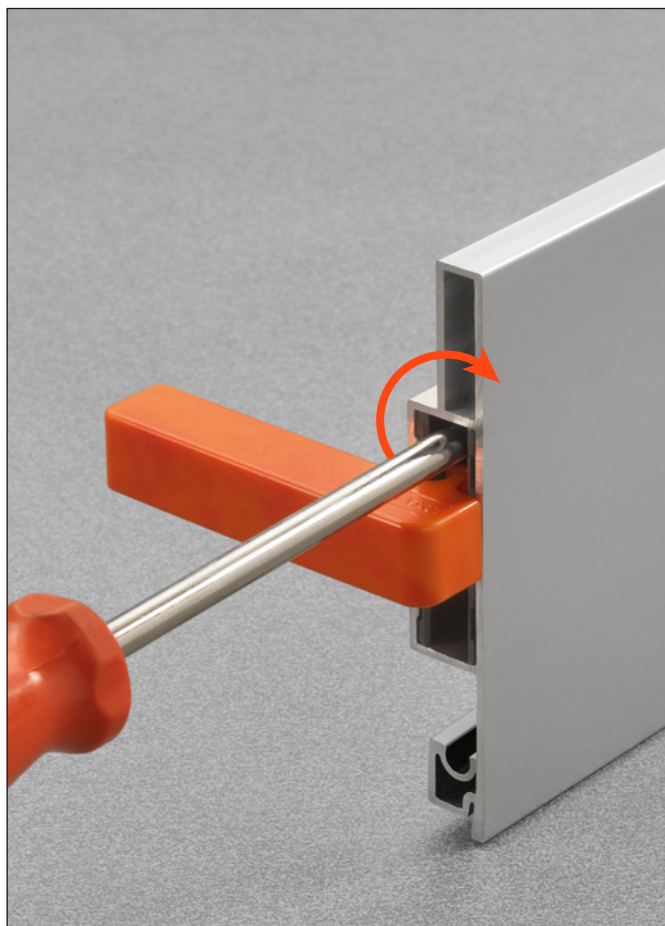


# Lineabox - Sink waste cut-out drawer - 2-sided - Assembly features

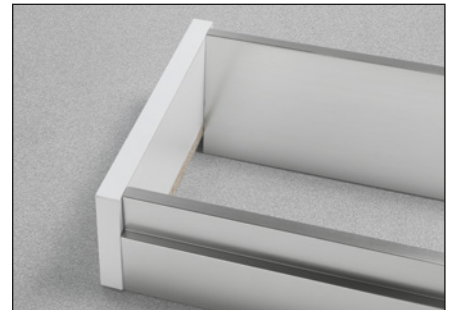
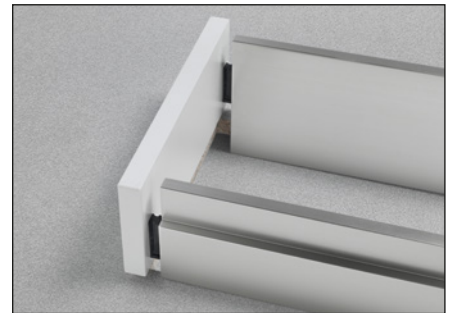
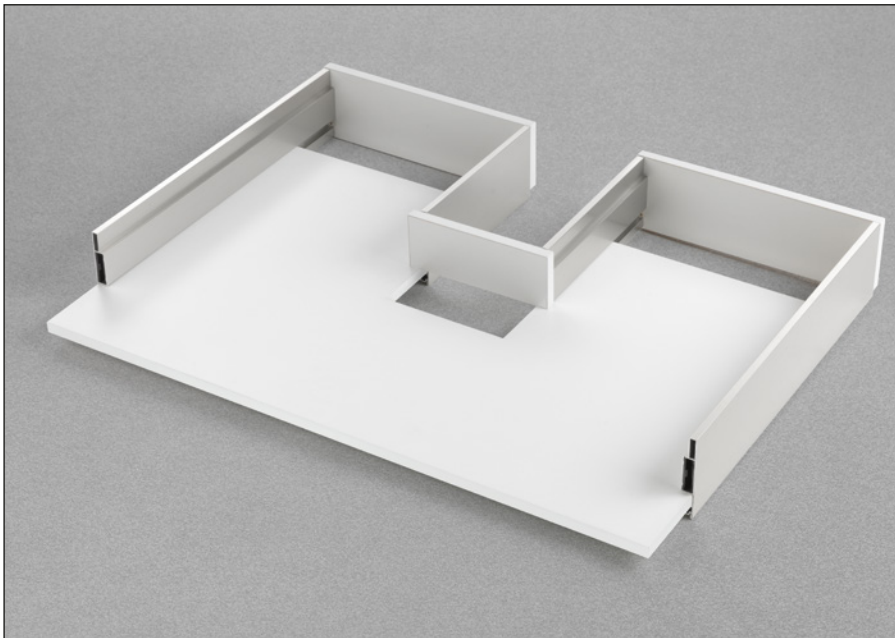
## Front



## Back



**Back**

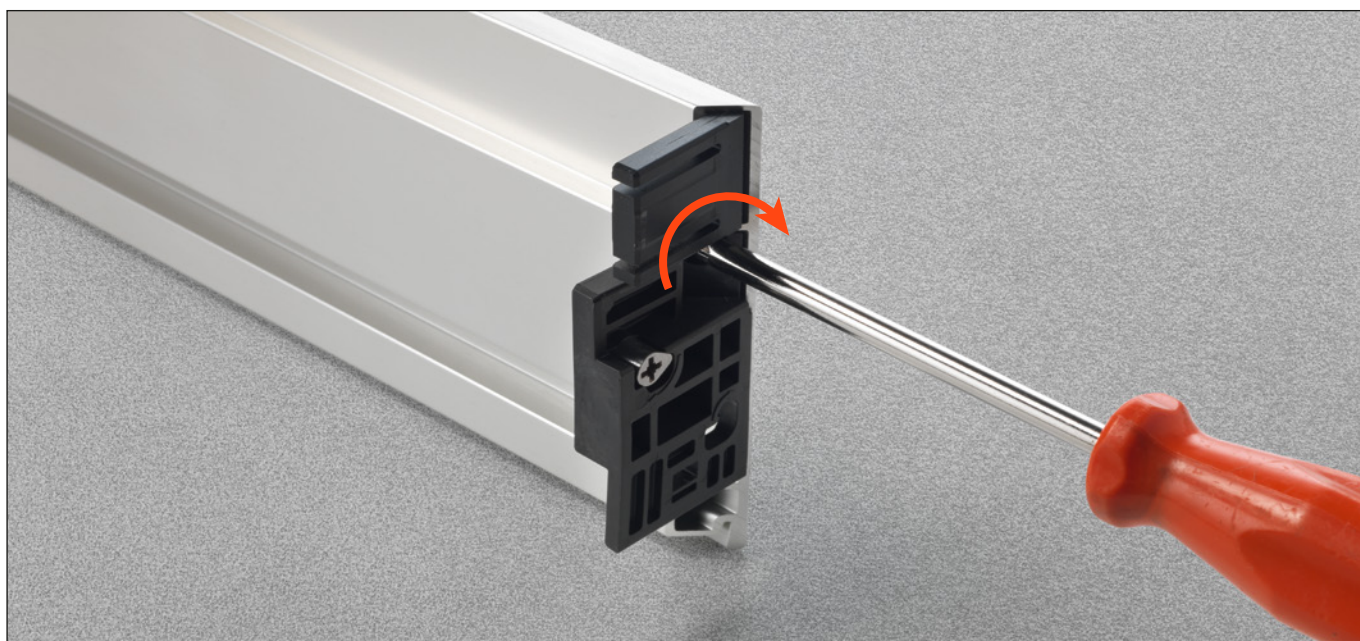
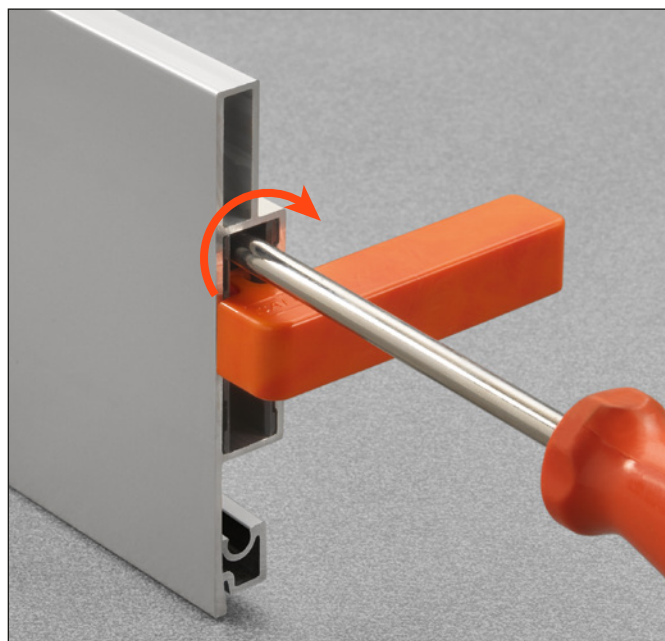
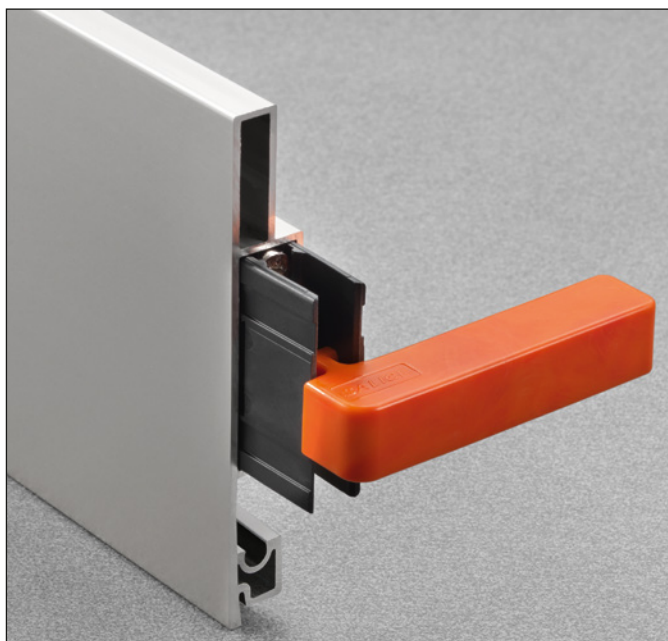


**Front**

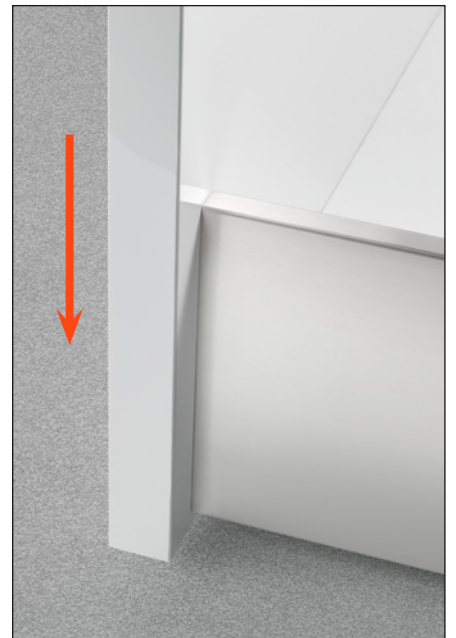
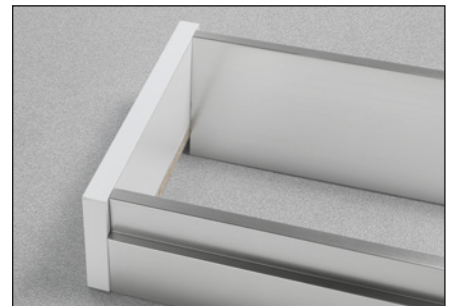
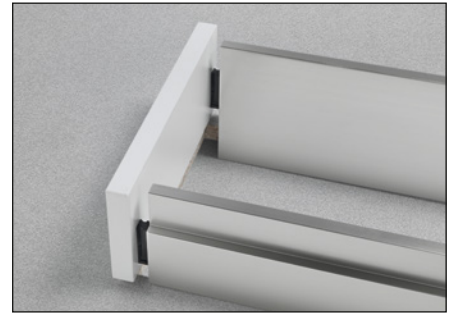
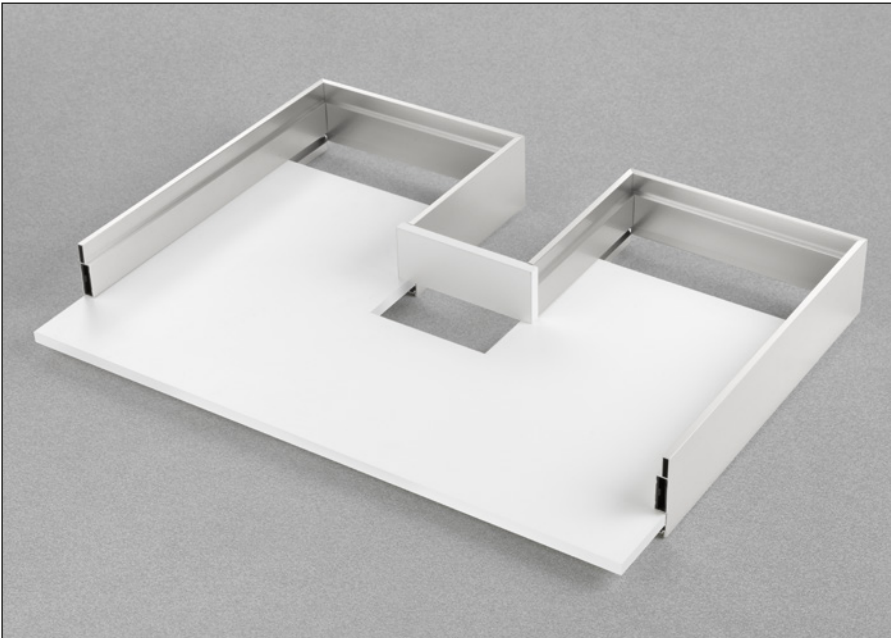




## Lineabox - Sink waste cut-out drawer - 3-sided - Assembly features

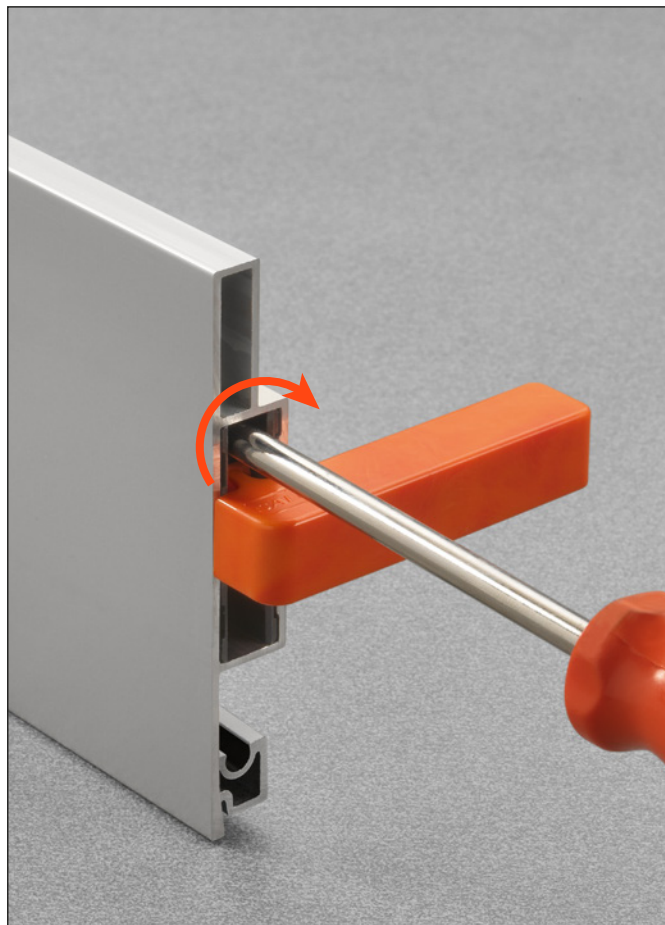




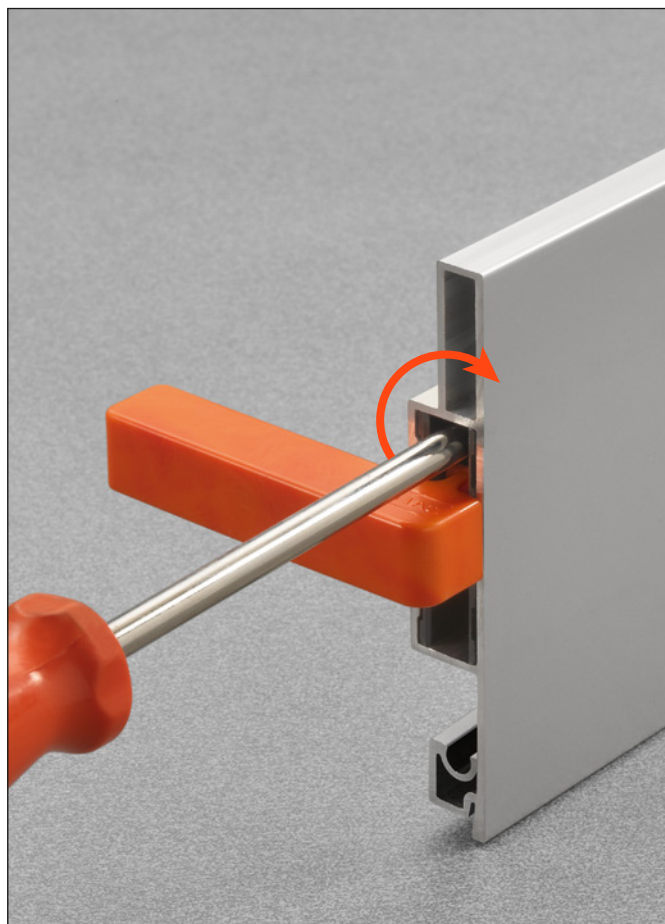


# Lineabox - Under-sink drawer - 2-sided - Assembly features

## Front

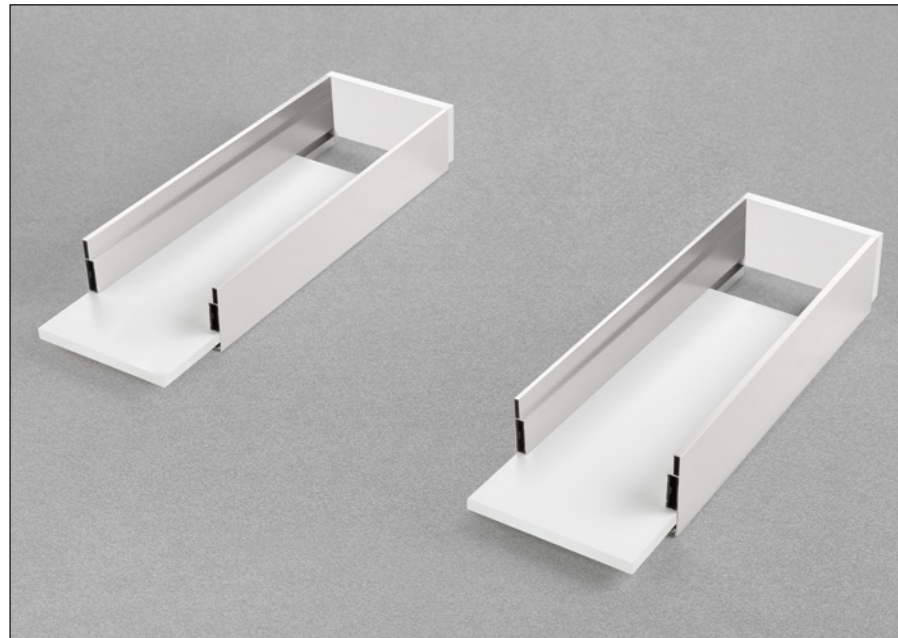


## Back

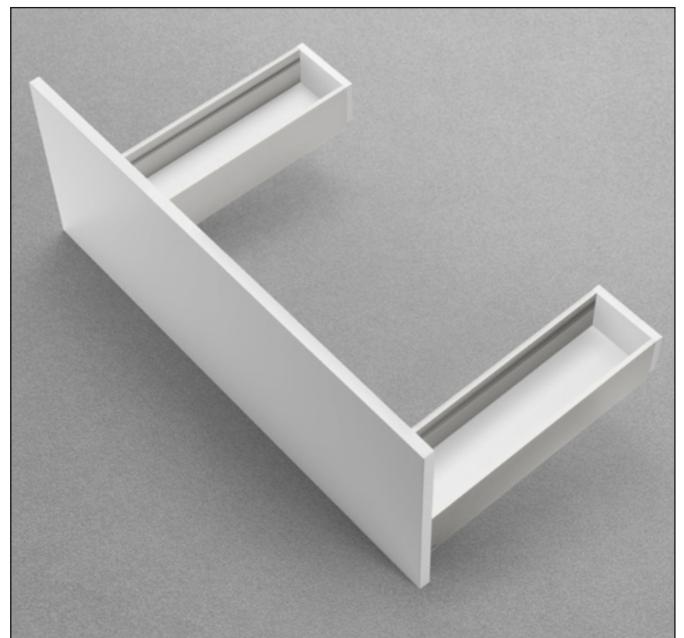




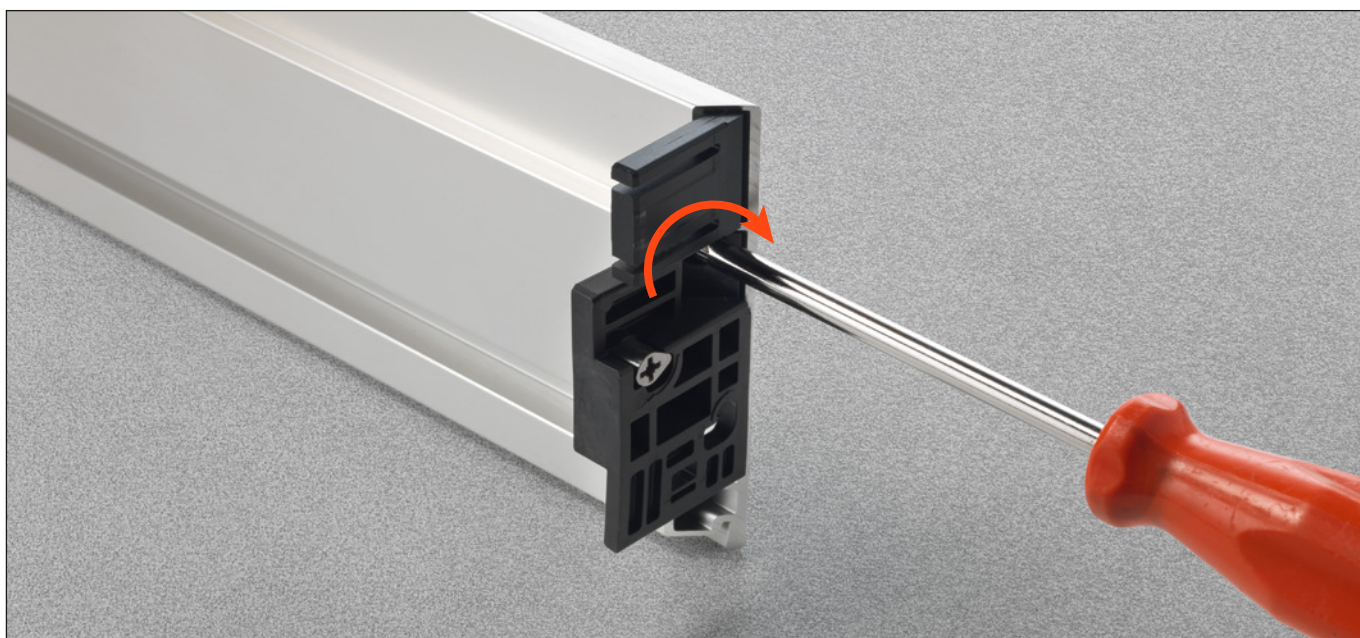
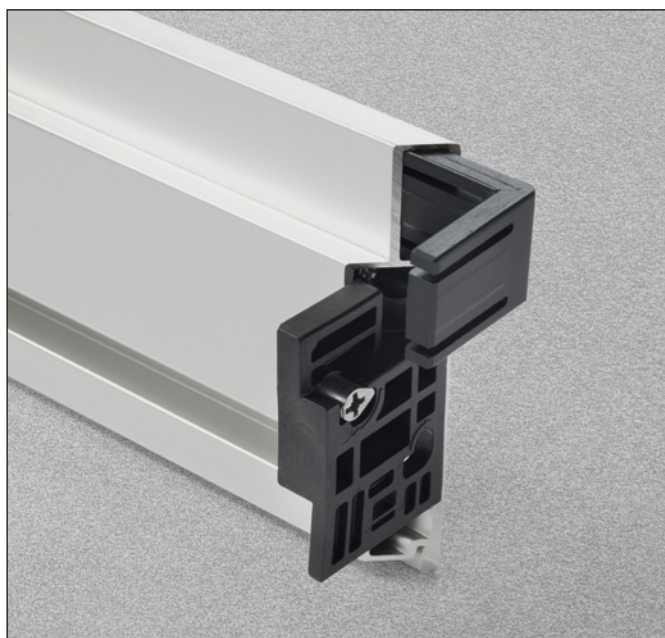
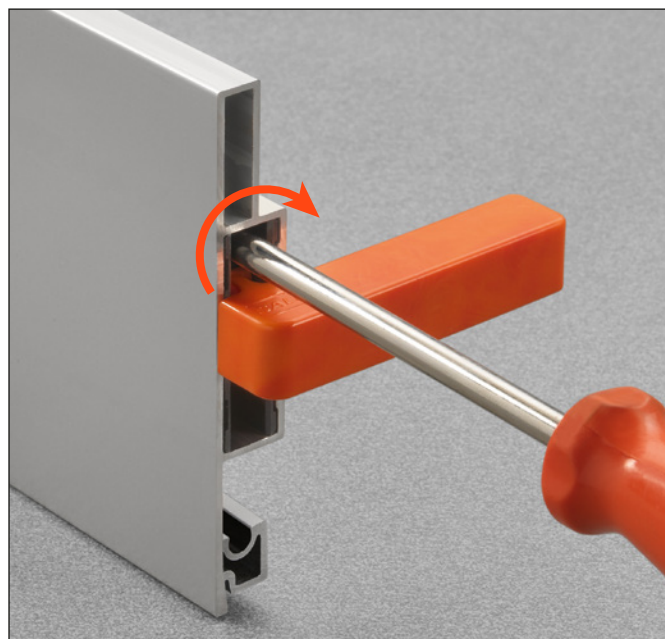
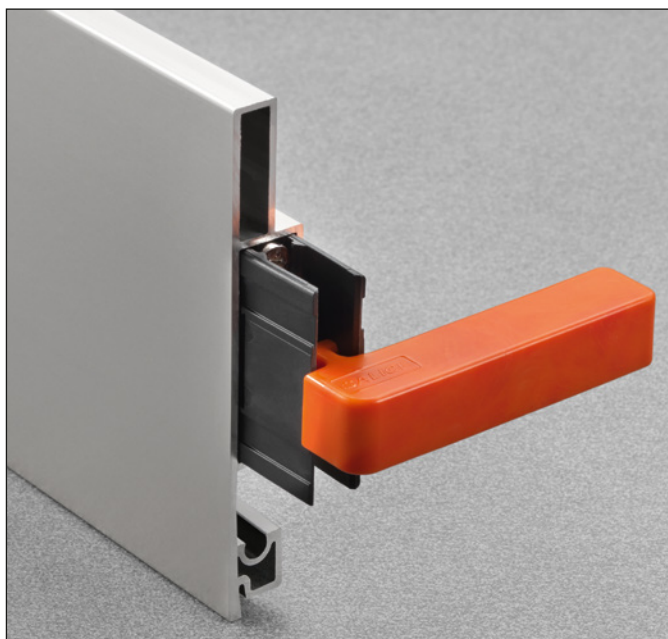
**Back**



**Front**



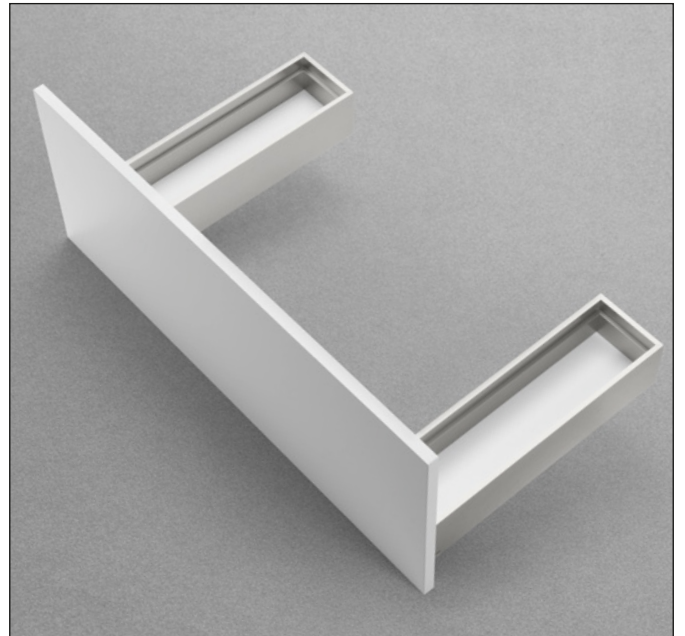
## Lineabox - Under-sink drawer - 3-sided - Assembly features







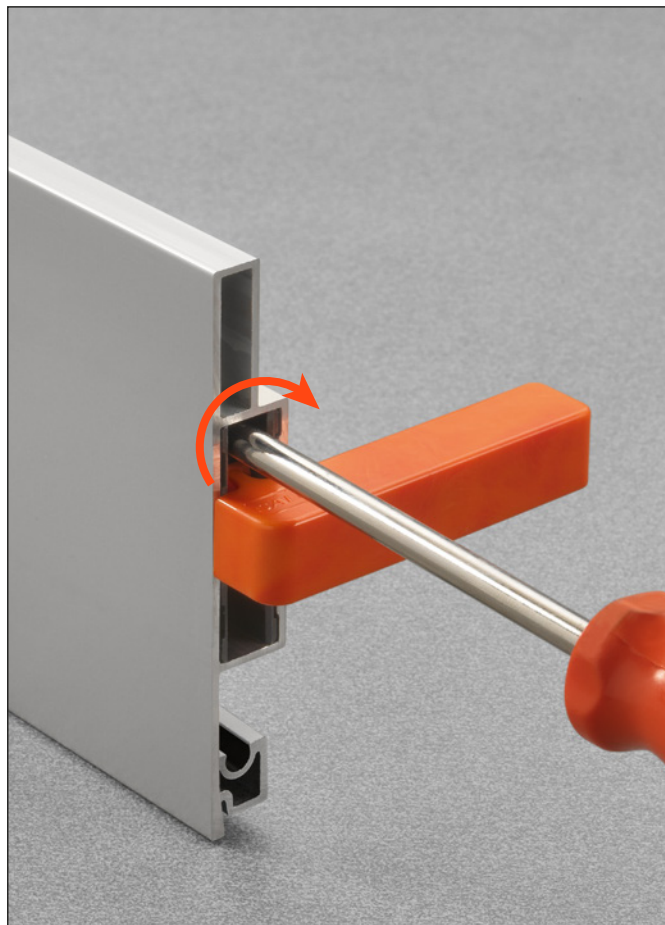
Front



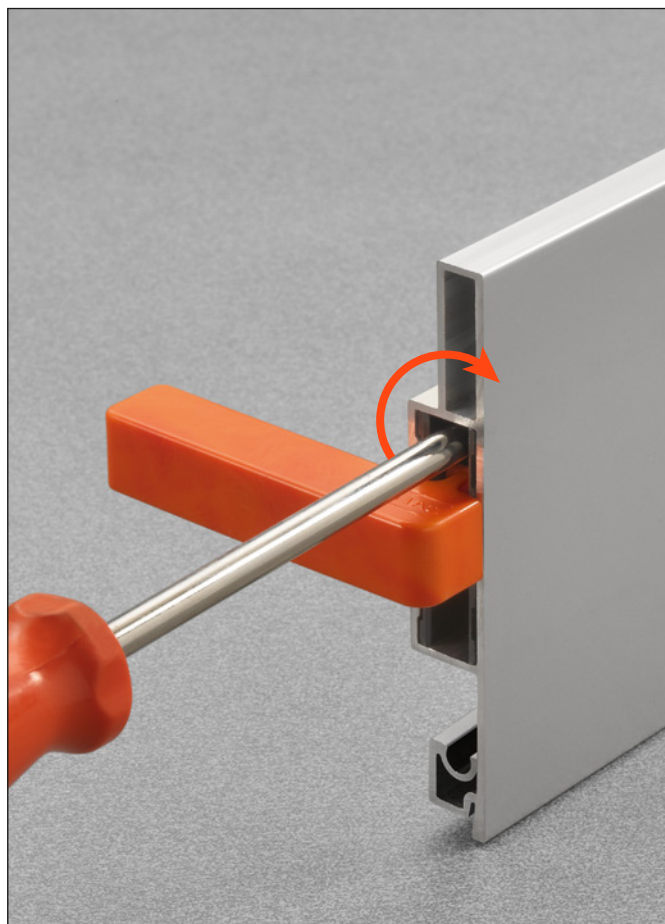
# Lineabox - Pull-out column unit and pull-out high storage units

## Assembly features

### Front

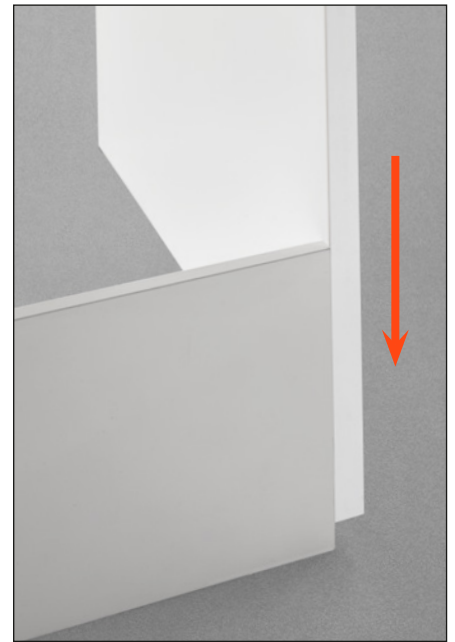


### Back

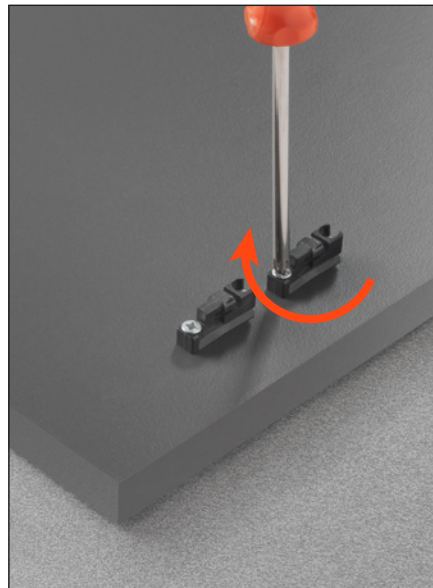




**Back**



**Front**



**SCCX83H9**  
Cover cap with embossed logo.



**SCXX83H9**  
Cover cap with silk-screen printed logo.



**SMGP15X4XA**  
Insert for 15 mm bottom thickness  $\varnothing$  5 mm.

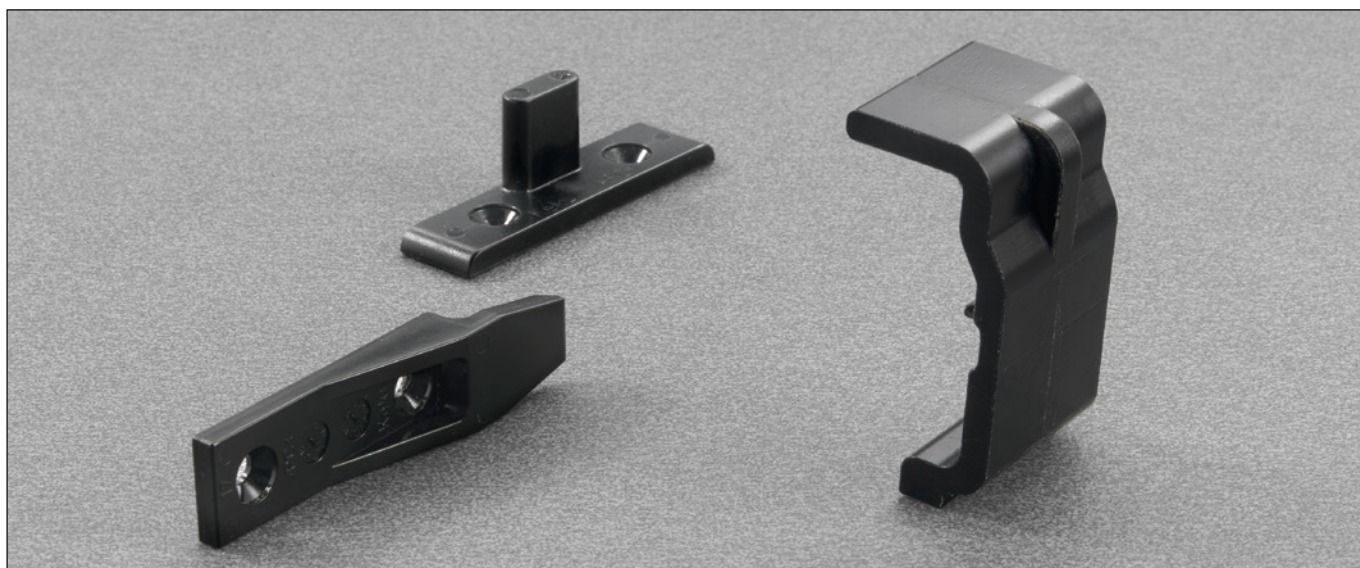


**SMGP21X4XA**  
Stabilizer pin 2-sided drawers,  $\varnothing$  6 mm. Frontal drilling  $\varnothing$  5 mm.

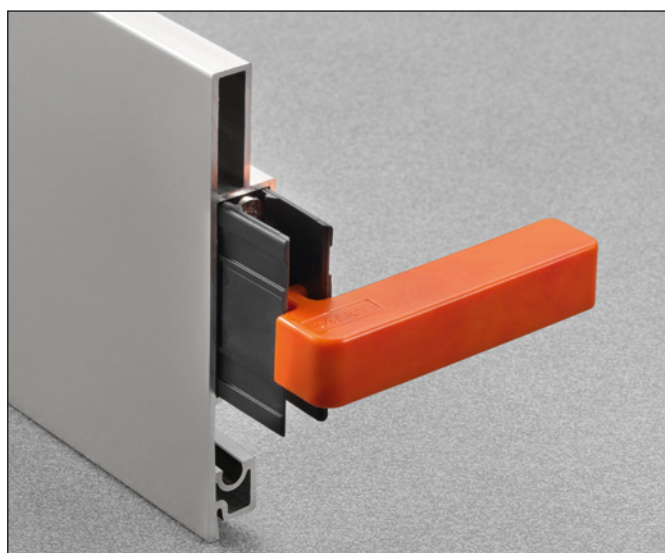




**AMSRX33**  
Reinforcing supports for the bottom of the drawer.



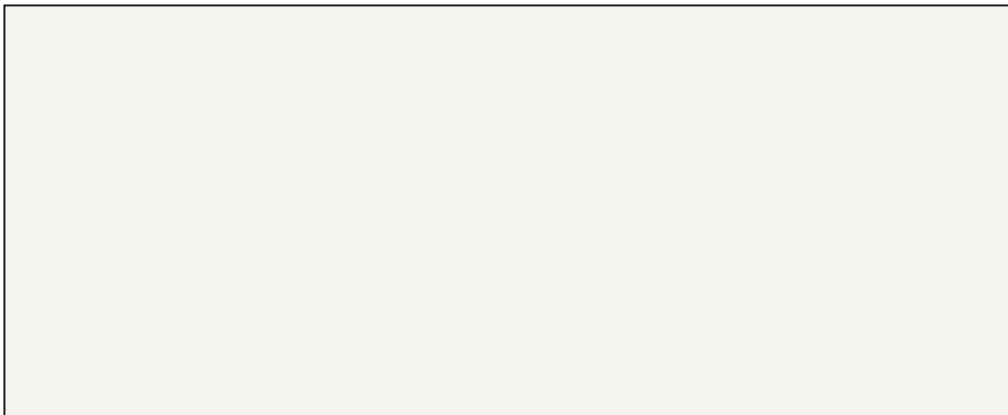
**AMDGXAO**  
Template for frontal connecting fitting.



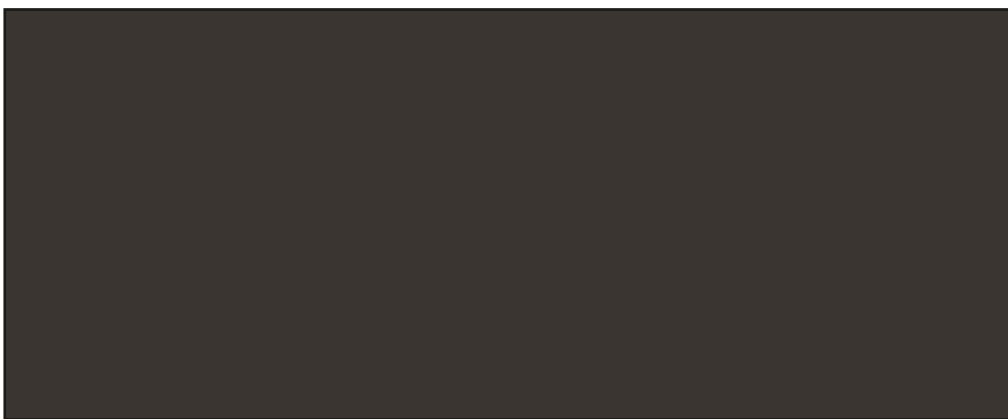


# Finishes

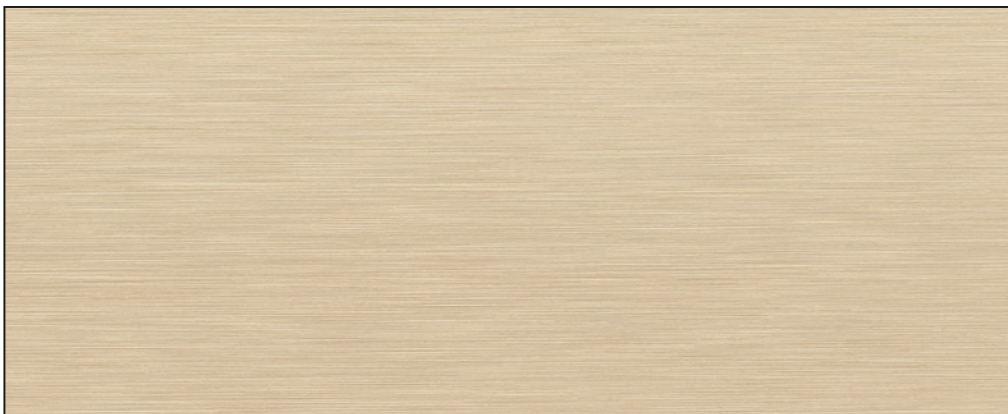
## White



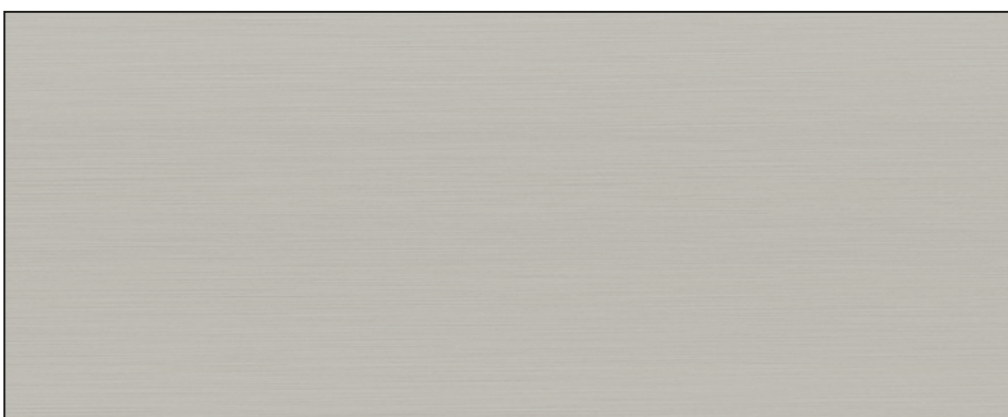
## Titanium



## Champagne



## Stainless steel





**ARTURO SALICE S.p.A.**

VIA PROVINCIALE NOVEDRATESE, 10  
22060 NOVEDRATE (COMO) ITALIA  
TEL. 031 790424  
FAX 031 791508  
info.salice@salice.com  
www.salice.com

**SALICE GUIDE S.p.A.**

VIA ARISTIDE MERLONI, 11  
61036 COLLI AL METAURO (PU) ITALIA  
TEL. 0721 899800  
FAX 0721 897980  
info.saliceguide@salice.com  
www.salice.com

**DEUTSCHE SALICE GMBH**

RUDOLF DIESEL STR. 10  
POSTFACH 1154  
74382 NECKARWESTHEIM  
TEL. 07133 9807-0  
FAX. 07133 9807-16  
info.salice@deutschesalice.de  
www.deutschesalice.de

**SALICE UK LTD.**

KINGFISHER WAY  
HINCHINGBROOKE BUSINESS PARK  
HUNTINGDON CAMBS PE 29 6FN  
TEL. 01480 413831  
FAX. 01480 451489  
info.salice@saliceuk.co.uk  
www.saliceuk.co.uk

**DEUTSCHE SALICE GMBH**

VERKAUFSBÜRO NORD  
RINGSTRASSE 36/A30 CENTER  
32584 LÖHNE  
TEL. 05731 15608-0  
FAX. 05731 15608-10  
vknord@deutschesalice.de  
www.deutschesalice.de

**SALICE AMERICA INC.**

2123 CROWN CENTRE DRIVE  
CHARLOTTE NC. 28227  
TEL. 704 8417810  
FAX. 704 8417808  
info.salice@saliceamerica.com  
www.saliceamerica.com

**SALICE FRANCE S.A.R.L.**

ROUTE DE GOA ZAC LES 3 MOULINS  
06600 ANTIBES  
TEL. 0493 330069  
FAX. 0493 330141  
info.salice@salicefrance.com  
www.salicefrance.com

**SALICE CANADA INC.**

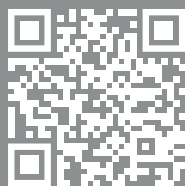
4025 SLADEVIEW CRESCENT  
UNIT # 7-9  
MISSISSAUGA, ONTARIO L5L 5Y1  
TEL. 905 8208787  
FAX. 905 8207226  
info.salice@salicecanada.com  
www.salicecanada.com

**SALICE ESPAÑA, S.L.U.**

CALLE COPÉRNICO, 11  
POLÍGONO INDUSTRIAL  
COLL DE LA MANYA  
08403 GRANOLLERS (BARCELONA)  
TEL. 938 45 88 61  
FAX 938 49 11 97  
info.salice@saliceespana.es  
www.saliceespana.es

**SALICE CHINA  
(SHANGHAI) CO. LTD.**

1st FLOOR, B1 BLDG 928 MINGZHU ROAD  
XUJING, QINGPU DISTRICT  
SHANGHAI 201702 - CHINA  
Tel. 021 3988 9880  
Fax 021 3988 9882  
info.salice@salicechina.com  
www.salicechina.com

**Digital contents:**

- **Technical pamphlet in Pdf format**
- **Presentation in Pdf format**
- **Video**
- **Configurator**

**We reserve the right to change technical specifications without notice.**