

**Futura Push
synchroniser**

SALICE

Futura Push synchroniser

The synchronisation system for Push-open Futura runners has been developed to ensure that drawers of any width can be opened with minimum effort.

The system links the two runners, which thus become a single element; a pressure at any point of the drawer frontal (even at the extremities), is sufficient for the Push devices to release and consequently for the drawer to self-open.

The synchroniser can be used with any drawer width; its functionality is at its best with wider drawers. It can be used on drawers of any width; however it is recommended for drawers over 80 cm in width.

Product features:

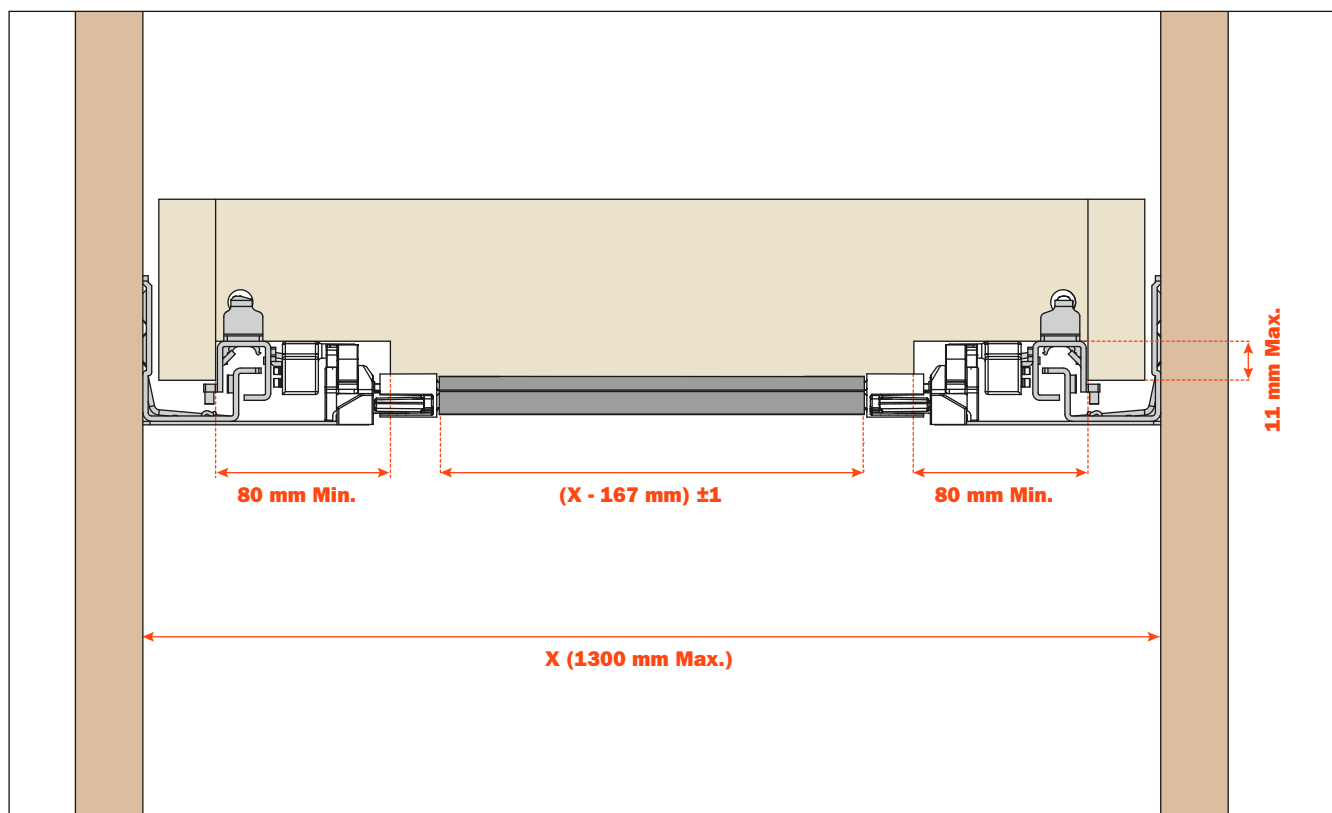
- perfectly silent sliding movement
- the load capacity of the runner remains unchanged
- available on all runner lengths
- min. width of the cabinet (X) = 280 mm
- max. width of the cabinet (X) = 1300 mm
- bar length = 1150 mm (to cut to length)



Technical information - Formula for cutting the bar to length

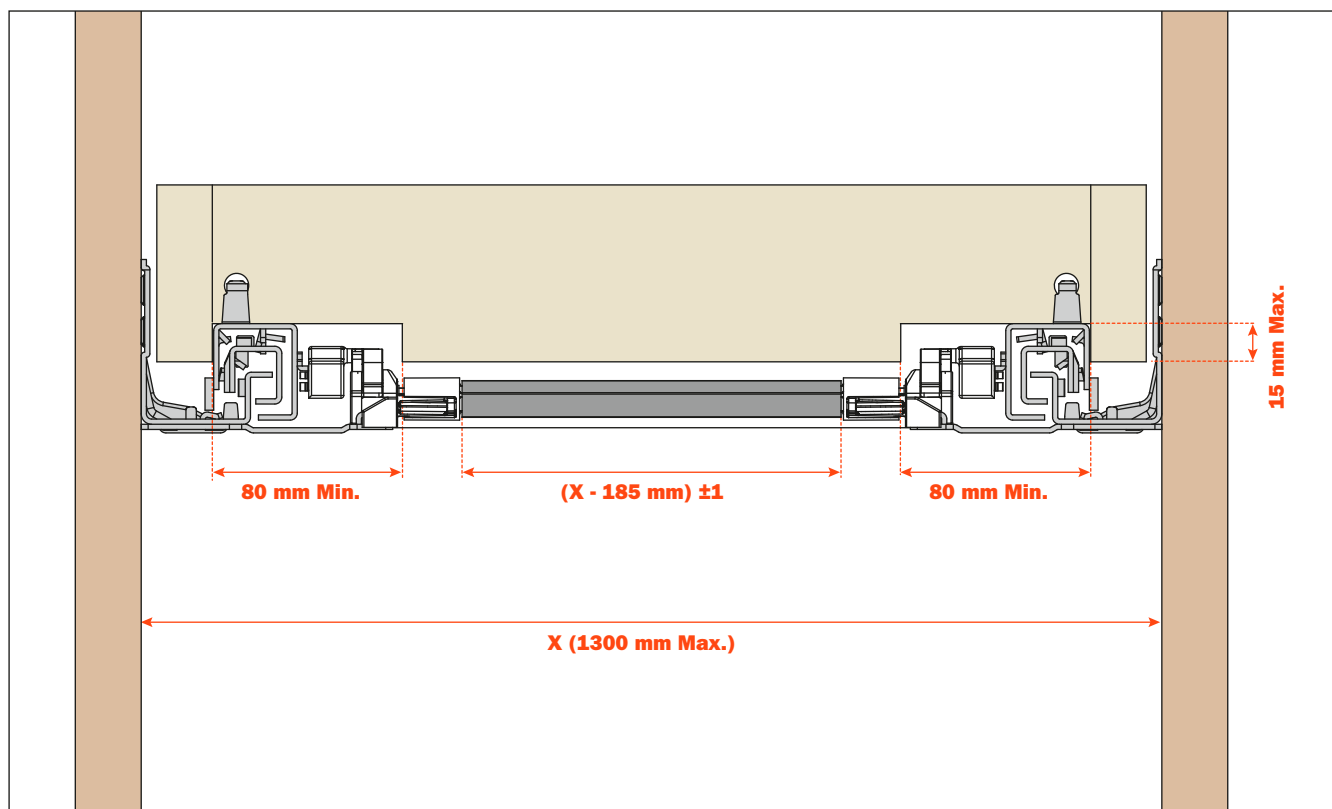
Part-extension

The assembly of the synchroniser requires a minimum 80 mm wide notch in the rear panel.

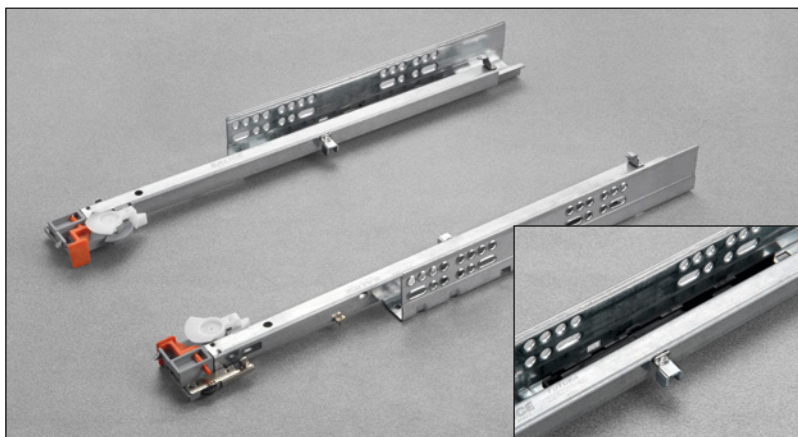


Full-extension

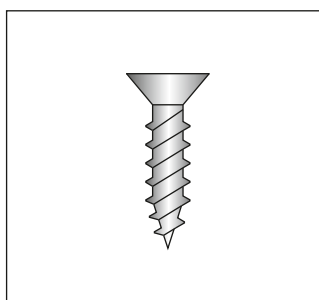
The assembly of the synchroniser requires a minimum 80 mm wide notch in the rear panel.



Futura Push 61277 - Part-extension



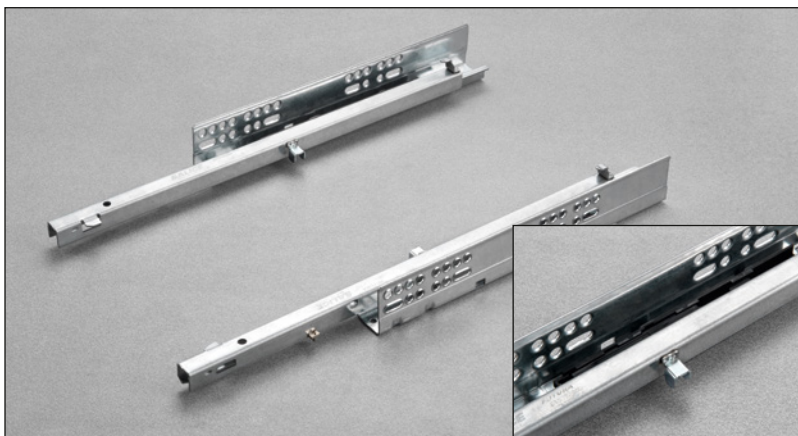
Part number



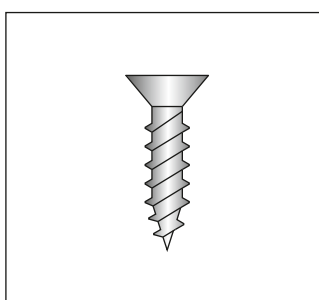
To be screw fixed
Screw TSP \varnothing 3.5 mm

BASIC PART NUMBER	RUNNER LENGTH (LN)	=	MIN. DEPTH OF THE CABINET (PM)
1061277250200	250		250
1061277270200	270		270
1061277300200	300		300
1061277350200	350		350
1061277400200	400		400
1061277450200	450		450
1061277470200	470		470
1061277500200	500		500
1061277550200	550		550
1061277600200	600		600

Futura Push 61577 - Part-extension



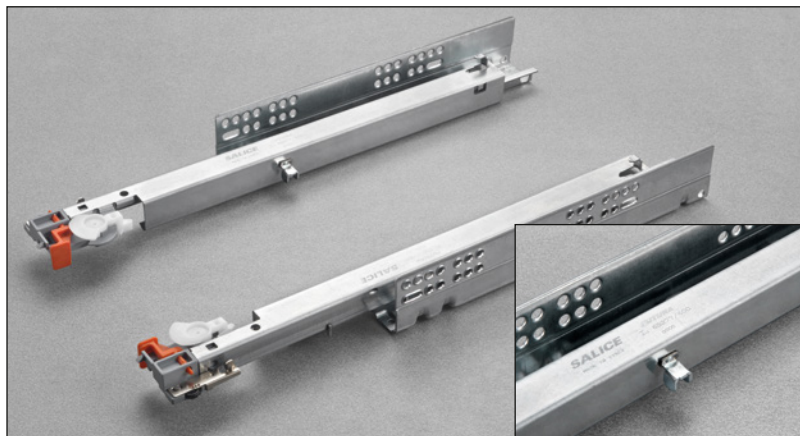
Part number



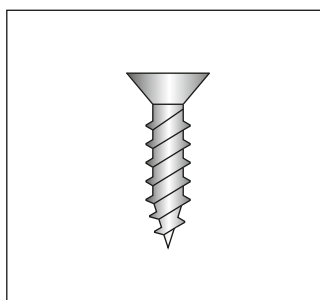
To be screw fixed
Screw TSP \varnothing 3.5 mm

BASIC PART NUMBER	RUNNER LENGTH (LN)	=	MIN. DEPTH OF THE CABINET (PM)
1061577250200	250		250
1061577270200	270		270
1061577300200	300		300
1061577350200	350		350
1061577400200	400		400
1061577450200	450		450
1061577470200	470		470
1061577500200	500		500
1061577550200	550		550
1061577600200	600		600

Futura Push 65277 - Full-extension



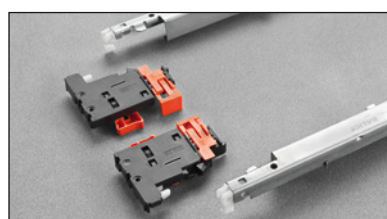
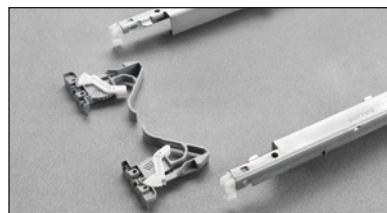
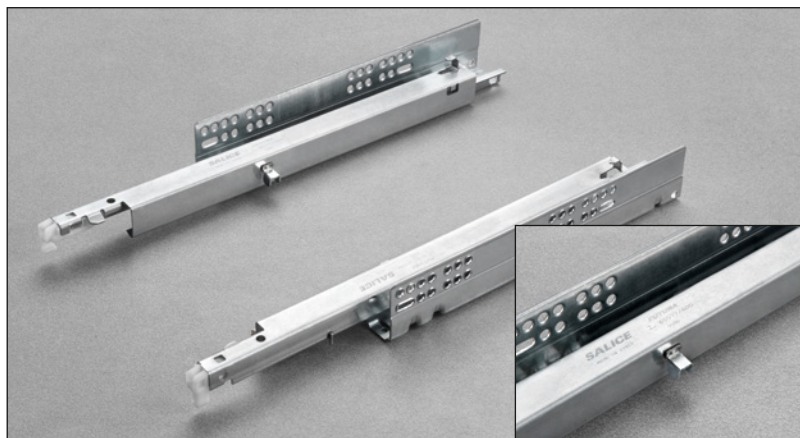
Part number



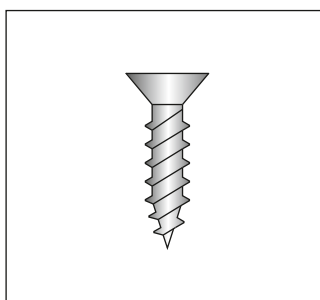
To be screw fixed
Screw TSP \varnothing 3.5 mm

BASIC PART NUMBER	RUNNER LENGTH (LN)	MIN. DEPTH OF THE CABINET (PM)
1065277250200	250	260
1065277270200	270	280
1065277300200	300	310
1065277350200	350	360
1065277400200	400	410
1065277450200	450	460
1065277470200	470	480
1065277500200	500	510
1065277550200	550	555
1065277600200	600	605

Futura Push 65577 - Full-extension



Part number

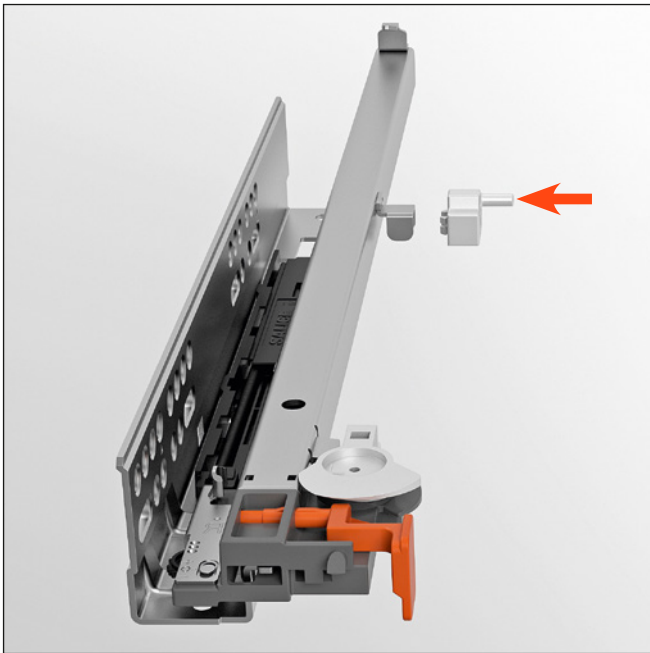


To be screw fixed
Screw TSP \varnothing 3.5 mm

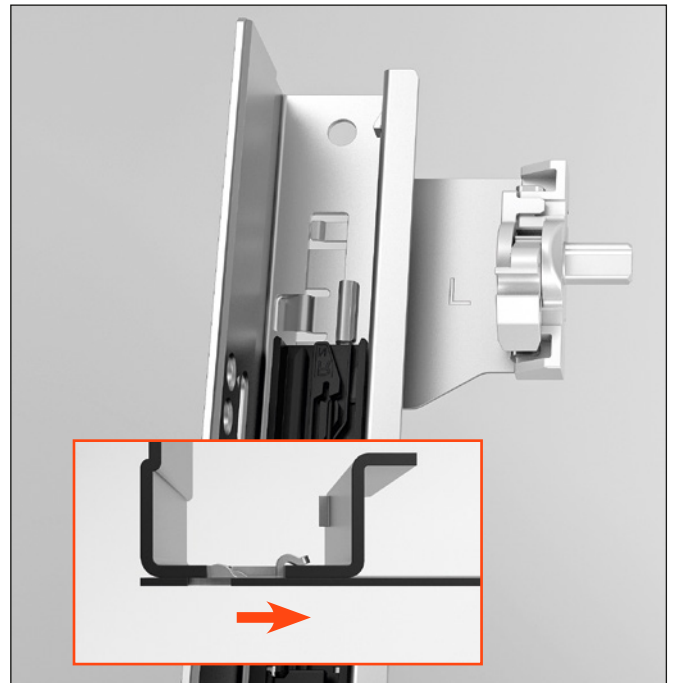
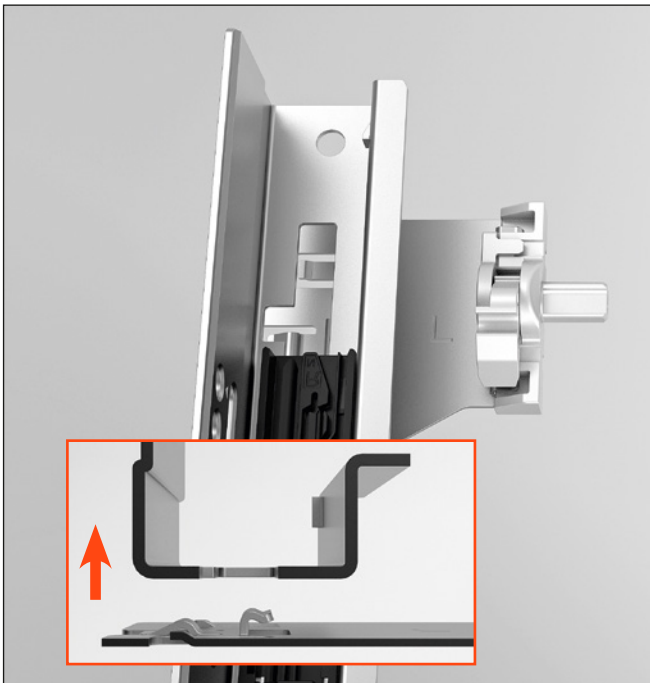
BASIC PART NUMBER	RUNNER LENGTH (LN)	MIN. DEPTH OF THE CABINET (PM)
1065577250200	250	260
1065577270200	270	280
1065577300200	300	310
1065577350200	350	360
1065577400200	400	410
1065577450200	450	460
1065577470200	470	480
1065577500200	500	510
1065577550200	550	555
1065577600200	600	605

Futura Push synchroniser - Part-extension - Assembly instructions

Fitting the driver pins to the runners



Slide the carrier plates into position on the runners in the direction indicated by the arrows



Screw-fix the runners to the cabinet side

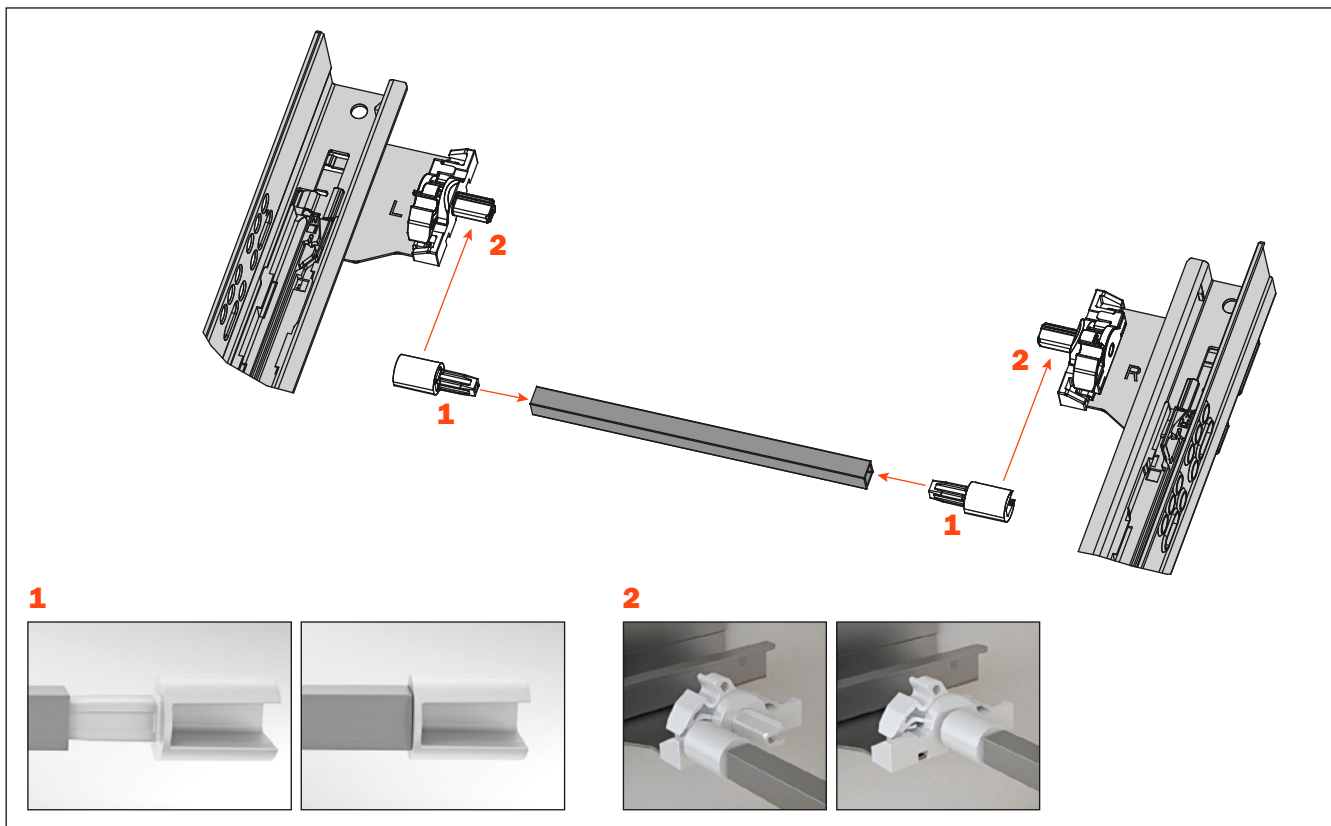


Cut the stabiliser bar to length

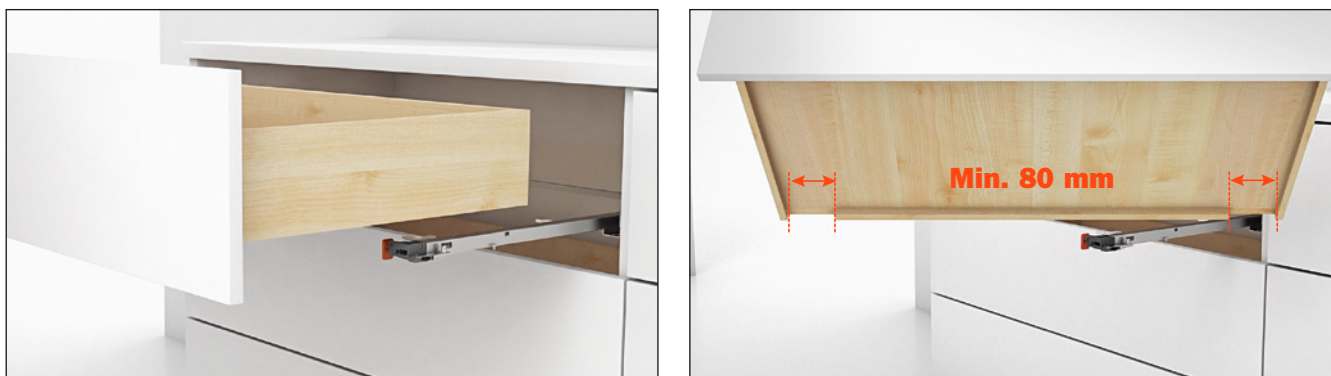


Part-extension - Assembly instructions

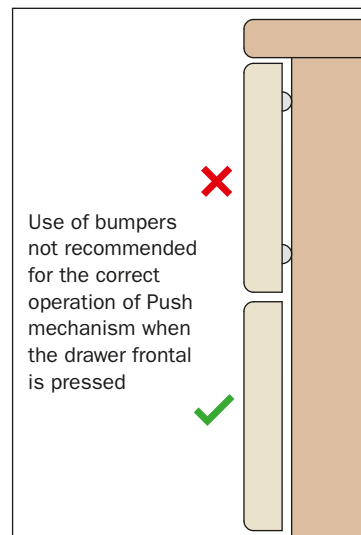
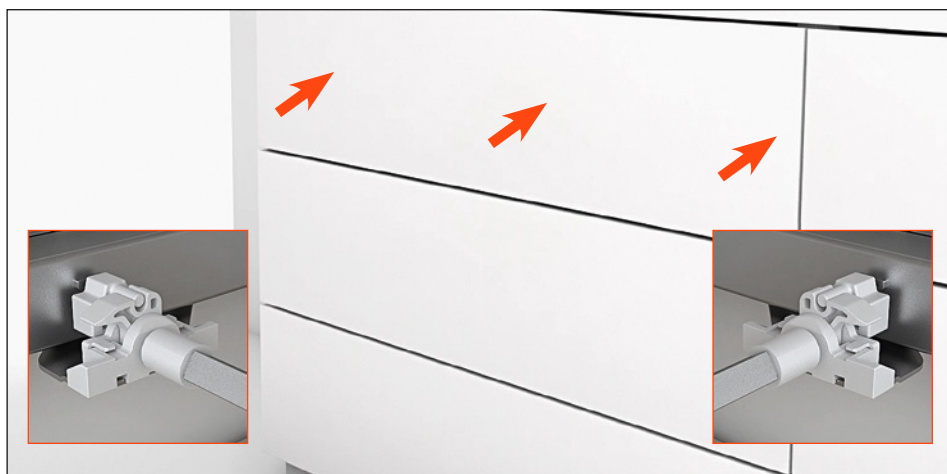
1. Press the end caps onto the bar
2. Fix the bar to the plates



Insert the drawer

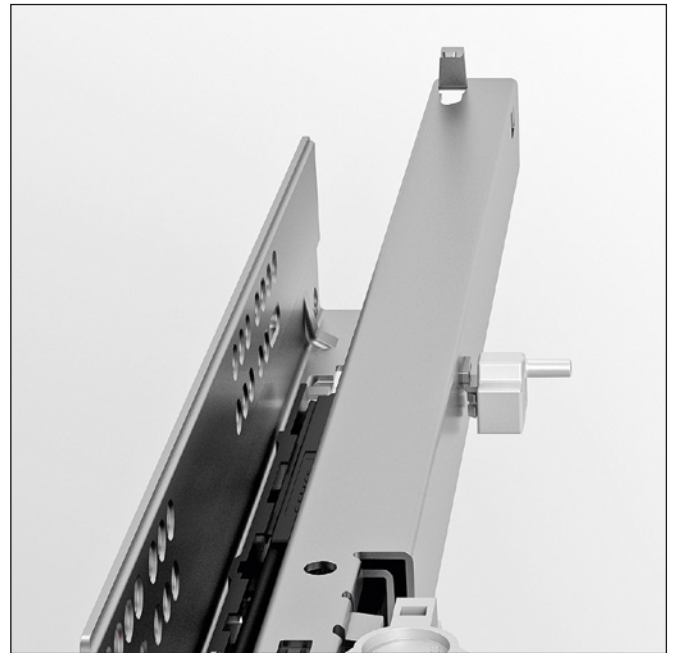
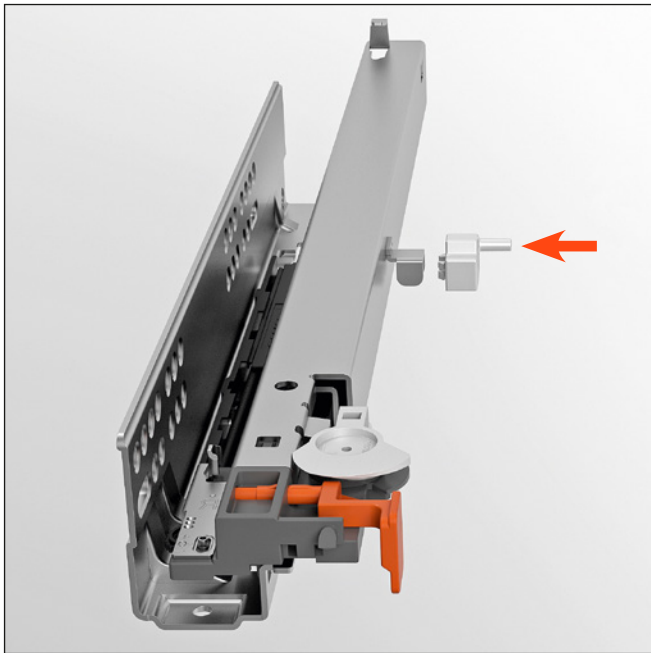


A pressure at any point on the drawer frontal is sufficient for the drawer to self-open

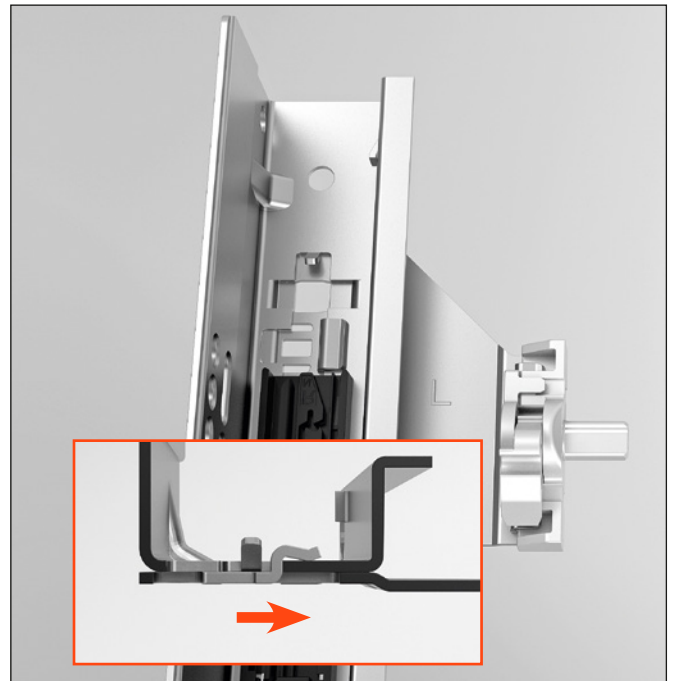
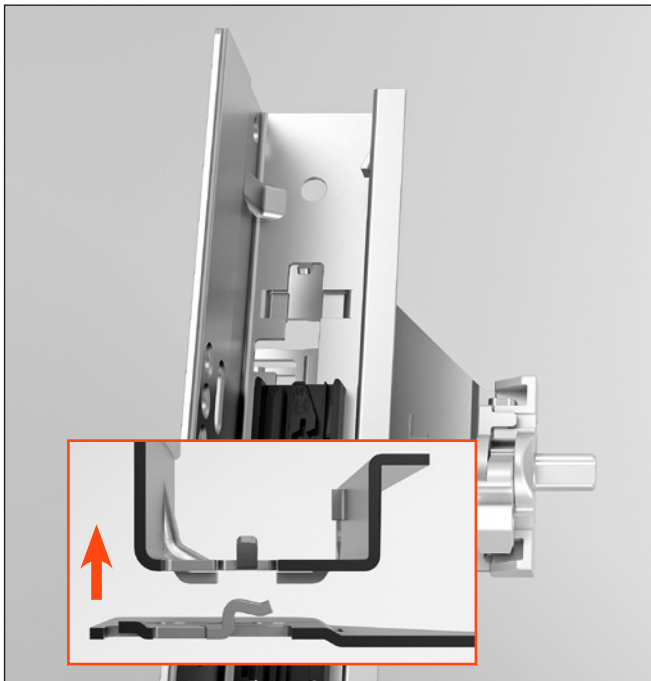


Futura Push synchroniser - Full-extension - Assembly instructions

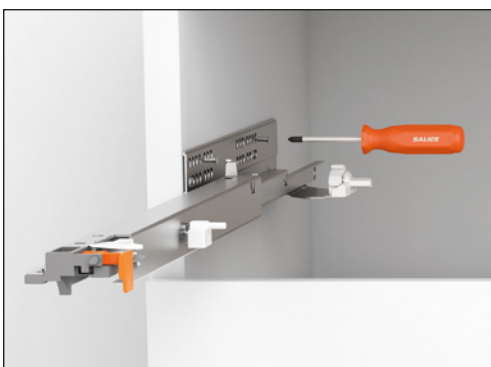
Fitting the driver pins to the runners



Slide the carrier plates into position on the runners in the direction indicated by the arrows



Screw-fix the runners to the cabinet side

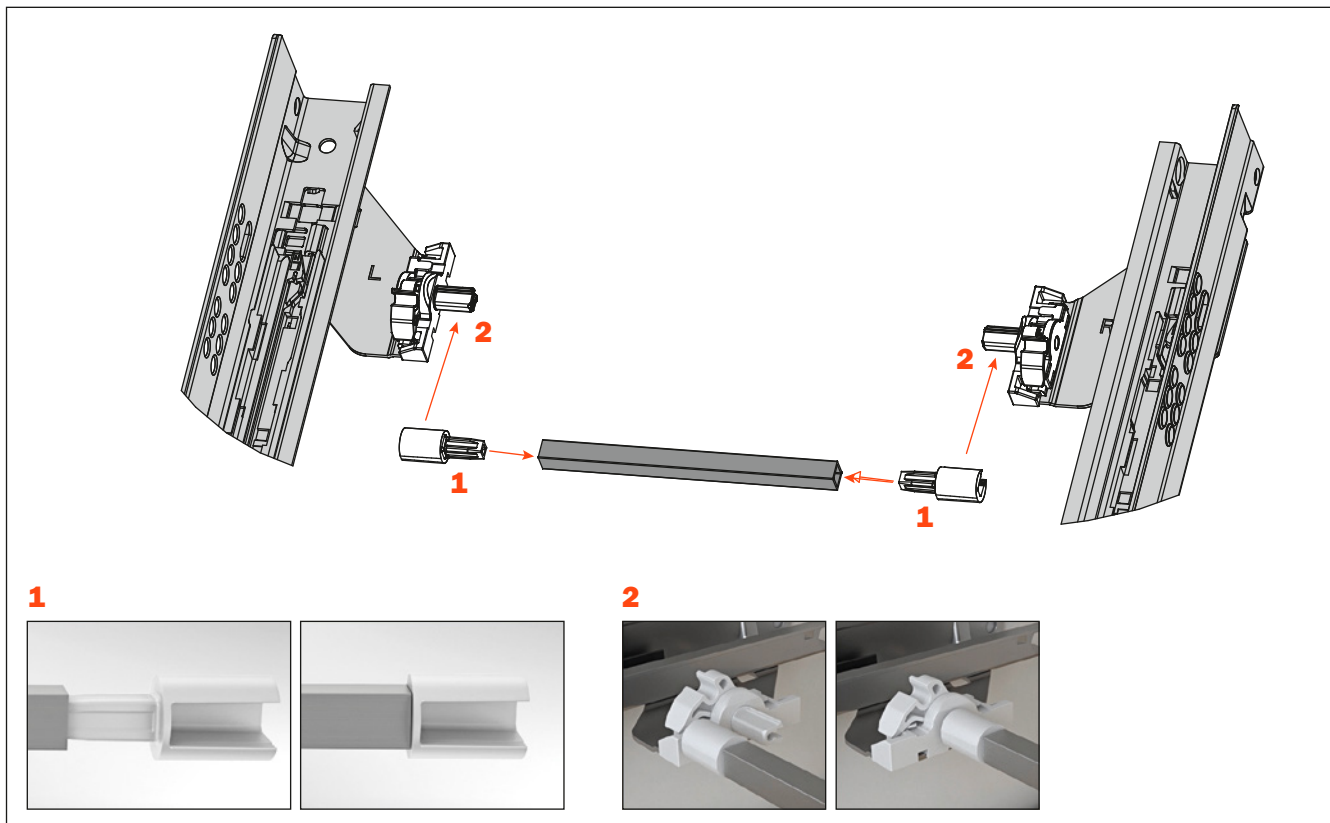


Cut the stabiliser bar to length

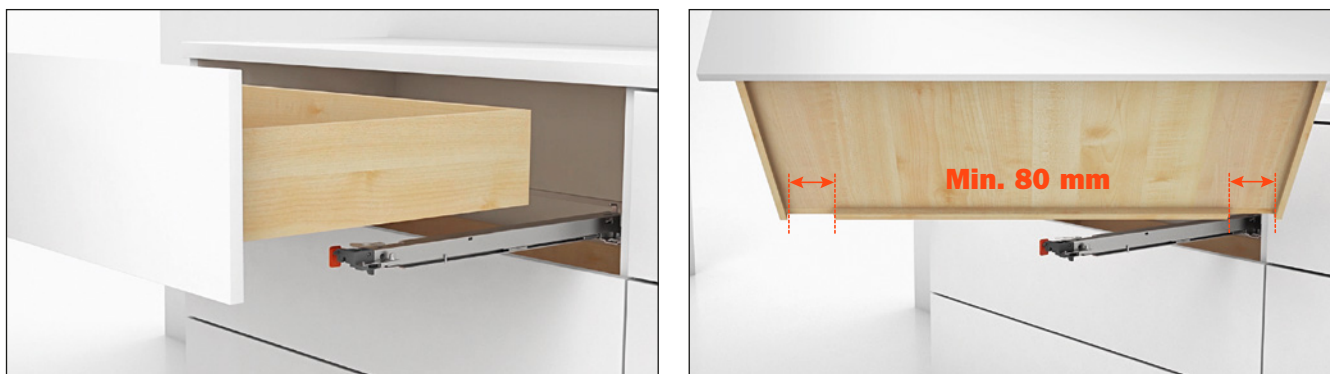


Assembly instructions

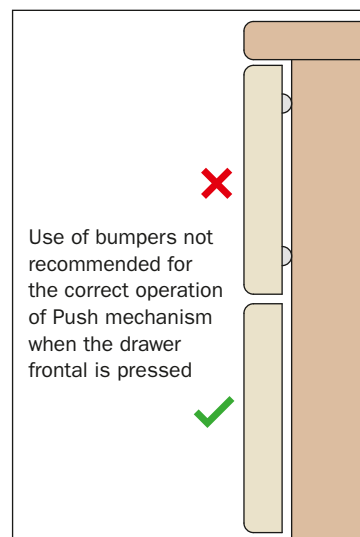
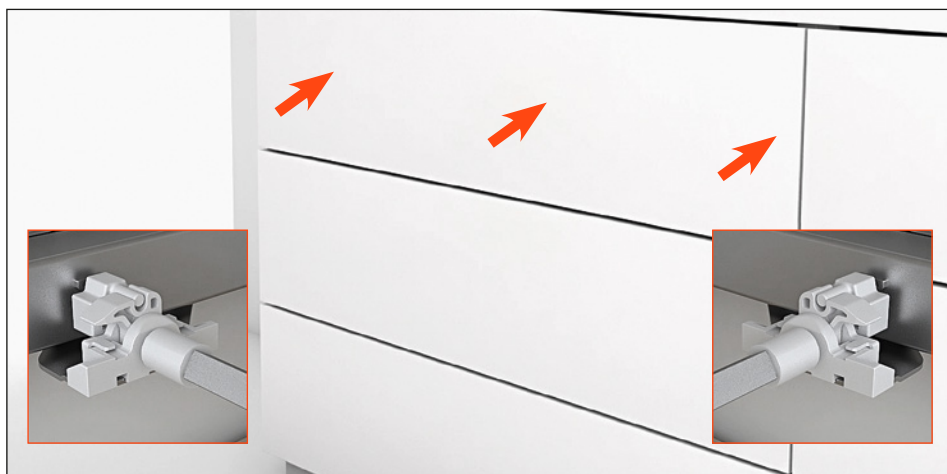
1. Press the end caps onto the bar
2. Fix the bar to the plates



Insert the drawer



A pressure at any point on the drawer frontal is sufficient for the drawer to self-open



Futura Push synchroniser - Packing

SINGLE PACKING

APKFGP51150

Part-extension

PACKING

1 BOX = 20 single kits

1 KIT:

- 1 stabiliser bar
- 2 end caps
- 2 driver pins
- 1 right carrier plate and 1 left carrier plate



APKFGT51150

Full-extension

PACKING

1 BOX = 20 single kits

1 KIT:

- 1 stabiliser bar
- 2 end caps
- 2 driver pins
- 1 right carrier plate and 1 left carrier plate



INDUSTRIAL PACKING

APKIGP51150

Part-extension

PACKING = 100 kits

1 KIT:

- 1 BOX = 100 stabiliser bars
- 200 end caps
- 200 driver pins
- 1 BOX = 100 right carrier plates
- 1 BOX = 100 left carrier plates

APKIGT51150

Full-extension

PACKING = 100 kits

1 KIT:

- 1 BOX = 100 stabiliser bars
- 200 end caps
- 200 driver pins
- 1 BOX = 100 right carrier plates
- 1 BOX = 100 left carrier plates



ARTURO SALICE S.p.A.

VIA PROVINCIALE NOVEDRATESE, 10
22060 NOVEDRATE (COMO) ITALIA
TEL. 031 790424 - FAX 031 791508
info.salice@salice.com - www.salice.com

SALICE GUIDE S.p.A.

VIA ARISTIDE MERLONI, 11
61036 COLLI AL METAURO (PU) ITALIA
TEL. 0721 899800 - FAX 0721 897980
info.saliceguide@salice.com - www.salice.com

DEUTSCHE SALICE GMBH

RUDOLF DIESEL STR. 10
74382 NECKARWESTHEIM
TEL. 07133 9807-0
FAX. 07133 9807-16
info.salice@deutschesalice.de
www.salice.com

DEUTSCHE SALICE GMBH

VERKAUFSBÜRO NORD
RINGSTRASSE 36/A30 CENTER
32584 LÖHNE
TEL. 05731 15608-0
FAX. 05731 15608-10
vknord@deutschesalice.de
www.salice.com

SALICE UK LTD.

KINGFISHER WAY
HINCHINGBROOKE BUSINESS PARK
HUNTINGDON CAMBS PE 29 6FN
TEL. 01480 413831
FAX. 01480 451489
info.salice@saliceuk.co.uk
www.salice.com

SALICE FRANCE S.A.R.L.

285 RUE DE GOA ZAC LES 3 MOULINS
06600 ANTIBES
TEL. 0493 330069
FAX. 0493 330141
info.salice@salicefrance.com
www.salice.com

SALICE ESPAÑA, S.L.U.

C/ AIGUAFREDA 4, P.I. AMETLLA PARK
08480 L'AMETLLA DEL VALLÈS (BARCELONA)
TEL. 0034 938 46 88 61
info.salice@saliceespana.es
www.salice.com

SALICE PORTUGAL UNIP. LDA

SHOWROOM:

TV SÁ E MELO 161 FA
4470-116 MAIA - PORTO
TEL: 00351 224 154 221
Info@saliceportugal.pt
www.salice.com

ARMAZÉM:

VIA ROTA DOS MÓVEIS I 399
4585-325 GANDRA

SALICE CHINA (SHANGHAI) CO. LTD.

1st FLOOR, B1 BLDG 928 MINGZHU ROAD
XUJING, QINGPU DISTRICT
SHANGHAI 201702 - CHINA
TEL. 021 3988 9880
FAX. 021 3988 9882
info.salice@salicechina.com
www.salicechina.com

SALICE INDIA PVT. LTD.

1001 & 1002, 10TH FLOOR,
CENTRUM, PLOT NO. C-3,
OPP. WAGLE PRABHAG SAMITI OFFICE,
MIDC AREA, WAGLE INDUSTRIAL ESTATE,
THANE - 400604, MAHARASHTRA
TEL. 022 20812050
info@saliceindia.com
www.salice.com

SALICE CANADA INC.

3500 RIDGEWAY DRIVE,
UNIT#1
MISSISSAUGA, ONTARIO, L5L 0B4
TEL. 905 820 8787
FAX. 905 820 7226
info.salice@salicecanada.com
www.salicecanada.com

SALICE AMERICA INC.

2123 CROWN CENTRE DRIVE
CHARLOTTE NC. 28227
TEL. 704 841 7810
FAX. 704 841 7808
info.salice@saliceamerica.com
www.saliceamerica.com



Digital contents