



**Silentia+**

***SALICE***



# Catalogue index



## Silentia+ Series 100

page 9



## Silentia+ Series 200 for thicker doors

page 19



## Silentia+ Series 300

page 31



## Silentia+ Series 700

page 37



## Silentia+ For metal profiles

page 51



## Silentia+ Series 800

page 57



## Silentia+ Series 900

page 63



## Accessories

page 69





# Silentic+

The state of the soft-close art.

Silentic+ allows a perfect and constant closing of the door in any condition, use and application.

The innovative soft-close technology guarantees excellent performances to the complete range of hinges.

Silentic+ includes numerous technological elements in the required spaces and maintains the aesthetics of the hinges of the first generation.



# Silentia+

## Second generation

Integrated soft-close technology with two silicone oil dampers.

The two integrated dampers guarantee an exceptional regularity of the decelerating strength providing a perfect closing to any kind of door and condition.



## Ever-optimal soft-close action

Silentia+ is also equipped with the innovative switch to delay the decelerating action. The activation of this switch allows, even to special doors, to obtain the ideal decelerating strength.









**Silentia+** • **Series 100**

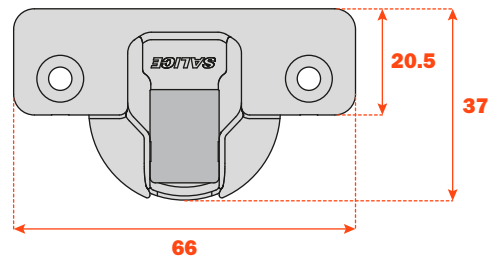
**Silentia** • Series 100

Hinges with adjustable integrated soft-close mechanism operated by twin silicone-oil dampers housed in the hinge cup.

The decelerating effect is adjusted by using a simple switch.

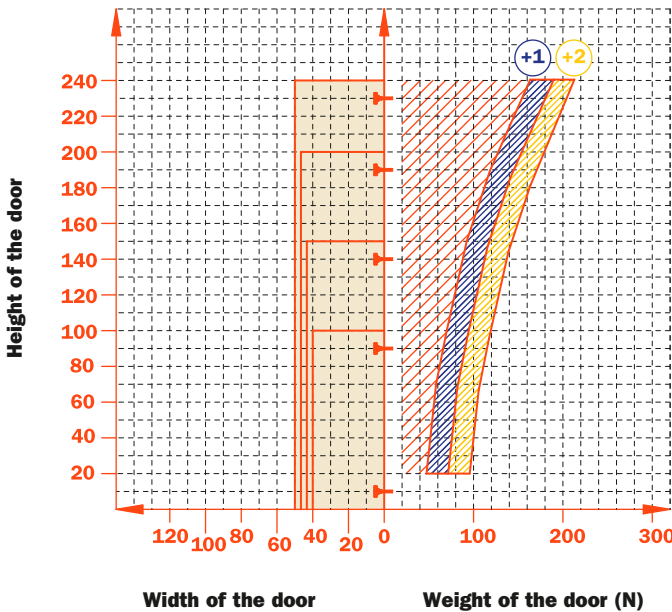
Bright nickel plated steel cup and arm.  
Dimensions of the Ø 35 mm cup.  
Hinges for doors of small weight and thickness.

**Technical features**



Constant "L" value of 1.3 mm (it does not change during side adjustment).

Approx. number of hinges required according to the door dimension and weight.



**Adjustments**

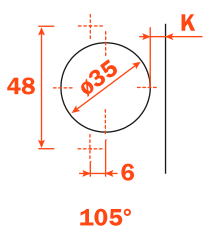
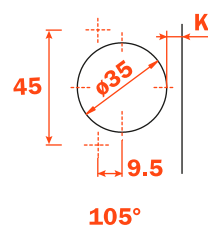
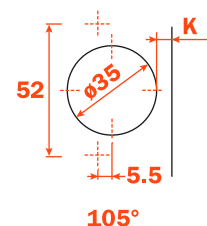

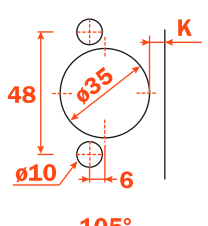
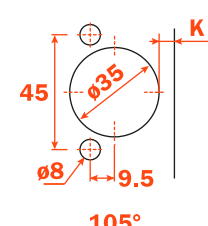
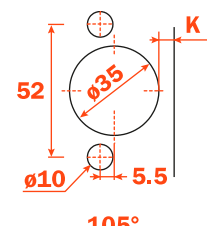
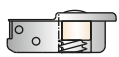

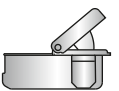
Compensated side adjustment from -1.5 mm to +4.5 mm.  
Height adjustment ±2 mm.  
Depth adjustment with Series 200 mounting plates +2.8 mm.  
Depth adjustment with Domi snap-on mounting plates from -0.5 mm to +2.8 mm.  
Anti-sliding safety stop.

**Mounting plates**

Symmetrical and asymmetrical bright nickel plated steel or die-cast Series 200 mounting plates.  
Snap-on assembly on Domi mounting plates.  
Positioning with pre-determined stop on traditional Series 200 mounting plates.

N.B. : Use POZIDRIVE No. 2 screwdrivers for all screws.

## Drillings and fixings

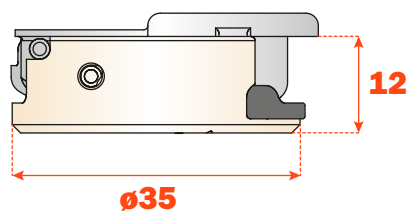
			
Wood screw 	<b>A</b>	<b>P</b>	<b>U</b>
			
Rapido 	<b>6</b>	<b>7</b>	<b>2</b>
Dowel 	<b>B</b>	<b>R</b>	<b>W</b>
Logica 	<b>I</b>	<b>J</b>	<b>Q</b>

Use this table to identify the available drillings and fixings.

Fill the third position of the hinge code number with the letter or the number corresponding to your choice. I.e.: C1\_6AE9.

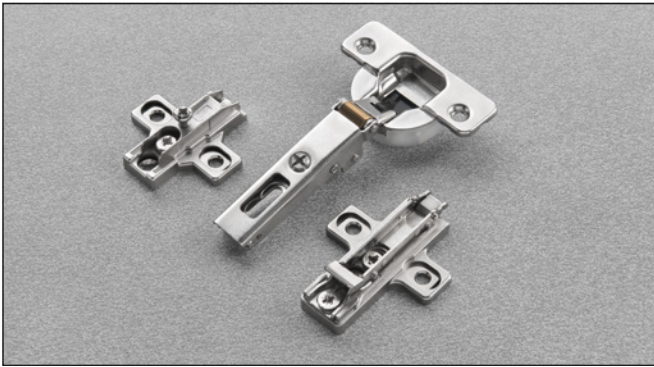


Fill this position with the chosen letter or number.



**105° opening  
and complementary hinges**

**Silentia** • Series 100 • 105° opening



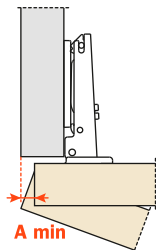
**Technical information**

Hinges with adjustable integrated soft-close mechanism operated by twin silicone-oil dampers housed in the hinge cup. The decelerating effect is adjusted by using a simple switch.

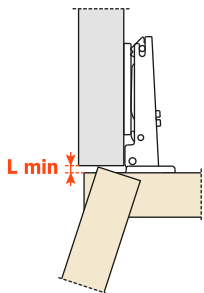
Hinges for doors of small weight and thickness. 12 mm deep cup.

105° opening.  
Possible drilling distance on the door (K): from 3 to 6 mm.  
Compatible with all traditional Series 200 mounting plates and with all Domi snap-on mounting plates.

**Space needed to open the door**



T=	15	16	17	18	19	20
K=3 <b>A=</b>	1.0	1.0	1.2	1.4	1.6	1.9
K=4 <b>A=</b>	0.9	1.0	1.2	1.3	1.5	1.8
K=5 <b>A=</b>	0.9	1.0	1.1	1.2	1.5	1.8
K=6 <b>A=</b>	0.9	1.0	1.1	1.2	1.4	1.7

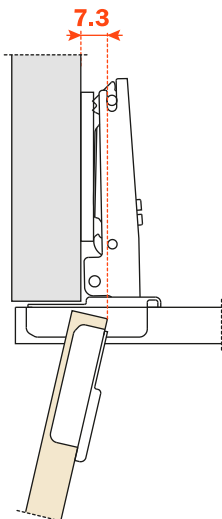


T=	15	16	17	18	19	20
K=3 <b>L=</b>	0.0	0.0	0.0	0.0	0.1	0.3
K=4 <b>L=</b>	0.4	0.6	0.7	0.9	1.1	1.2
K=5 <b>L=</b>	1.0	1.0	1.2	1.8	2.0	2.0
K=6 <b>L=</b>	1.6	1.8	2.0	2.1	2.3	2.5

The above values are calculated on the assumption that the doors have square edges. They are reduced if the doors have radiussed edges.

**Projection of the door**

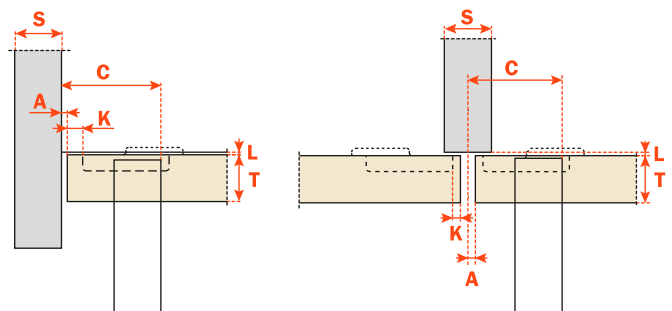
Projection of the door from the cabinet side at the max. opening. The figures are based on a straight arm hinge, H=0 mm thickness of mounting plate and K value = 3 mm.



**“C” value**

With this formula you can obtain the max. thickness of the moulded door that can be opened without touching adjacent carcase sides, doors or walls, whilst bearing in mind the above L · K · T values.

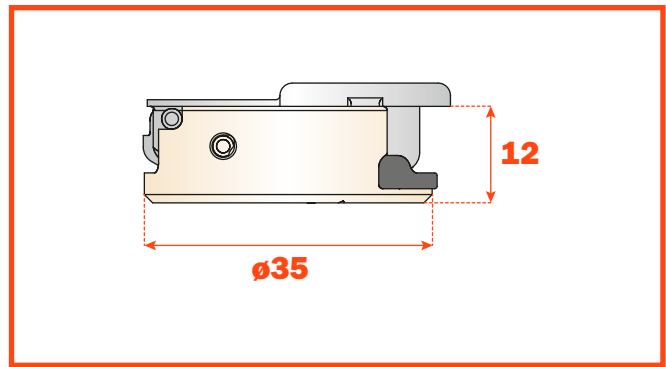
$$C = 20.5 + K + A$$



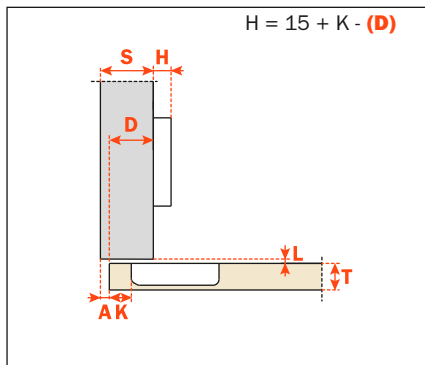
**Packing** • Boxes 300 pcs. • Pallets 7.200 pcs.  
**Logica Packing** • Boxes 150 pcs. • Pallets 3.600 pcs.

Use these formulas to determine the type of hinge arm, the drilling distance "K" and the height of the mounting plate "H" which is necessary to solve each application problem.

Use the tables "Drillings and fixings" at page 11 to complete the code number of the desired hinge.

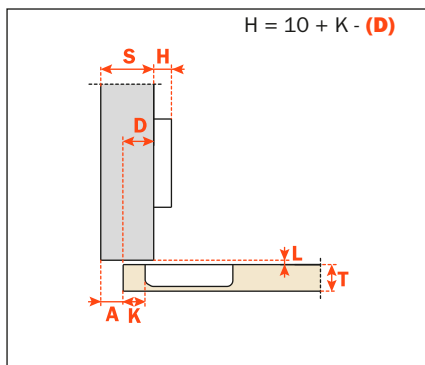


Arm 0



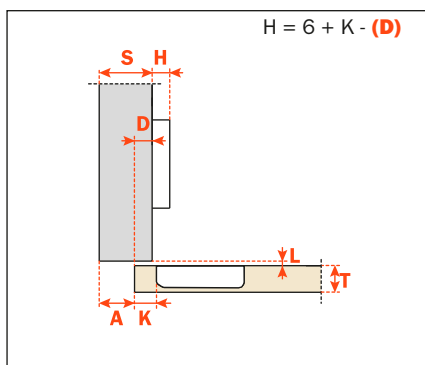
**C1\_6AE9**

Arm 5



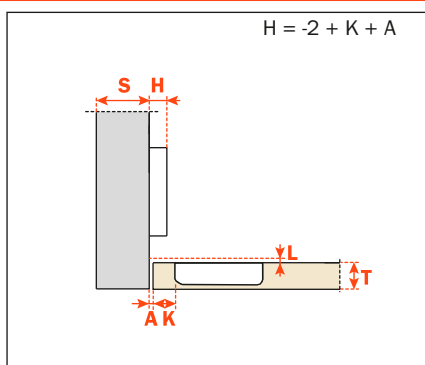
**C1\_6DE9**

Arm 9



**C1\_6GE9**

Arm 17



**C1\_6PE9**

**Silentia** • Series 100 • Complementary hinges



**Technical Information**

Hinges with adjustable integrated soft-close mechanism operated by twin silicone-oil dampers housed in the hinge cup. The decelerating effect is adjusted by using a simple switch.

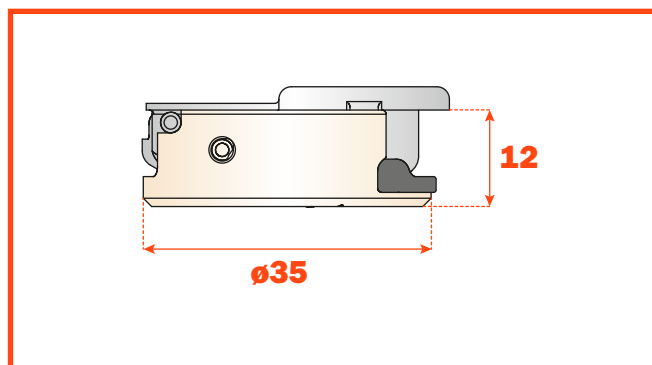
**For wooden doors with positive angled assembly. Hinges for doors of small weight and thickness. 12 mm deep cup.**

105° opening.  
Possible drilling distance on the door (K): from 3 to 6 mm.  
Compatible with all traditional Series 200 mounting plates and with all Domi snap-on mounting plates.

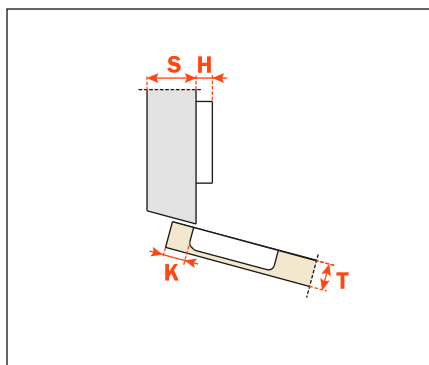
**Packing** • Boxes 150 pcs. • Pallets 3.600 pcs.

The solution of assembly problems where doors are mounted at a positive angle requires the verification of drilling distances by a practical trial. Please do not hesitate to consult our technical support department for assistance.

Use the tables "Drillings and fixings" at page 11 to complete the code number of the desired hinge.

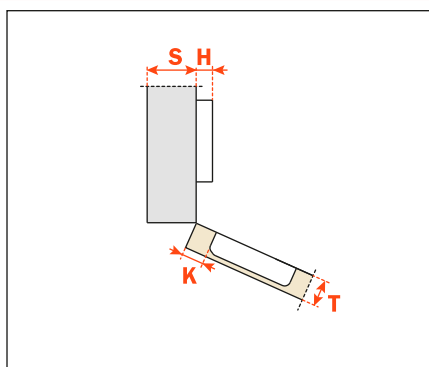


Arm 15°



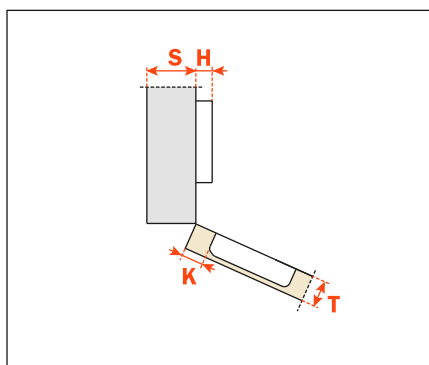
**C1\_6ZE9**

Arm 24°



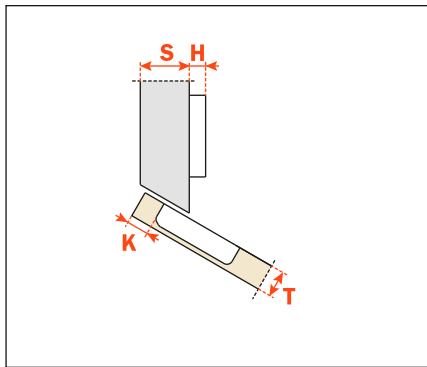
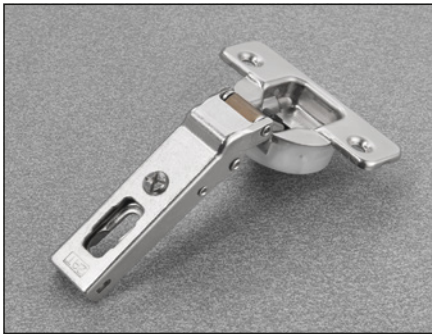
**C1\_6UE9**

Arm 30°



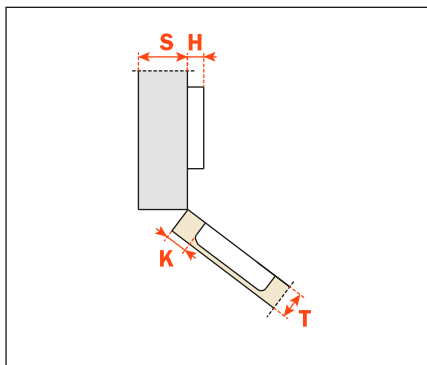
**C1\_6EE9**

Arm 30°



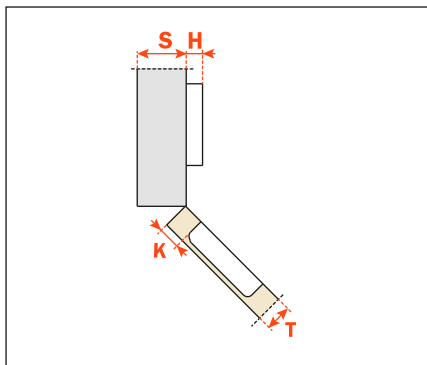
**C1\_6TE9**

Arm 37°



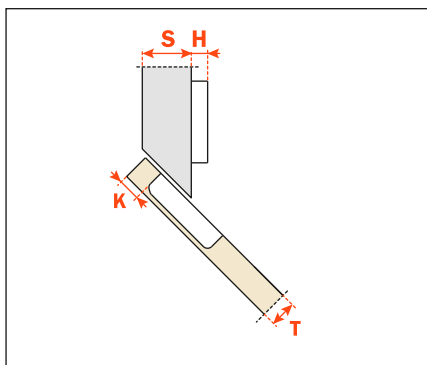
**C1\_6KE9**

Arm 45°



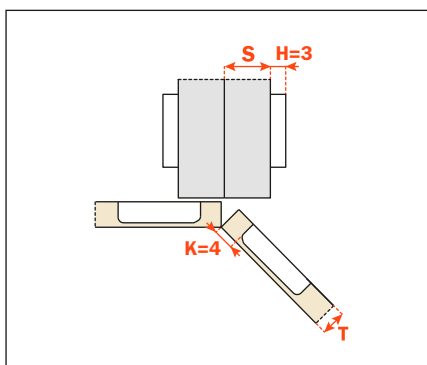
**C1\_6ME9**

Arm 45°



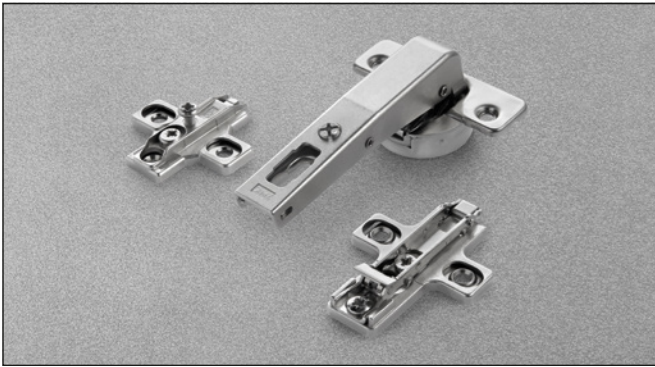
**C1\_6VE9**

Arm 45°



**C1\_6ME9AC**

**Silentia+**



**Technical Information**

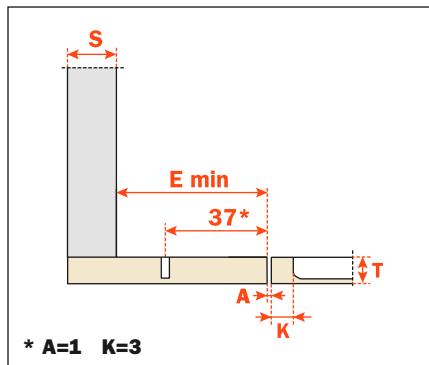
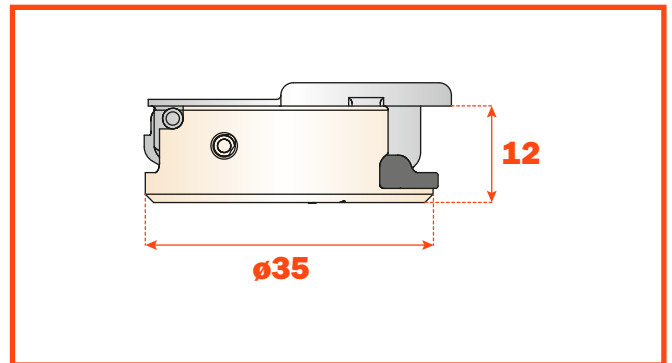
Hinges with adjustable integrated soft-close mechanism operated by twin silicone-oil dampers housed in the hinge cup. The decelerating effect is adjusted by using a simple switch.

**Crampon hinges. For cabinet sides with 37x32 standard drilling. Hinges for doors of small weight and thickness. 12 mm deep cup.**

105° opening.  
Possible drilling distance on the door (K): from 3 to 6 mm.  
Compatible with all traditional Series 200 mounting plates and with all Domi snap-on mounting plates.

**Packing** • Boxes 150 pcs. • Pallets 3.600 pcs.

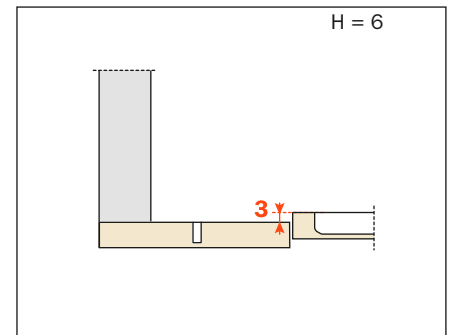
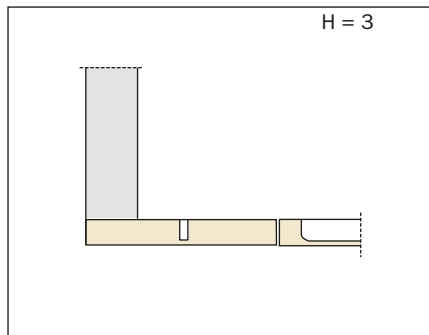
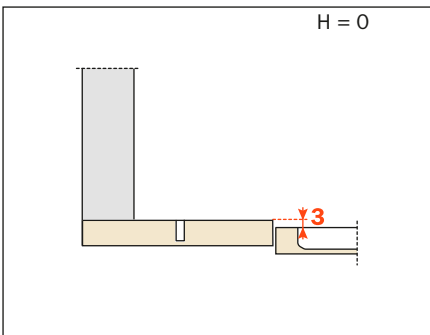
Use the tables "Drillings and fixings" at page 11 to complete the code number of the desired hinge.



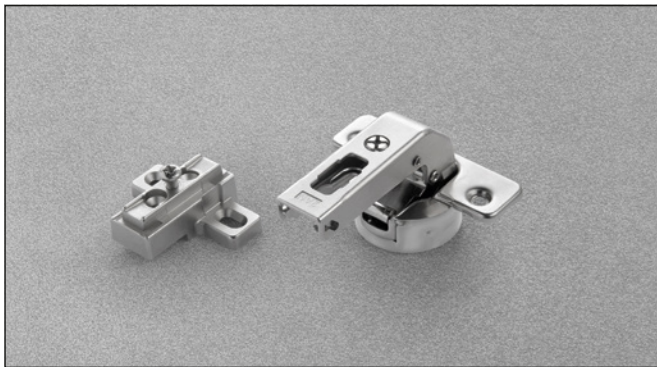
**C1\_6NE9AC**

**E min:**  
• 61 mm for Series 200 mounting plates.  
• 70 mm for Domi snap-on mounting plates.  
• 74 mm for Domi snap-on mounting plates with back cam.

Heights of mounting plates for every assembly.







### Technical information

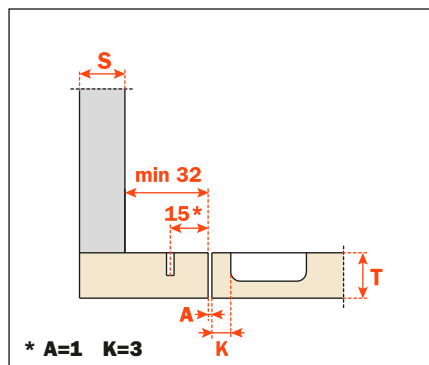
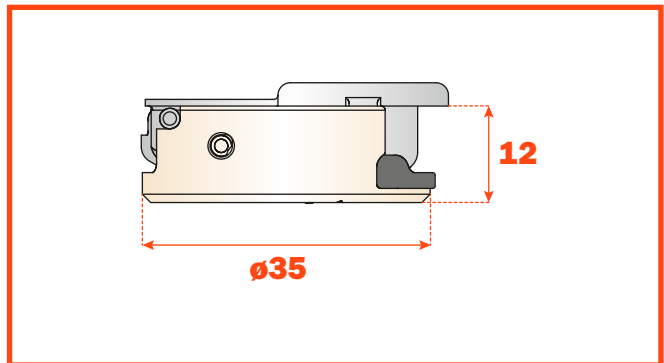
**Hinges with adjustable integrated soft-close mechanism operated by twin silicone-oil dampers housed in the hinge cup. The decelerating effect is adjusted by using a simple switch.**

**Crampon hinges. For smaller spaces with 15x32 mm drilling. Hinges for min. 18 mm thick doors. 12 mm deep cup.**

94° opening.  
Possible drilling distance on the door (K): from 3 to 9 mm.  
Compatible with all traditional Series 200 mounting plates, 28x32 mm drilling.  
**NOT COMPATIBLE** with Domi snap-on mounting plates.

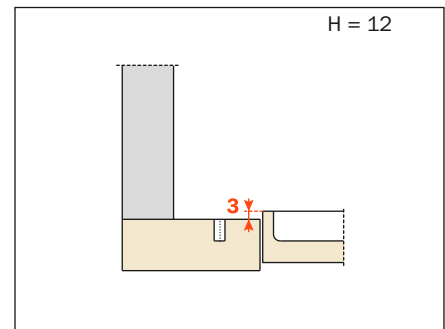
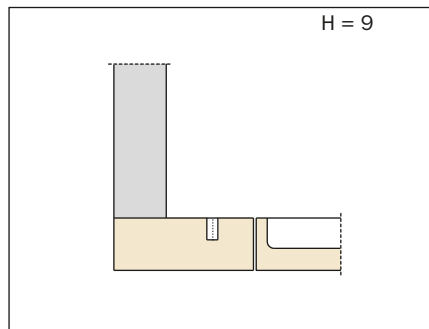
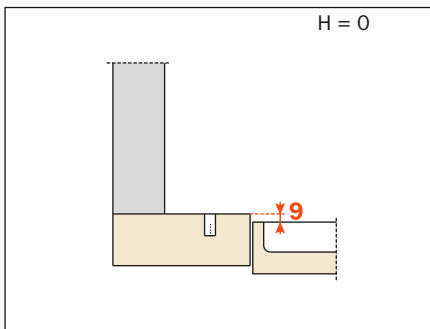
**Packing** • Boxes 150 pcs. • Pallets 3.600 pcs.

Use the tables "Drillings and fixings" at page 11 to complete the code number of the desired hinge.



**C1\_6NE9**

Heights of mounting plates for every assembly.







**Silentia+** • Series 200 for thicker doors

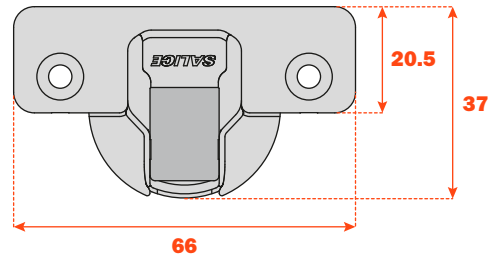
**Silentia** • Series 200 for thicker doors

**Technical features**

Hinges with adjustable integrated soft-close mechanism operated by twin silicone-oil dampers housed in the hinge cup.

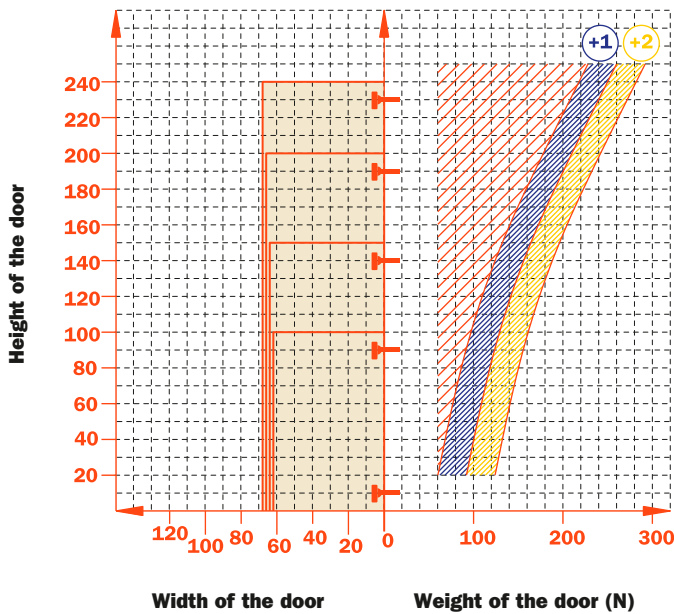
The decelerating effect is adjusted by using a simple switch.

Bright nickel plated steel cup and arm.  
Dimensions of the Ø 35 mm cup.



Constant "L" value of 1.3 mm (it does not change during side adjustment).

Approx. number of hinges required according to the door dimension and weight.



**Adjustments**

- Compensating side adjustment from -1.5 mm to +4.5 mm.
- Height adjustment ±2 mm.
- Depth adjustment with Series 200 mounting plates +2.8 mm.
- Depth adjustment with Domi snap-on mounting plates from -0.5 mm to +2.8 mm.
- Anti-sliding safety stop.

**Mounting plates**

- Symmetrical and asymmetrical bright nickel plated steel or die-cast Series 200 mounting plates.
- Snap-on assembly on Domi mounting plates.
- Positioning with pre-determined stop on traditional Series 200 mounting plates.

N.B. : Use POZIDRIVE No. 2 screwdrivers for all screws.

## Drillings and fixings

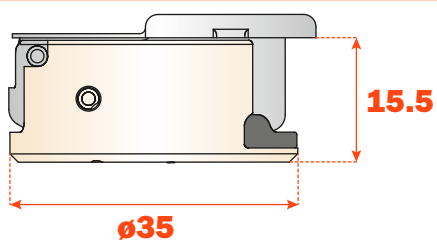
	94°	155°	94°	155°	94°	155°
Wood screw	A	A	P	P	U	U
	94°	155°	94°	155°	94°	155°
Rapido	6	6	7	7	2	2
Dowel	B	B	R	R	W	W
Logica	I	I	J	J	Q	Q

Use this table to identify the available drillings and fixings.

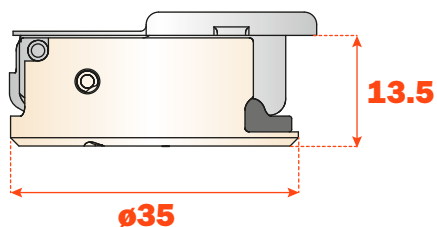
Fill the third position of the hinge code number with the letter or the number corresponding to your choice. I.e.: C2\_BAE9.



Fill this position with the chosen letter or number.



**94° opening and complementary hinges**



**155° opening**

**Silentia** • Series 200 for thicker doors • 94° opening



**Technical information**

Hinges with adjustable integrated soft-close mechanism operated by twin silicone-oil dampers housed in the hinge cup. The decelerating effect is adjusted by using a simple switch.

Hinges for min. 18 mm thick doors.

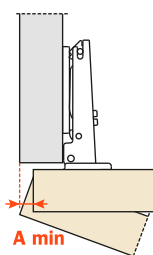
15.5 mm deep cup.

94° opening.

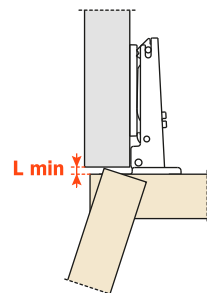
Possible drilling distance on the door (K): from 3 to 9 mm.

Compatible with all traditional Series 200 mounting plates and with all Domi snap-on mounting plates.

**Space needed to open the door**



T=	19	20	21	22	23	24	25	26	27	28	29	30	31	32	33	34	35
K=3	A= 0.1	0.2	0.3	0.4	0.5	0.7	0.8	1.0	1.6	2.6	3.5	4.5	5.4	6.4	7.4	8.3	9.3
K=4	A= 0.1	0.2	0.3	0.4	0.5	0.7	0.8	1.0	1.2	1.9	2.8	3.8	4.7	5.7	6.6	7.6	8.6
K=5	A= 0.1	0.2	0.3	0.4	0.5	0.7	0.8	1.0	1.2	1.4	2.2	3.1	4.1	5.0	5.9	6.9	7.8
K=6	A= 0.1	0.2	0.3	0.4	0.5	0.6	0.8	1.0	1.2	1.4	1.7	2.6	3.5	4.4	5.3	6.2	7.2
K=7	A= 0.1	0.2	0.3	0.4	0.5	0.6	0.8	1.0	1.1	1.3	1.6	2.1	3.0	3.8	4.7	5.6	6.5
K=8	A= 0.1	0.2	0.3	0.4	0.5	0.6	0.8	0.9	1.1	1.3	1.6	1.8	2.5	3.3	4.2	5.1	6.0
K=9	A= 0.1	0.2	0.3	0.4	0.5	0.6	0.8	0.9	1.1	1.3	1.5	1.8	2.1	2.9	3.7	4.6	5.4

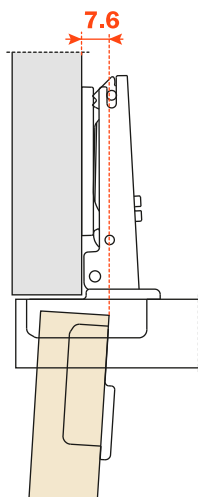


K	3	4	5	6	7	8	9
L=	0.0	0.0	0.0	0.0	0.0	0.3	1.3

The above values are calculated on the assumption that the doors have square edges. They are reduced if the doors have radiussed edges.

**Projection of the door**

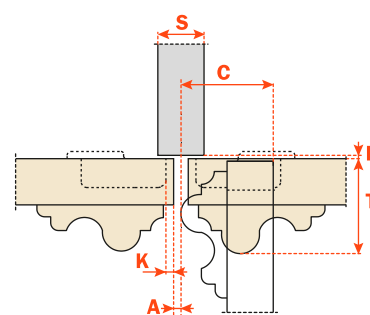
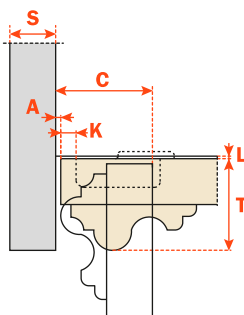
Projection of the door from the cabinet side at the max. opening. The figures are based on a straight arm hinge, H=0 mm thickness of mounting plate and K value = 3 mm.



**“C” value**

With this formula you can obtain the max. thickness of the moulded door that can be opened without touching adjacent carcass sides, doors or walls, whilst bearing in mind the above L · K · T values.

$$C = 23 + K + A$$

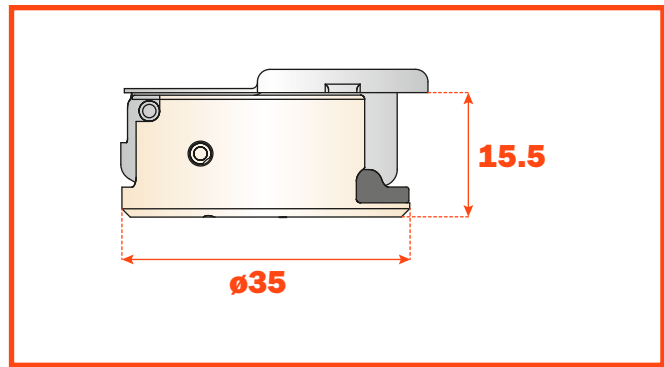


**Packing** • Boxes 300 pcs. • Pallets 7.200 pcs.

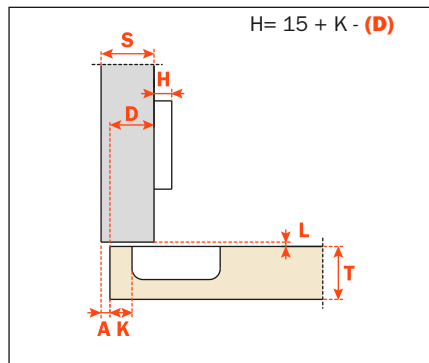
**Logica Packing** • Boxes 150 pcs. • Pallets 3.600 pcs.

Use these formulas to determine the type of hinge arm, the drilling distance "K" and the height of the mounting plate "H" which is necessary to solve each application problem.

Use the tables "Drillings and fixings" at page 21 to complete the code number of the desired hinge.

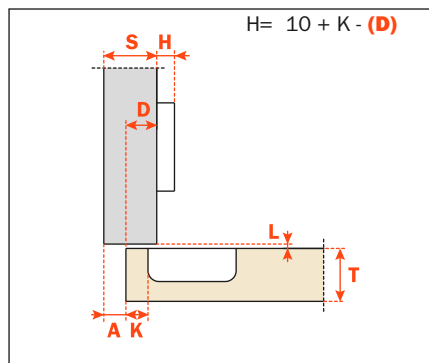


Arm 0



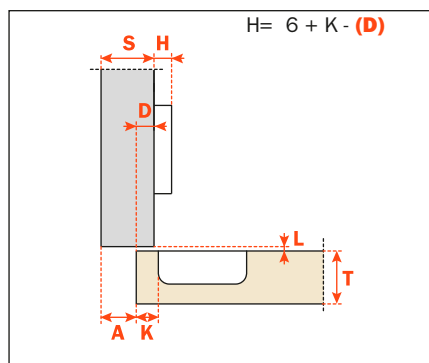
**C2\_BAE9**

Arm 5



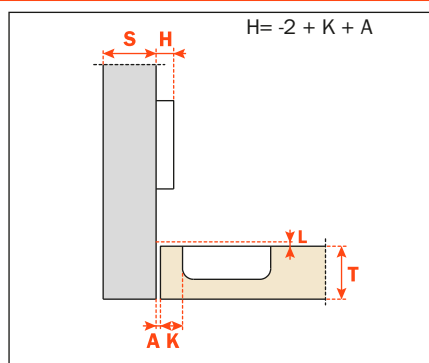
**C2\_BDE9**

Arm 9



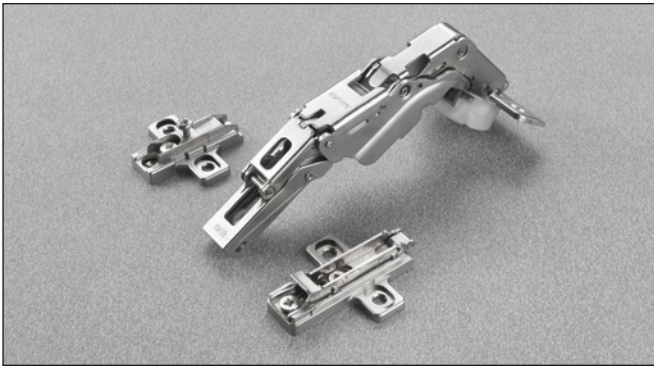
**C2\_BGE9**

Arm 17



**C2\_BPE9**

**Silentia** • Series 200 for thicker doors • 155° opening



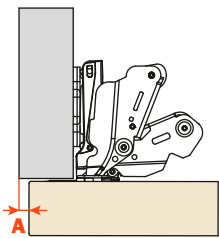
**Technical information**

Hinges with integrated soft-close mechanism operated by twin silicone-oil dampers housed in the hinge cup.

Hinges for thick doors 16 mm min.  
Hinge with greater opening angle and reduced operating profile 13.5 mm deep cup.

155° opening.  
Possible drilling distance on the door (K): from 3 to 8 mm.  
Compatible with all traditional Series 200 mounting plates and with all Domi snap-on mounting plates.

**Space needed to open the door**



	T=	16	18	20	22	24	25	26	27	28
K=3	A=	0.0	0.0	0.0	0.0	0.0	0.10	0.40	0.75	1.20
K=4	A=	0.0	0.0	0.0	0.0	0.0	0.15	0.45	0.85	1.35
K=5	A=	0.0	0.0	0.0	0.0	0.0	0.20	0.50	0.95	120° 1.70
K=6	A=	0.0	0.0	0.0	0.0	0.0	0.25	0.60	1.10	120° 1.95
K=7	A=	0.0	0.0	0.0	0.0	0.0	0.30	0.70	1.30	92° 2.30
K=8	A=	0.0	0.0	0.0	0.0	0.0	0.35	0.85	120° 1.70	92° 2.80
K=9	A=	0.0	0.0	0.0	0.0	0.15	0.55	1.20	92° 2.15	

With opening stop device to 92° art. S2BM37XG

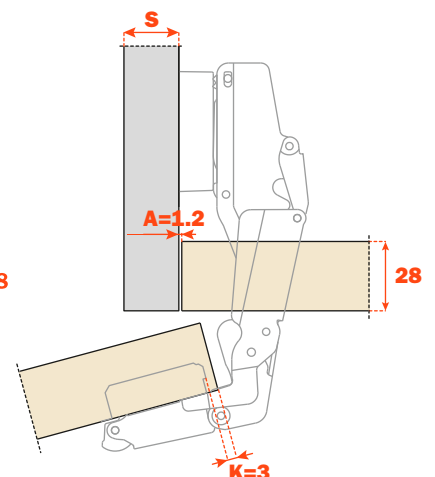
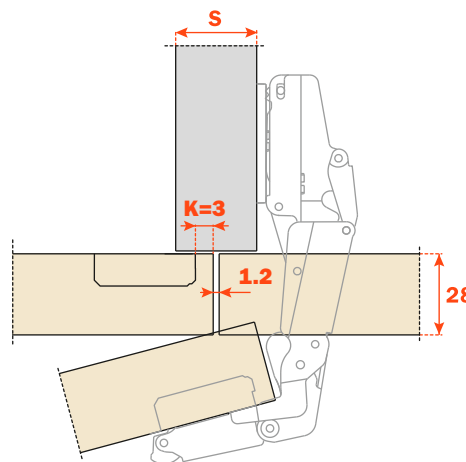
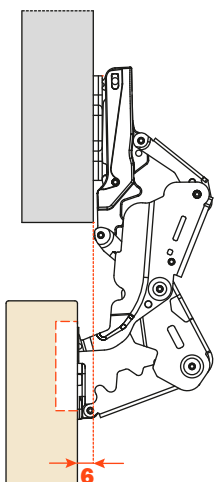
With opening stop device to 120° art. S2AM37XG

The above values are calculated on the assumption that the doors have square edges. They are reduced if the doors have radiussed edges.

**Spaces with removable components.**

**“C” value**

The door combined with a mounting plate H=0 and a straight arm hinge opens at 90° with lateral door protrusion of 6 mm.



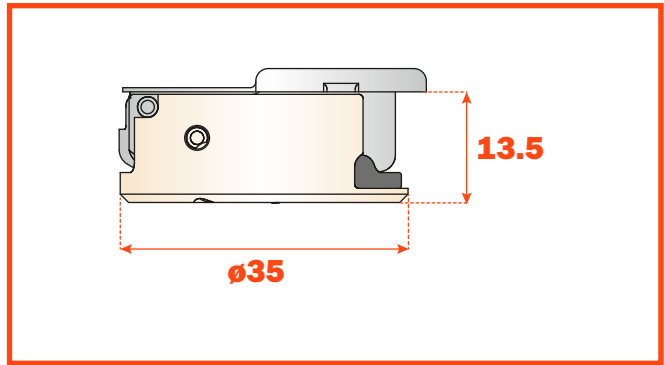


**Packing** • Boxes 100 pcs. • Pallets 2.400 pcs.

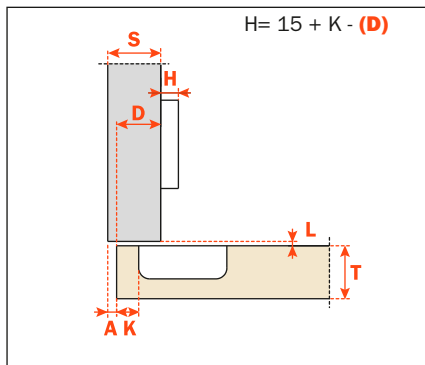
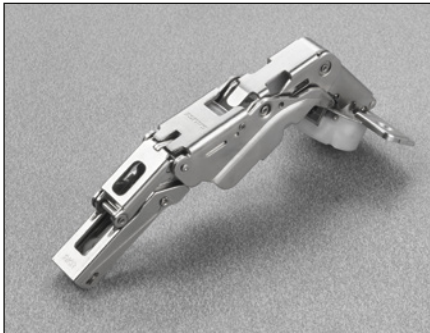
Use these formulas to determine the type of hinge arm, the drilling distance "K" and the height of the mounting plate "H" which is necessary to solve each application problem.

To limit the opening of the hinge, see page 69 chapter "Accessories".

Use the tables "Drillings and fixings" at page 21 to complete the code number of the desired hinge.

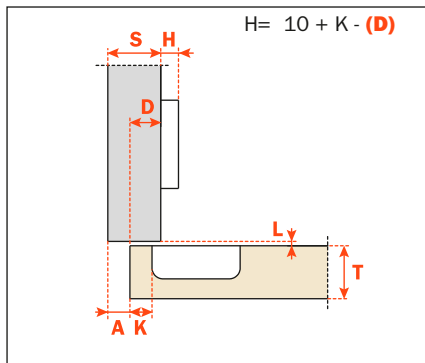


Arm 0



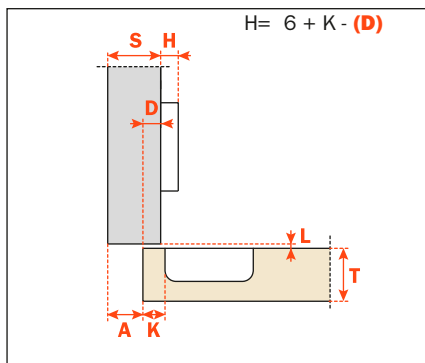
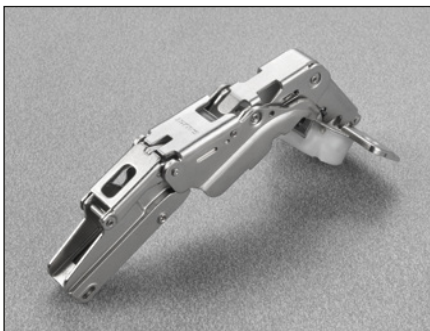
**C2\_KAE9**

Arm 5

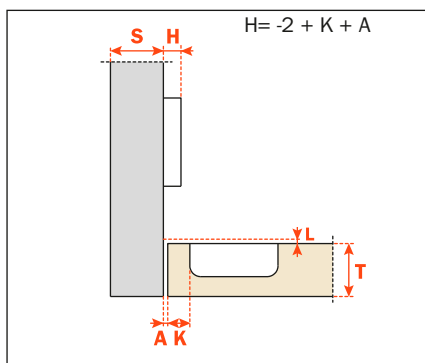


**C2\_KDE9**

Arm 9

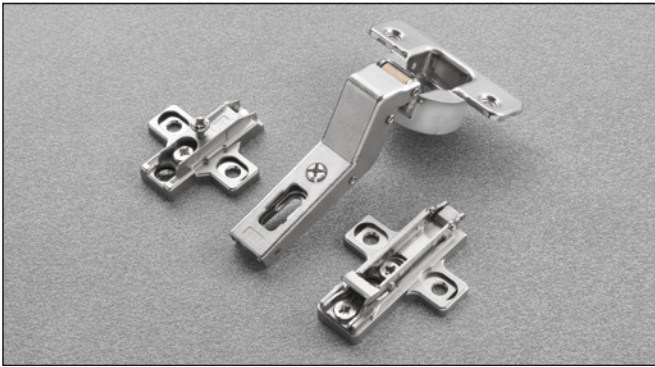


**C2\_KGE9**



**C2\_KPE9**

**Silentia** • Series 200 for thicker doors • Complementary hinges



**Technical information**

Hinges with adjustable integrated soft-close mechanism operated by twin silicone-oil dampers housed in the hinge cup. The decelerating effect is adjusted by using a simple switch.

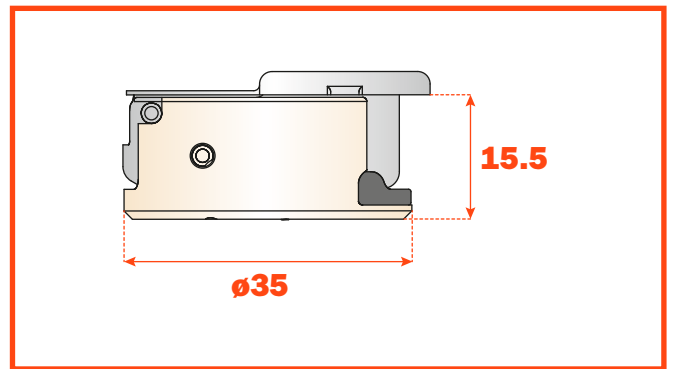
For wooden doors with positive angled assembly.  
Hinges for min. 18 mm thick doors.  
15.5 mm deep cup.

94° opening.  
Possible drilling distance on the door (K): from 3 to 9 mm.  
Compatible with all traditional Series 200 mounting plates and with all Domi snap-on mounting plates.

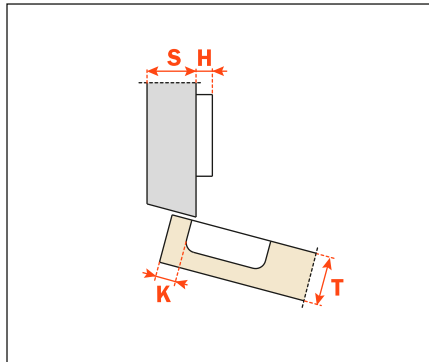
**Packing** • Boxes 150 pcs. • Pallets 3.600 pcs.

The solution of assembly problems where doors are mounted at a positive angle requires the verification of drilling distances by a practical trial. Please do not hesitate to consult our technical support department for assistance.

Use the tables "Drillings and fixings" at page 21 to complete the code number of the desired hinge.

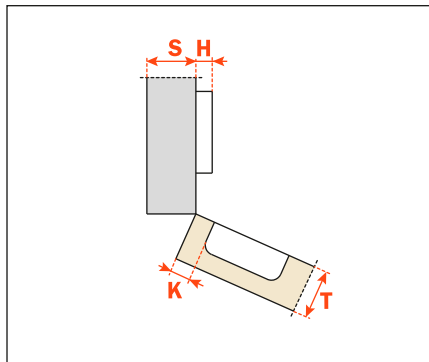


Arm 15°



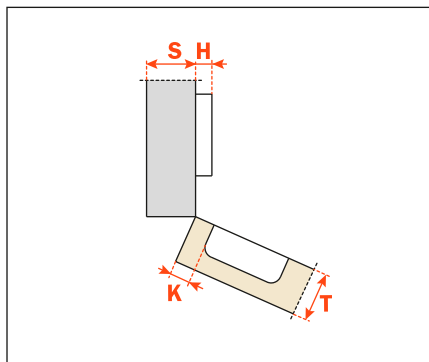
**C2\_BZE9**

Arm 24°



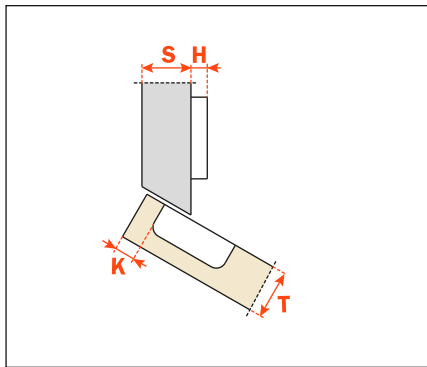
**C2\_BUE9**

Arm 30°



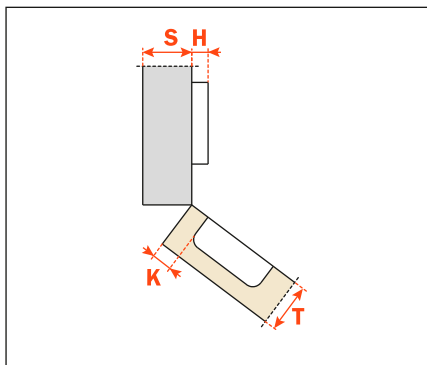
**C2\_BEE9**

Arm 30°



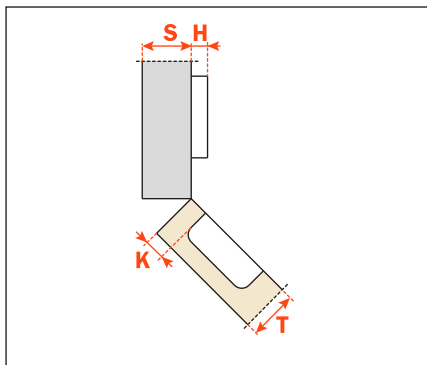
**C2\_BTE9**

Arm 37°



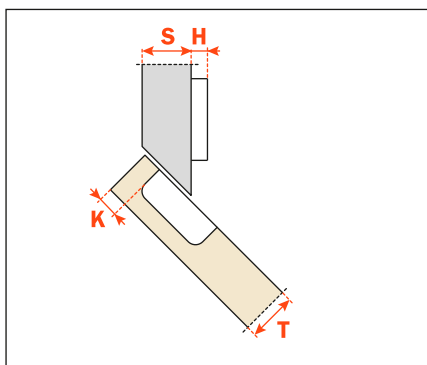
**C2\_BKE9**

Arm 45°



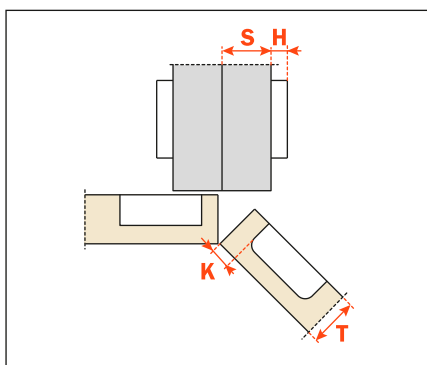
**C2\_BME9**

Arm 45°



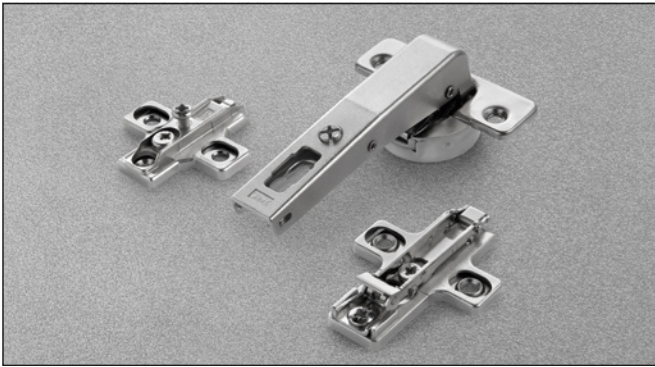
**C2\_BVE9**

Arm 45°



**C2\_BME9AC**

**Silentia** • Series 200 for thicker doors • Complementary hinges



**Technical information**

Hinges with adjustable integrated soft-close mechanism operated by twin silicone-oil dampers housed in the hinge cup. The decelerating effect is adjusted by using a simple switch.

**Crampon hinges.**

For cabinet sides with 37x32 mm standard drilling.

Hinges for min. 18 mm thick doors.

15.5 mm deep cup.

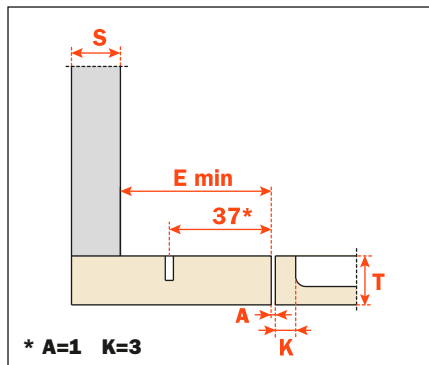
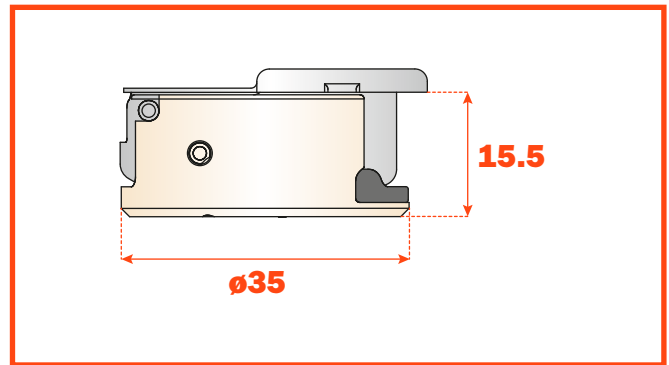
94° opening.

Possible drilling distance on the door (K): from 3 to 9 mm.

Compatible with all traditional Series 200 mounting plates and with all Domi snap-on mounting plates.

**Packing** • Boxes 150 pcs. • Pallets 3.600 pcs.

Use the tables "Drillings and fixings" at page 21 to complete the code number of the desired hinge.

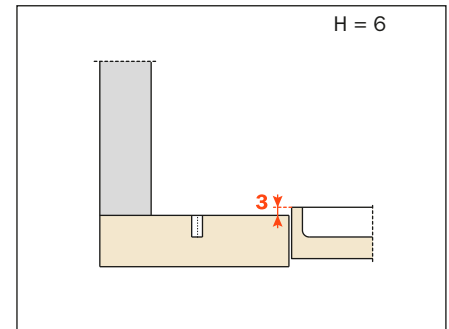
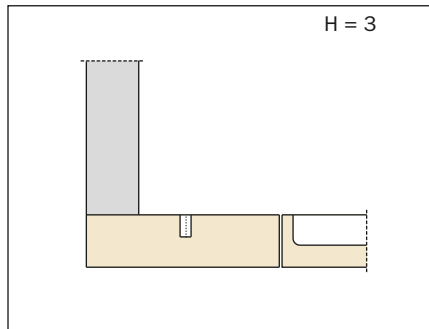
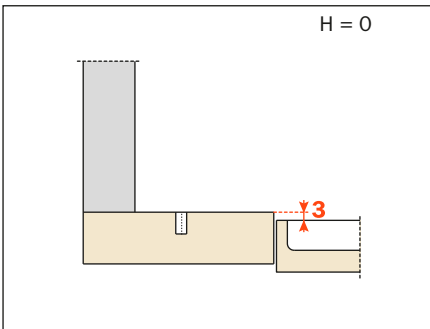


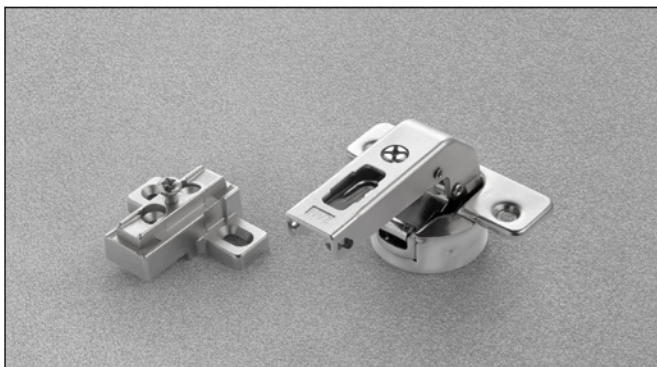
**C2\_BNE9AC**

**E min:**

- 61 mm for Series 200 mounting plates.
- 70 mm for Domi snap-on mounting plates.
- 74 mm for Domi snap-on mounting plates with back cam.

Heights of mounting plates for every assembly.





### Technical information

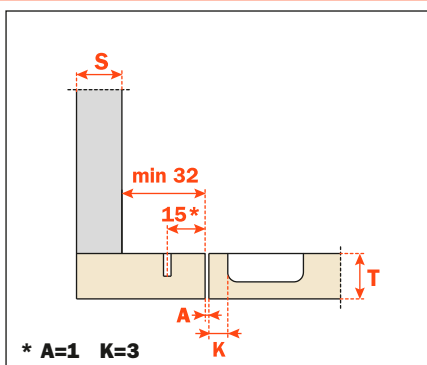
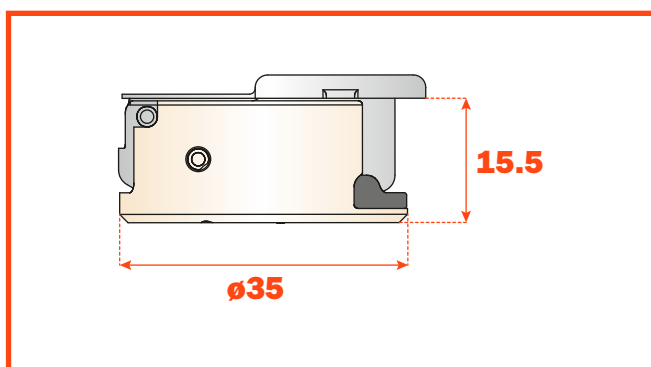
**Hinges with adjustable integrated soft-close mechanism operated by twin silicone-oil dampers housed in the hinge cup. The decelerating effect is adjusted by using a simple switch.**

**Crampon hinges. For smaller spaces with 15x32 mm drilling. Hinges for min. 18 mm thick doors. 15.5 mm deep cup.**

94° opening.  
Possible drilling distance on the door (K): from 3 to 9 mm.  
Compatible with all traditional Series 200 mounting plates, 28x32 mm drilling.  
**NOT COMPATIBLE** with Domi snap-on mounting plates.

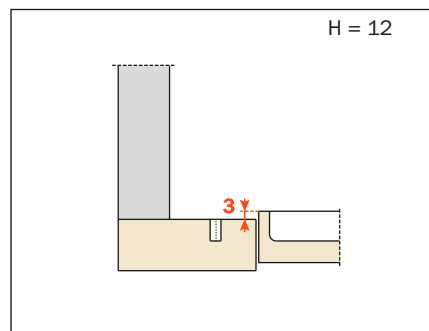
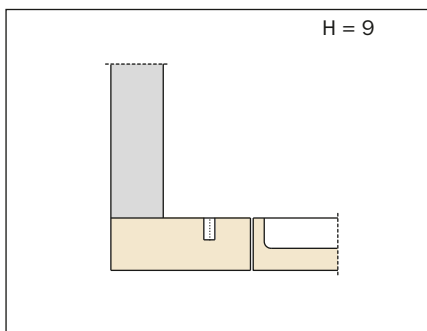
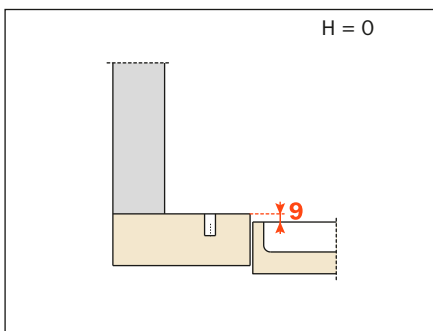
**Packing** • Boxes 150 pcs. • Pallets 3.600 pcs.

Use the tables "Drillings and fixings" at page 21 to complete the code number of the desired hinge.



**C2\_BNE9**

Heights of mounting plates for every assembly.







**Silentia+** • Series 300

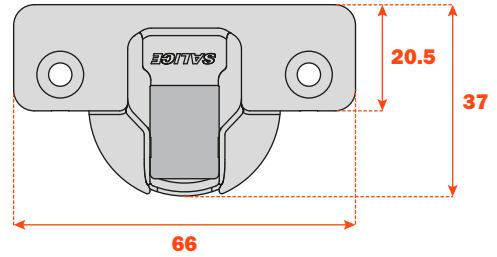
**Silentia** • Series 300

**Technical features**

Hinges with adjustable integrated soft-close mechanism operated by twin silicone-oil dampers housed in the hinge cup.

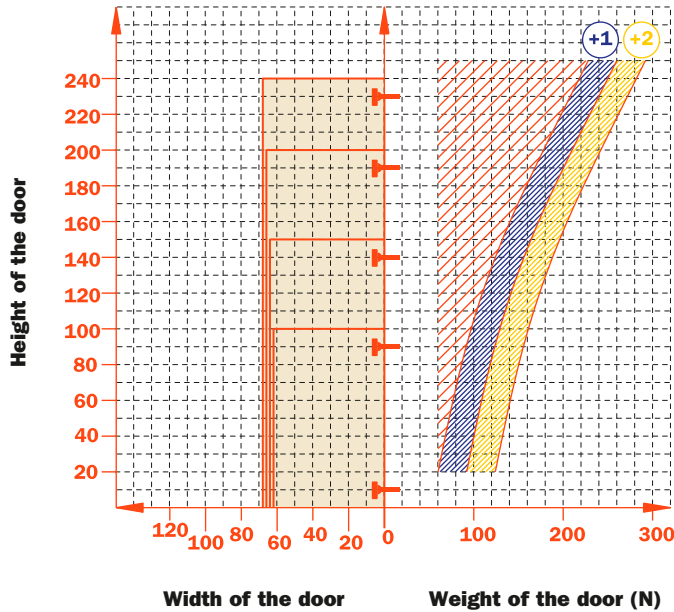
The decelerating effect is adjusted by using a simple switch.

Bright nickel plated steel cup and arm.  
Dimensions of the Ø 35 mm cup.



Constant "L" value of 1.3 mm (it does not change during side adjustment).

Approx. number of hinges required according to the door dimension and weight.



**Adjustments**

Compensating side adjustment from -1.5 mm to +3 mm.  
Height adjustment ±1.5 mm by cam.  
Depth adjustment with Series 300 mounting plates +2.8 mm.  
Anti-sliding safety stop.

**Mounting plates**

Asymmetrical bright nickel plated die-cast Series 300 mounting plates. Positioning with pre-determined stop.

N.B. : Use POZIDRIVE No. 2 screwdrivers for all screws.



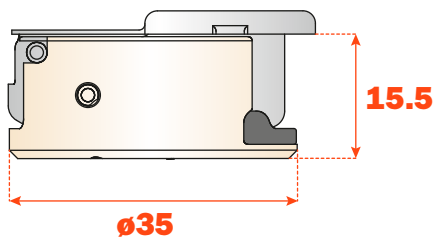
## Drillings and fixings

	<p>48 6 94°</p>	<p>45 9.5 94°</p>	<p>52 5.5 94°</p>
<b>Wood screw</b> 	<b>A</b>	<b>P</b>	<b>U</b>
	<p>48 6 94° 10</p>	<p>45 9.5 94° 8</p>	<p>52 5.5 94° 10</p>
<b>Dowel</b> 	<b>B</b>	<b>R</b>	<b>W</b>

**Use this table to identify the available drillings and fixings.**

**Fill the third position of the hinge code number with the letter or the number corresponding to your choice. I.e.: C3\_BAE9.**

↑  
Fill this position with the chosen letter or number.



**94° opening**

**Silentia** • Series 300 • 94° opening



**Technical information**

Hinges with adjustable integrated soft-close mechanism operated by twin silicone-oil dampers housed in the hinge cup.

The decelerating effect is adjusted by using a simple switch.

Hinges for min. 18 mm thick doors.

15.5 mm deep cup.

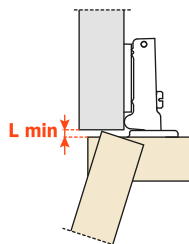
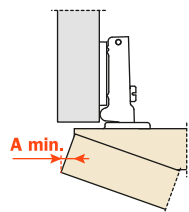
94° opening.

Possible drilling distance on the door (K): from 3 to 9 mm.

Compatible with all traditional Series 300 mounting plates.

**Space needed to open the door**

	T=	19	20	21	22	23	24	25	26	27	28	29	30	31	32	33	34	35
K=3	<b>A=</b>	0.1	0.2	0.3	0.4	0.5	0.7	0.8	1.0	1.6	2.6	3.5	4.5	5.4	6.4	7.4	8.3	9.3
K=4	<b>A=</b>	0.1	0.2	0.3	0.4	0.5	0.7	0.8	1.0	1.2	1.9	2.8	3.8	4.7	5.7	6.6	7.6	8.6
K=5	<b>A=</b>	0.1	0.2	0.3	0.4	0.5	0.7	0.8	1.0	1.2	1.4	2.2	3.1	4.1	5.0	5.9	6.9	7.8
K=6	<b>A=</b>	0.1	0.2	0.3	0.4	0.5	0.6	0.8	1.0	1.2	1.4	1.7	2.6	3.5	4.4	5.3	6.2	7.2
K=7	<b>A=</b>	0.1	0.2	0.3	0.4	0.5	0.6	0.8	1.0	1.1	1.3	1.6	2.1	3.0	3.8	4.7	5.6	6.5
K=8	<b>A=</b>	0.1	0.2	0.3	0.4	0.5	0.6	0.8	0.9	1.1	1.3	1.6	1.8	2.5	3.3	4.2	5.1	6.0
K=9	<b>A=</b>	0.1	0.2	0.3	0.4	0.5	0.6	0.8	0.9	1.1	1.3	1.5	1.8	2.1	2.9	3.7	4.6	5.4

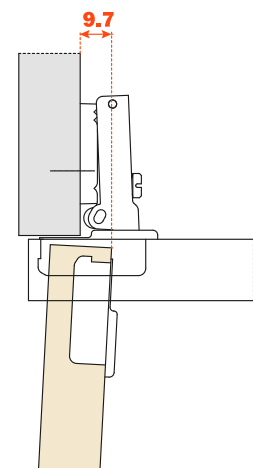


K=	3	4	5	6	7	8	9
<b>L=</b>	0.0	0.0	0.0	0.0	0.0	0.3	1.3

The above values are calculated on the assumption that the doors have square edges. They are reduced if the doors have radiussed edges.

**Projection of the door**

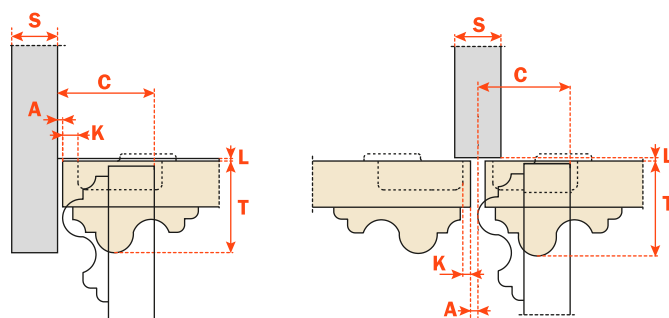
Projection of the door from the cabinet side at the max. opening. The figures are based on a straight arm hinge, H=0 mm thickness of mounting plate and K value = 3 mm.



**“C” value**

With this formula you can obtain the max. thickness of the moulded door that can be opened without touching adjacent carcass sides, doors or walls, whilst bearing in mind the above L · K · T values.

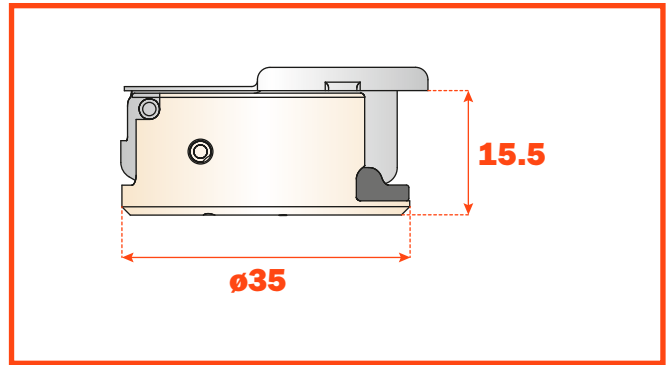
$$C = 22.5 + K + A$$



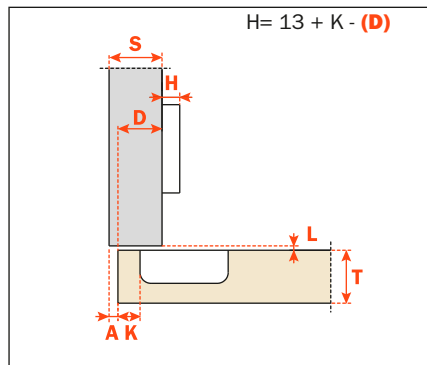
**Packing** - Boxes 300 pcs. - Pallets 7.200 pcs.

Use these formulas to determine the type of hinge arm, the drilling distance "K" and the height of the mounting plate "H" which is necessary to solve each application problem.

Use the tables "Drillings and fixings" at page 33 to complete the code number of the desired hinge.



Arm 0



**C3\_BAE9**





**Silentic+** • **Series 700**

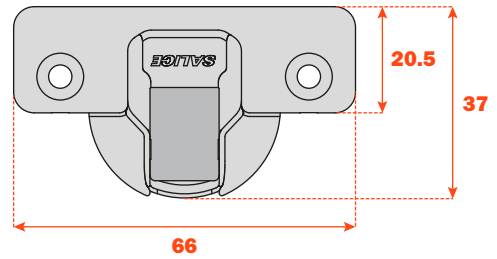
# Silentia

**Hinges with adjustable integrated soft-close mechanism operated by twin silicone-oil dampers housed in the hinge cup.**

**The decelerating effect is adjusted by using a simple switch.**

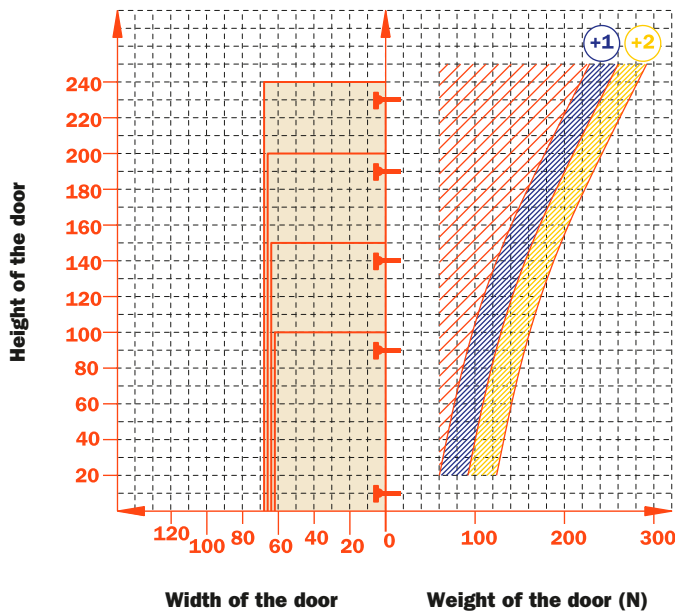
**Bright nickel plated steel cup and arm. Dimensions of the Ø 35 mm cup.**

## Technical features



Constant "L" value of 1.3 mm (it does not change during side adjustment).

Approx. number of hinges required according to the door dimension and weight.



## Adjustments

- Compensated side adjustment from -1.5 mm to +4.5 mm.
- Height adjustment  $\pm 2$  mm.
- Depth adjustment with Series 200 mounting plates +2.8 mm.
- Depth adjustment with Domi snap-on mounting plates from -0.5 mm to +2.8 mm.
- Anti-sliding safety stop.

## Mounting plates

- Symmetrical and asymmetrical bright nickel plated steel or die-cast Series 200 mounting plates.
- Snap-on assembly on Domi mounting plates.
- Positioning with pre-determined stop on traditional Series 200 mounting plates.

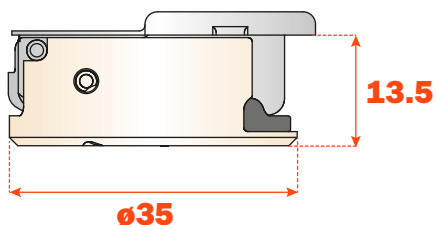
N.B. : Use POZIDRIVE No. 2 screwdrivers for all screws.

## Drillings and fixings

<b>Wood screw</b>		A	A	P	P	U	U
<b>Rapido</b>		6	6	7	7	2	2
<b>Dowel</b>		B	B	R	R	W	W
<b>Logica</b>		I	I	J	J	Q	Q

**Use this table to identify the available drillings and fixings.  
Fill the third position of the hinge code number with the letter or the number corresponding to your choice. I.e.: C7\_6AE9.**

↑  
Fill this position with the chosen letter or number.



**110° opening  
and complementary hinges**

**155° opening**

**Silentia** • Series 700 • 110° opening



**Technical information**

Hinges with adjustable integrated soft-close mechanism operated by twin silicone-oil dampers housed in the hinge cup. The decelerating effect is adjusted by using a simple switch.

Hinges for min. 16 mm thick doors.

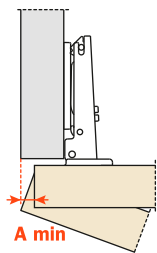
13.5 mm deep cup.

110° opening.

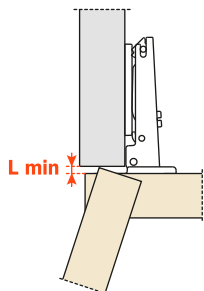
Possible drilling distance on the door (K): from 3 to 6 mm.

Compatible with all traditional Series 200 mounting plates and with all Domi snap-on mounting plates.

**Space needed to open the door**



	T=	16	17	18	19	20	21	22	23	24	25	26
K=3	<b>A=</b>	0.7	0.9	1.1	1.3	1.6	1.9	2.2	2.6	3.2	4.4	5.7
K=4	<b>A=</b>	0.6	0.8	1.1	1.3	1.6	1.8	2.2	2.5	2.9	3.4	4.7
K=5	<b>A=</b>	0.6	0.8	1.0	1.3	1.5	1.8	2.1	2.4	2.8	3.2	3.7
K=6	<b>A=</b>	0.6	0.8	1.0	1.2	1.5	1.8	2.1	2.4	2.7	3.1	3.6

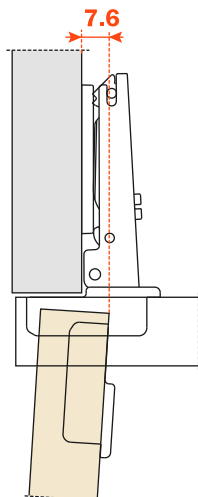


	T=	16	17	18	19	20	21	22	23	24	25	26
K=3	<b>L=</b>	0.0	0.0	0.0	0.0	0.0	0.0	0.0	0.2	0.4	0.6	0.9
K=4	<b>L=</b>	0.0	0.0	0.0	0.3	0.5	0.7	0.9	1.1	1.4	1.6	1.8
K=5	<b>L=</b>	0.6	0.8	1.0	1.2	1.5	1.7	1.9	2.1	2.4	2.6	2.8
K=6	<b>L=</b>	1.5	1.8	2.0	2.2	2.4	2.7	2.9	3.1	3.3	3.6	3.8

The above values are calculated on the assumption that the doors have square edges. They are reduced if the doors have radiussed edges.

**Projection of the door**

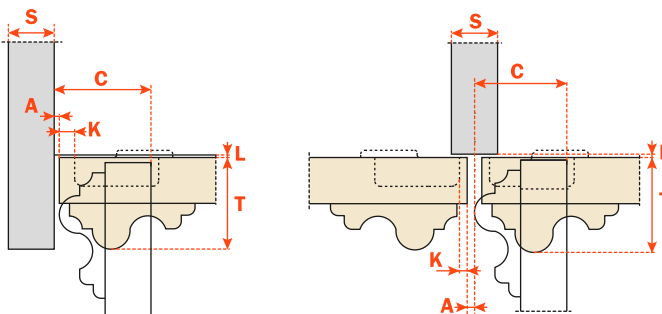
Projection of the door from the cabinet side at the max. opening. The figures are based on a straight arm hinge, H=0 mm thickness of mounting plate and K value = 3 mm.



**“C” value**

With this formula you can obtain the max. thickness of the moulded door that can be opened without touching adjacent carcass sides, doors or walls, whilst bearing in mind the above L · K · T values.

$$C = 22.5 + K + A$$

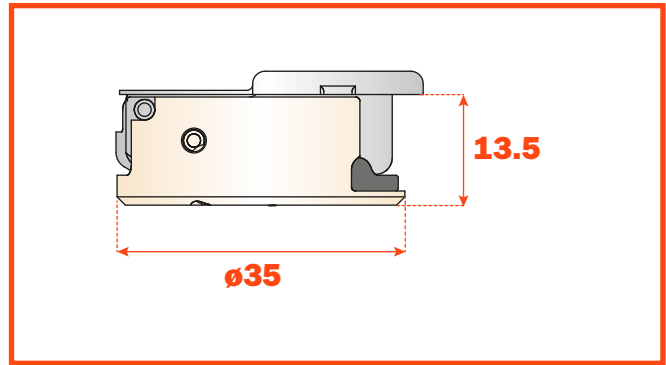




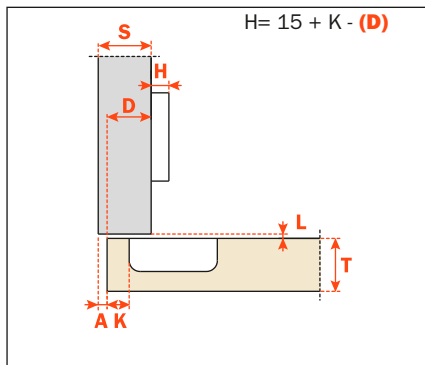
**Packing** • Boxes 300 pcs. • Pallets 7.200 pcs.

Use these formulas to determine the type of hinge arm, the drilling distance "K" and the height of the mounting plate "H" which is necessary to solve each application problem.

Use the tables "Drillings and fixings" at page 39 to complete the code number of the desired hinge.

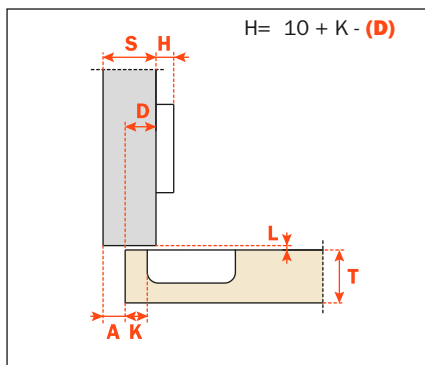


Arm 0



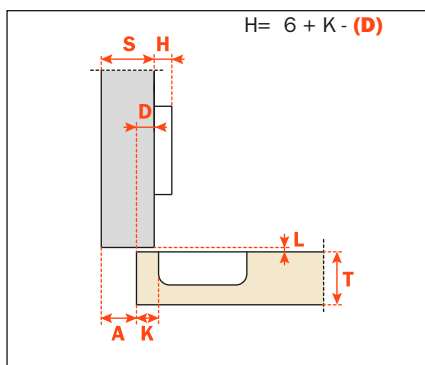
**C7\_6AE9**

Arm 5



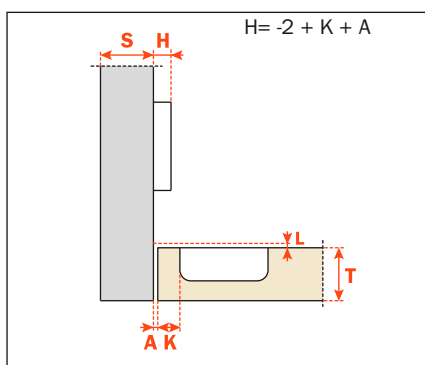
**C7\_6DE9**

Arm 9



**C7\_6GE9**

Arm 17



**C7\_6PE9**

**Silentia** • Series 700 • 155° opening



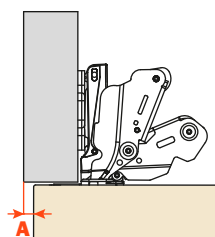
**Technical information**

Hinges with integrated soft-close mechanism operated by twin silicone-oil dampers housed in the hinge cup.

Hinges for thick doors 16 mm min.  
Hinge with greater opening angle and reduced operating profile.  
13.5 mm deep cup.

155° opening.  
Possible drilling distance on the door (K): from 3 to 9 mm.  
Compatible with all traditional Series 200 mounting plates and with all Domi snap-on mounting plates.

**Space needed to open the door**



	T=	16	18	20	22	24	25	26	27	28
K=3	A=	0.0	0.0	0.0	0.0	0.0	0.10	0.40	0.75	1.20
K=4	A=	0.0	0.0	0.0	0.0	0.0	0.15	0.45	0.85	1.35
K=5	A=	0.0	0.0	0.0	0.0	0.0	0.20	0.50	0.95	120° 1.70
K=6	A=	0.0	0.0	0.0	0.0	0.0	0.25	0.60	1.10	120° 1.95
K=7	A=	0.0	0.0	0.0	0.0	0.0	0.30	0.70	1.30	92° 2.30
K=8	A=	0.0	0.0	0.0	0.0	0.0	0.35	0.85	120° 1.70	92° 2.80
K=9	A=	0.0	0.0	0.0	0.0	0.15	0.55	1.20	92° 2.15	

With opening stop device a 92° art. S2BM37XG

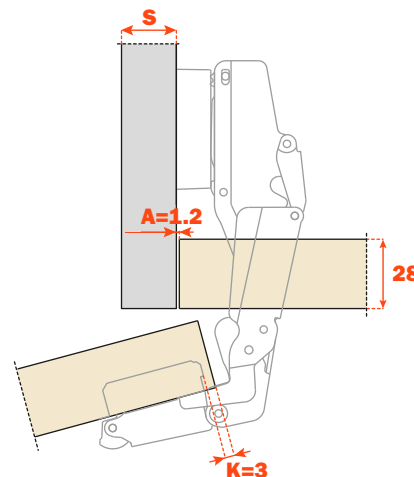
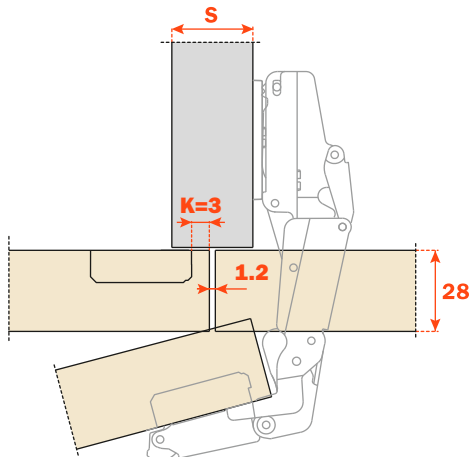
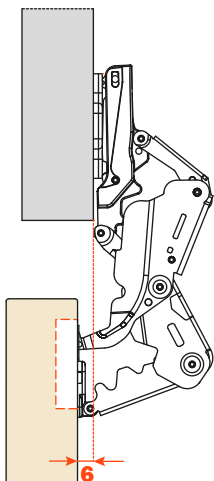
With opening stop device a 120° art. S2AM37XG

The above values are calculated on the assumption that the doors have square edges. They are reduced if the doors have radiussed edges.

**Spaces with removable components.**

**“C” value**

The door combined with a mounting plate H=0 and a straight arm hinge opens at 90° with lateral door protrusion of 6 mm.

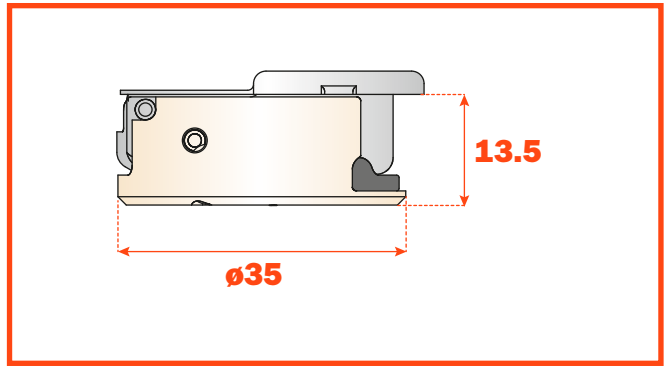


**Packing** • Boxes 100 pcs. • Pallets 2.400 pcs.

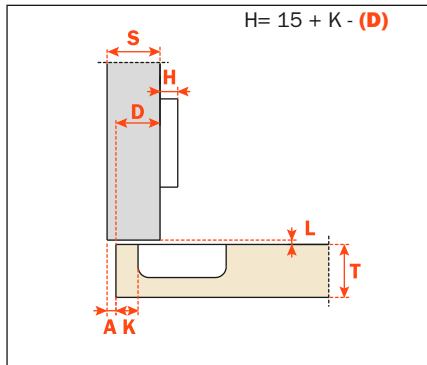
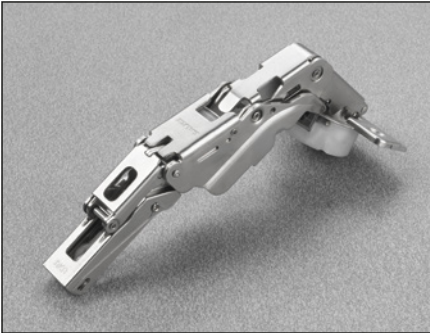
Use these formulas to determine the type of hinge arm, the drilling distance "K" and the height of the mounting plate "H" which is necessary to solve each application problem.

To limit the opening of the hinge, see page 69 chapter "Accessories".

Use the tables "Drillings and fixings" at page 39 to complete the code number of the desired hinge.

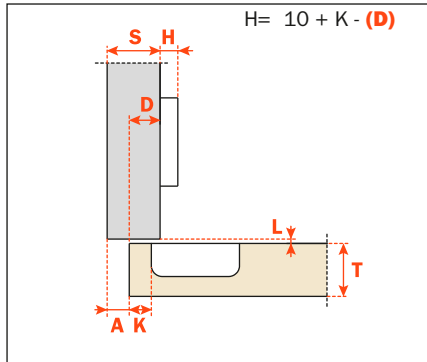


Arm 0



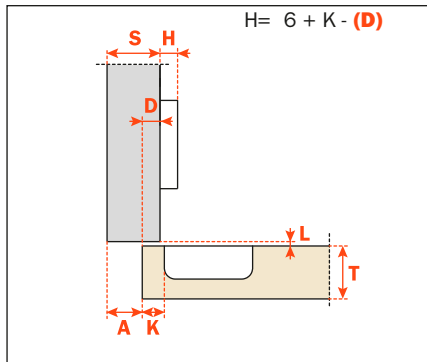
**C2\_KAE9**

Arm 5



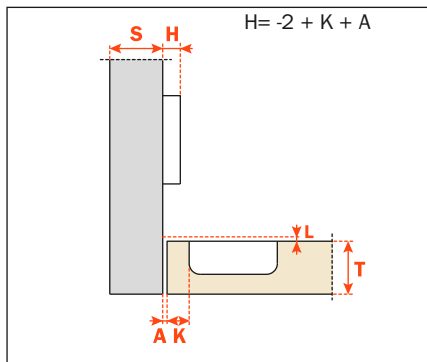
**C2\_KDE9**

Arm 9



**C2\_KGE9**

Arm 17



**C2\_KPE9**

**Silentia** • Series 700 • Complementary hinges



**Technical information**

Hinges with adjustable integrated soft-close mechanism operated by twin silicone-oil dampers housed in the hinge cup. The decelerating effect is adjusted by using a simple switch.

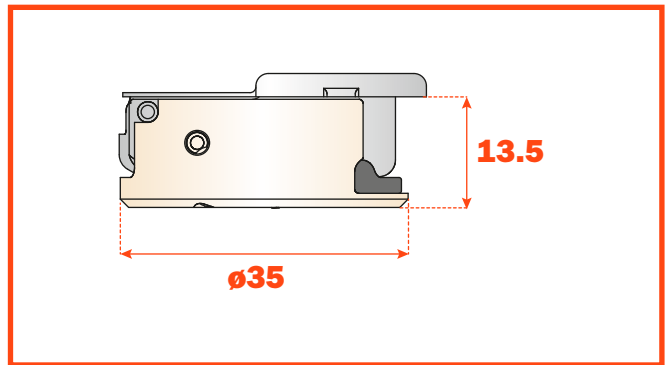
**For wooden doors with positive angled assembly. Hinges for min. 16 mm thick doors. 13.5 mm deep cup.**

110° opening.  
Possible drilling distance on the door (K): from 3 to 6 mm.  
Compatible with all traditional Series 200 mounting plates and with all Domi snap-on mounting plates.

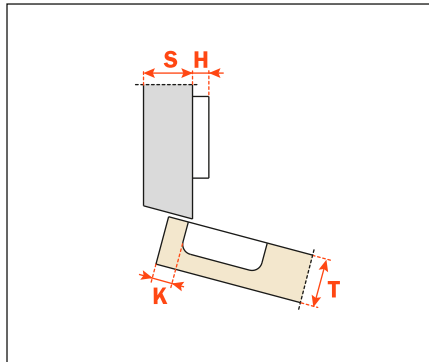
**Packing** • Boxes 150 pcs. • Pallets 3.600 pcs.

The solution of assembly problems where doors are mounted at a positive angle requires the verification of drilling distances by a practical trial. Please do not hesitate to consult our technical support department for assistance.

Use the tables "Drillings and fixings" at page 39 to complete the code number of the desired hinge.

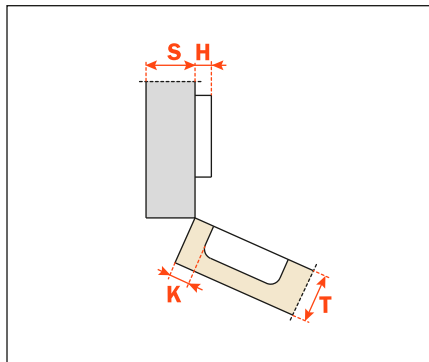


Arm 15°



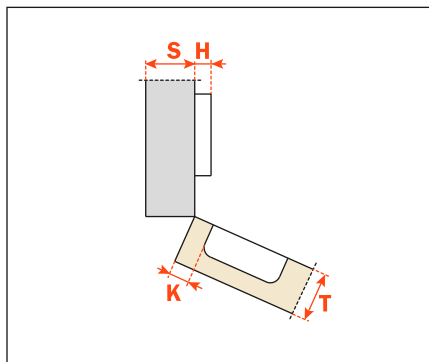
**C7\_6ZE9**

Arm 24°



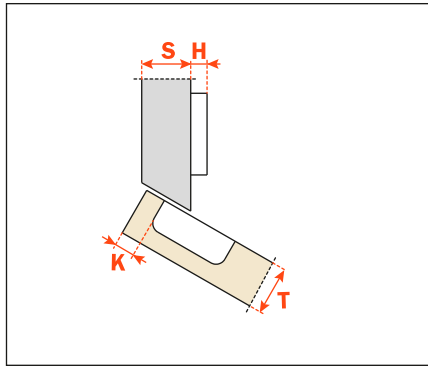
**C7\_6UE9**

Arm 30°



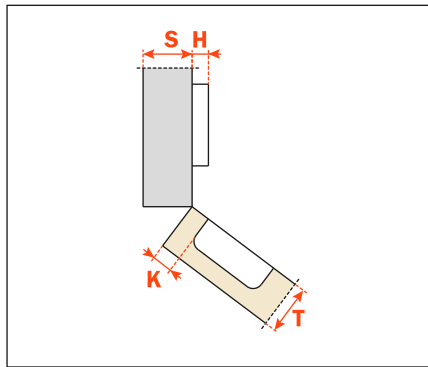
**C7\_6EE9**

Arm 30°



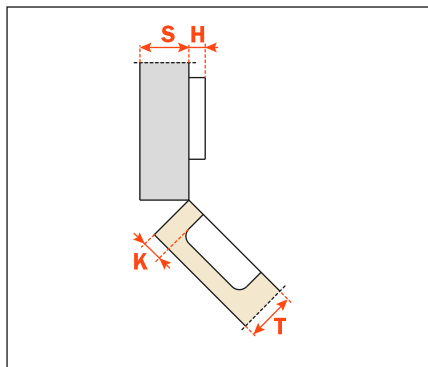
**C7\_6TE9**

Arm 37°



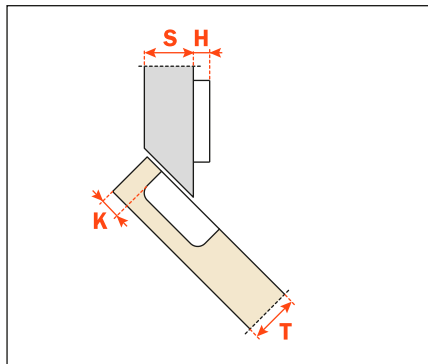
**C7\_6KE9**

Arm 45°



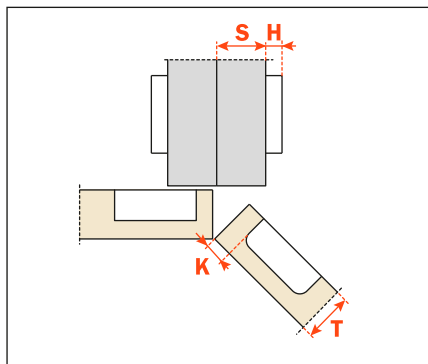
**C7\_6ME9**

Arm 45°



**C7\_6VE9**

Arm 45°



**C7\_6ME9AC**

**Silentia** • Complementary hinges



**Technical information**

**Hinges with adjustable integrated soft-close mechanism operated by twin silicone-oil dampers housed in the hinge cup. The decelerating effect is adjusted by using a simple switch.**

**For wooden doors with negative angled assembly.**

**Hinges for min. 16 mm thick doors.**

**13.5 mm deep cup.**

110° opening.

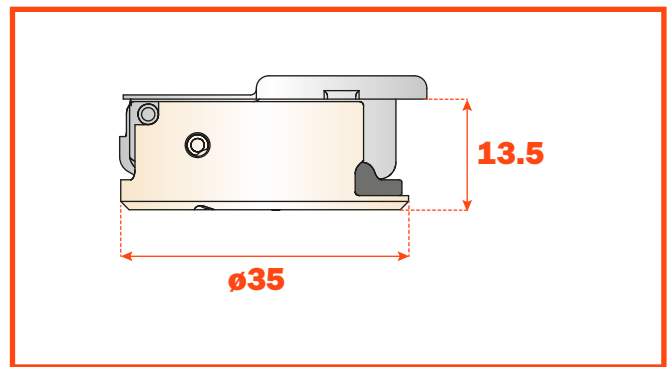
Possible drilling distance on the door (K): from 3 to 6 mm.

Compatible with all traditional Series 200 mounting plates and with all Domi snap-on mounting plates.

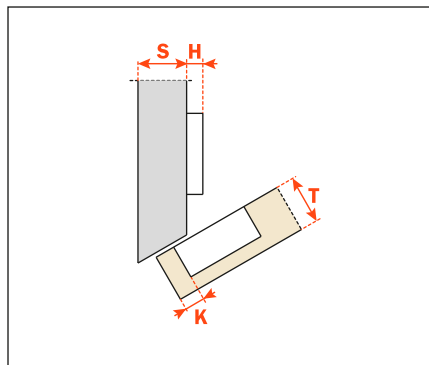
**Packing** • Boxes 150 pcs. • Pallets 3.600 pcs.

The solution of assembly problems where doors are mounted at a negative angle requires the verification of drilling distances by a practical trial. Please do not hesitate to consult our technical support department for assistance.

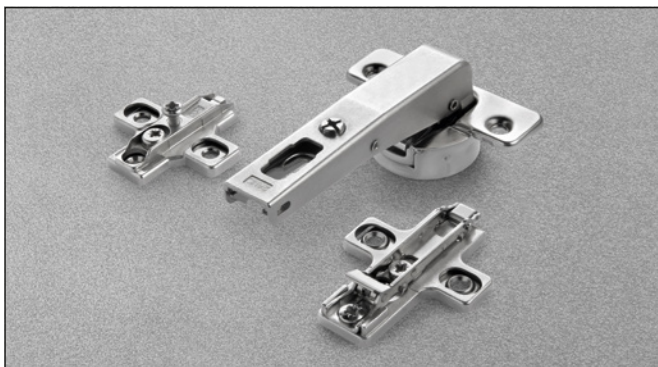
Use the tables "Drillings and fixings" at page 39 to complete the code number of the desired hinge.



Arm **-30°**



**C7\_6WE9**



### Technical information

Hinges with adjustable integrated soft-close mechanism operated by twin silicone-oil dampers housed in the hinge cup. The decelerating effect is adjusted by using a simple switch.

#### Crampon hinges.

For cabinet sides with 37x32 mm standard drilling.

Hinges for min. 16 mm thick doors.

13.5 mm deep cup.

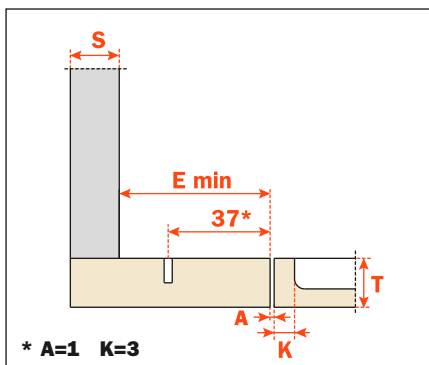
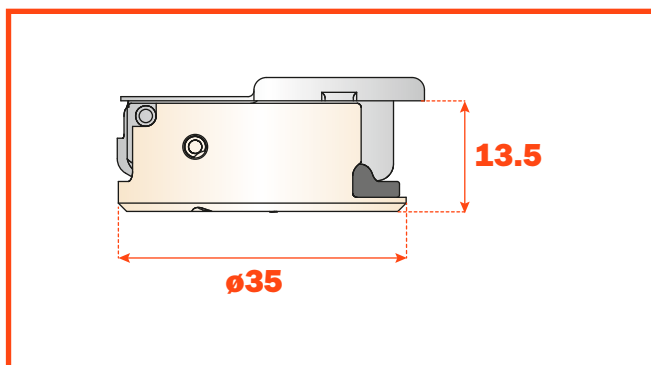
110° opening.

Possible drilling distance on the door (K): from 3 to 6 mm.

Compatible with all traditional Series 200 mounting plates and with all Domi snap-on mounting plates.

**Packing** • Boxes 150 pcs. • Pallets 3.600 pcs.

Use the tables "Drillings and fixings" at page 39 to complete the code number of the desired hinge.

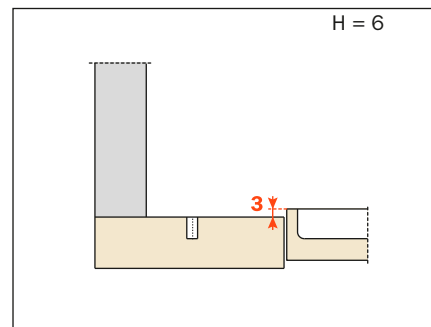
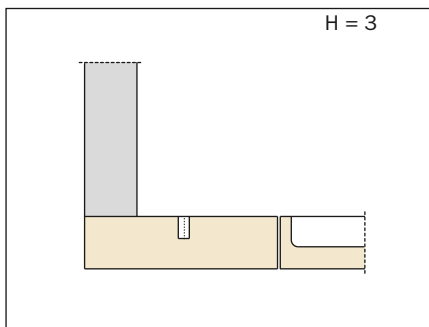
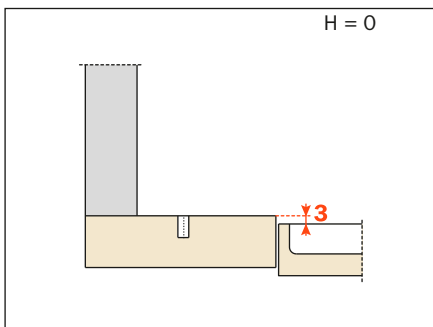


### C7\_6NE9AC

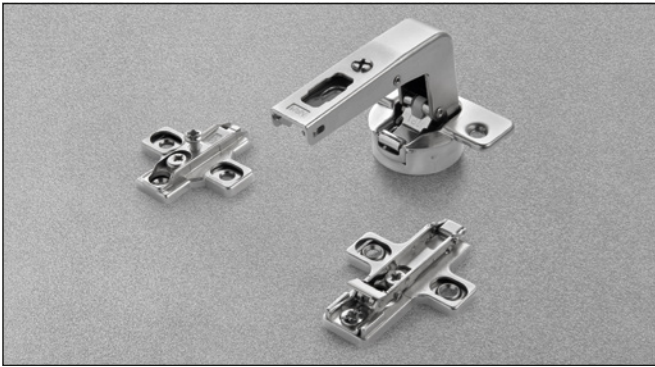
#### E min:

- 61 mm for Series 200 mounting plates.
- 70 mm for Domi snap-on mounting plates.
- 74 mm for Domi snap-on mounting plates with back cam.

Heights of mounting plates for every assembly.



**Silentia** • Series 700 • Complementary hinges



**Technical information**

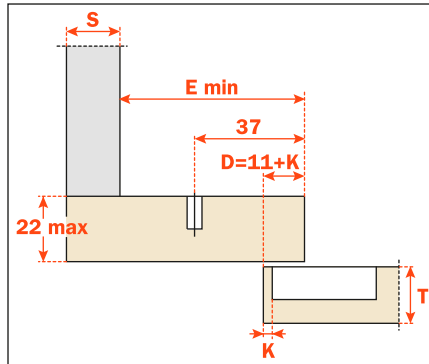
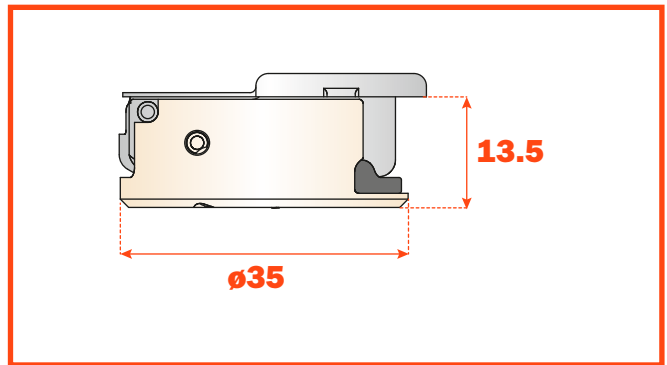
Hinges with adjustable integrated soft-close mechanism operated by twin silicone-oil dampers housed in the hinge cup. The decelerating effect is adjusted by using a simple switch.

**Long crampton hinges.**  
**Hinges for min. 16 mm thick doors.**  
**13.5 mm deep cup.**  
 110° opening.

Possible drilling distance on the door (K): from 3 to 6 m.  
 Compatible with all traditional Series 200 mounting plates and with all Domi snap-on mounting plates.

**Packing** • Boxes 150 pcs. • Pallets 3.600 pcs.

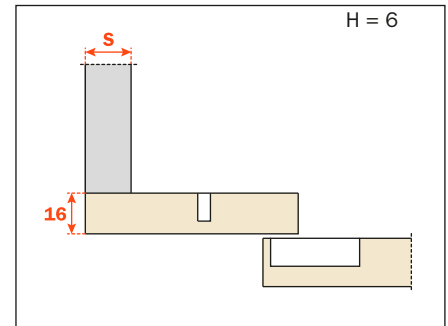
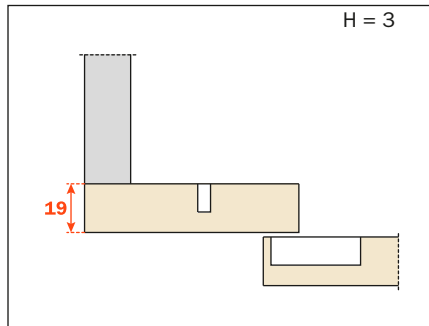
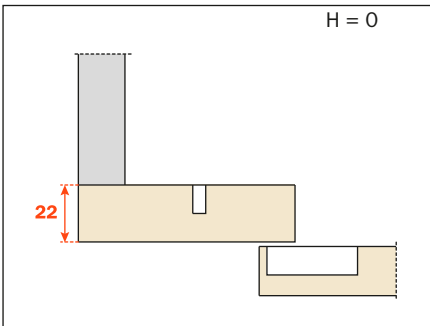
Use the tables "Drillings and fixings" at page 37 to complete the code number of the desired hinge.



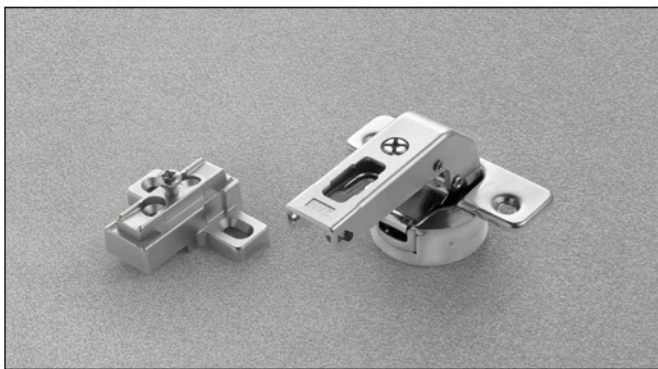
**C7\_6NE9AM**

**E min:**  
 • 61 mm for Series 200 mounting plates.  
 • 70 mm for Domi snap-on mounting plates.  
 • 74 mm for Domi snap-on mounting plates with back cam.

Heights of mounting plates for every assembly.







### Technical information

**Hinges with adjustable integrated soft-close mechanism operated by twin silicone-oil dampers housed in the hinge cup. The decelerating effect is adjusted by using a simple switch.**

**Crampon hinges.**

**For smaller spaces with 15x32 mm drilling.**

**Hinges for min. 16 mm thick doors.**

**13.5 mm deep cup.**

110° opening.

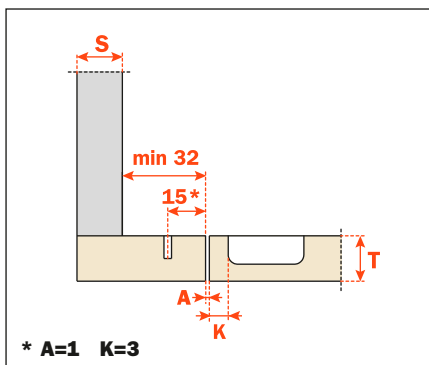
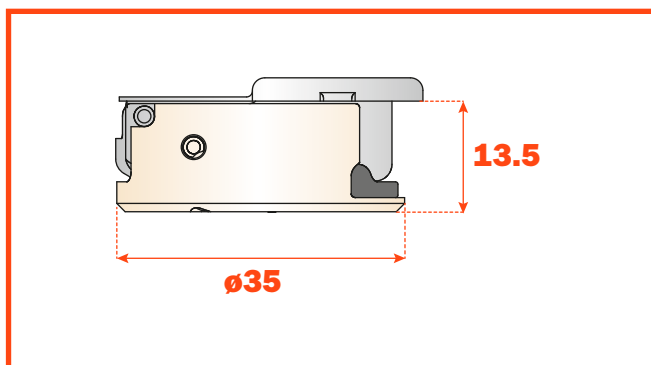
Possible drilling distance on the door (K): from 3 to 6 mm.

Compatible with all traditional Series 200 mounting plates, 28x32 mm drilling.

**NOT COMPATIBLE** with Domi snap-on mounting plates.

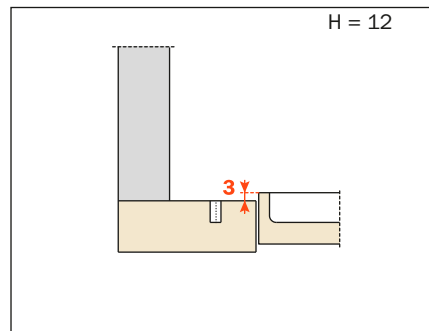
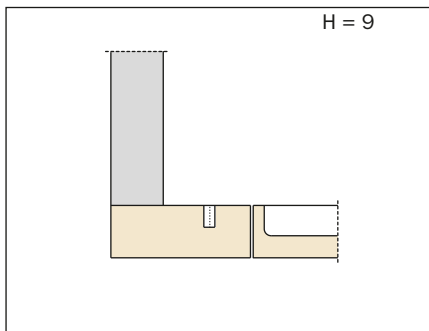
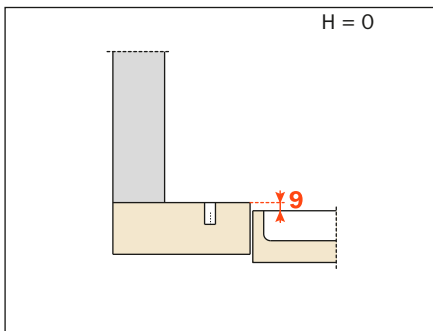
**Packing** • Boxes 150 pcs. • Pallets 3.600 pcs.

Use the tables "Drillings and fixings" at page 37 to complete the code number of the desired hinge.



**C7\_6NE9**

Heights of mounting plates for every assembly.

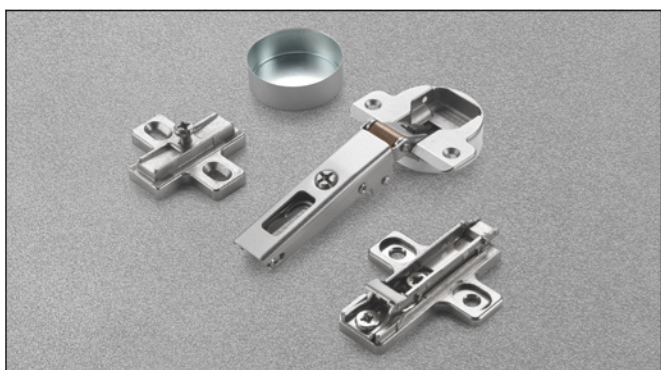






**Silentia+** • For metal profiles

**Silentia** • For metal profiles



**Technical information**

**Hinges with adjustable integrated soft-close mechanism operated by twin silicone-oil dampers housed in the hinge cup. The decelerating effect is adjusted by using a simple switch.**

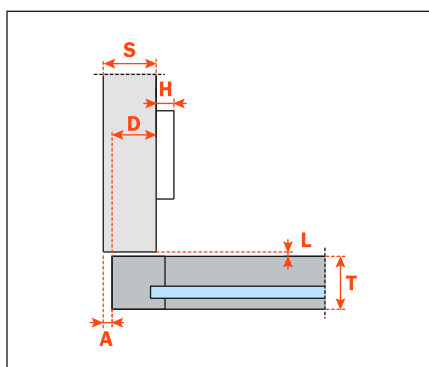
**Hinges specially developed for use with metal profiles.** 105° opening.

We recommend the use of countersunk flat head self tapping screws  $\varnothing 2.9 \times 6.5$  UNI 6955 DIN 7982 to fix C1Z6 hinges.

Compatible with all traditional Series 200 mounting plates and with all Domi snap-on mounting plates.

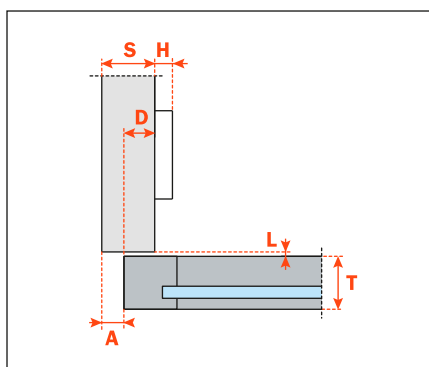
**Packing** • Boxes 150 pcs. • Pallets 3.600 pcs.

Arm 0



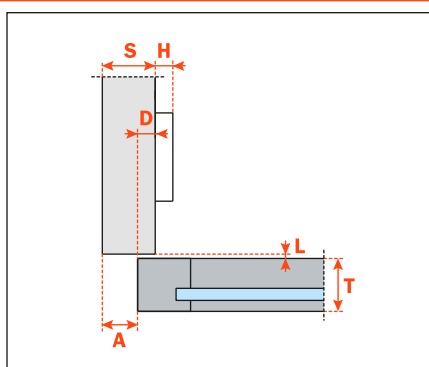
**C1Z6AE9**

Arm 5



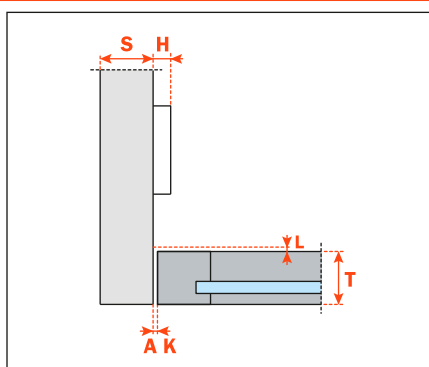
**C1Z6DE9**

Arm 9



**C1Z6GE9**

Arm 17



**C1Z6PE9**

## Complementary hinges



### Technical information

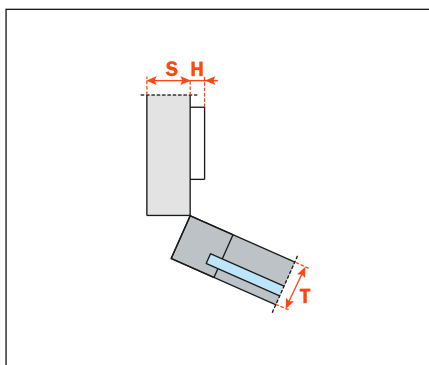
**Hinges with adjustable integrated soft-close mechanism operated by twin silicone-oil dampers housed in the hinge cup. The decelerating effect is adjusted by using a simple switch.**

**For doors with positive angled assembly. Hinges specially developed for use with metal profiles. 105° opening.**

We recommend the use of countersunk flat head self tapping screws  $\varnothing 2.9 \times 6.5$  UNI 6955 DIN 7982 to fix C1Z6 hinges. Compatible with all traditional Series 200 mounting plates and with all Domi snap-on mounting plates.

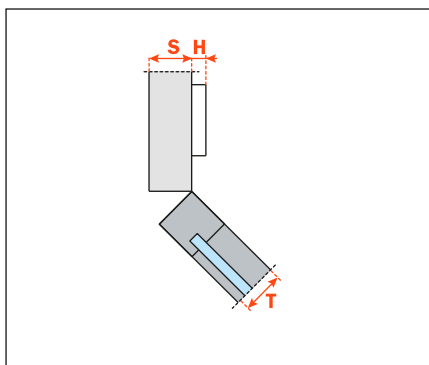
**Packing** • Boxes 150 pcs. • Pallets 3.600 pcs.

Arm 30°



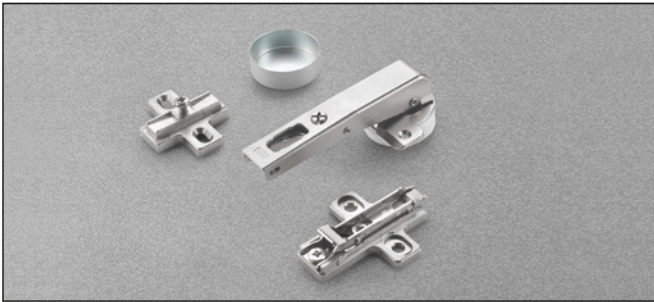
**C1Z6EE9**

Arm 45°



**C1Z6ME9**

**Silentia** • For metal profiles • Complementary hinges



**Technical information**

**Hinges with adjustable integrated soft-close mechanism operated by twin silicone-oil dampers housed in the hinge cup. The decelerating effect is adjusted by using a simple switch.**

**Crampon hinges.**

**For cabinet sides with 37x32 mm standard drilling.**

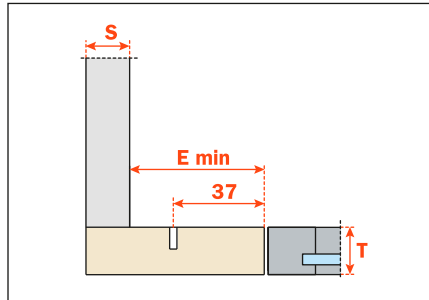
**Hinges specially developed for use with metal profiles.**

105° opening.

We recommend the use of countersunk flat head self tapping screws  $\varnothing$  2.9x6.5 UNI 6955 DIN 7982 to fix C1Z6 hinges.

Compatible with all traditional Series 200 mounting plates and with all Domi snap-on mounting plates.

**Packing** • Boxes 150 pcs. • Pallets 3.600 pcs.



**C1Z6NE9AC**

**E min:**

- 61 mm for Series 200 mounting plates.
- 70 mm for Domi snap-on mounting plates.
- 74 mm for Domi snap-on mounting plates with back cam.



**Technical information**

**Hinges with adjustable integrated soft-close mechanism operated by twin silicone-oil dampers housed in the hinge cup. The decelerating effect is adjusted by using a simple switch.**

**Crampon hinges.**

**For smaller spaces with 15x32 mm drilling.**

**Hinges specially developed for use with metal profiles.**

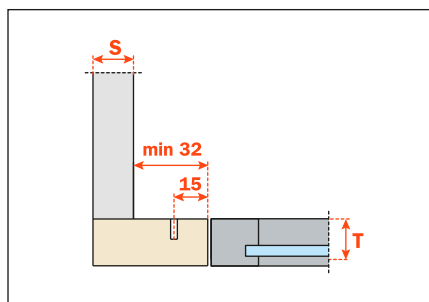
105° opening.

We recommend the use of countersunk flat head self tapping screws  $\varnothing$  2.9 x 6.5 UNI 6955 DIN 7982 to fix C1Z6 hinges.

Compatible with all traditional Series 200 mounting plates, drilling 28x32 mm.

**NOT COMPATIBLE** with Domi snap-on mounting plates.

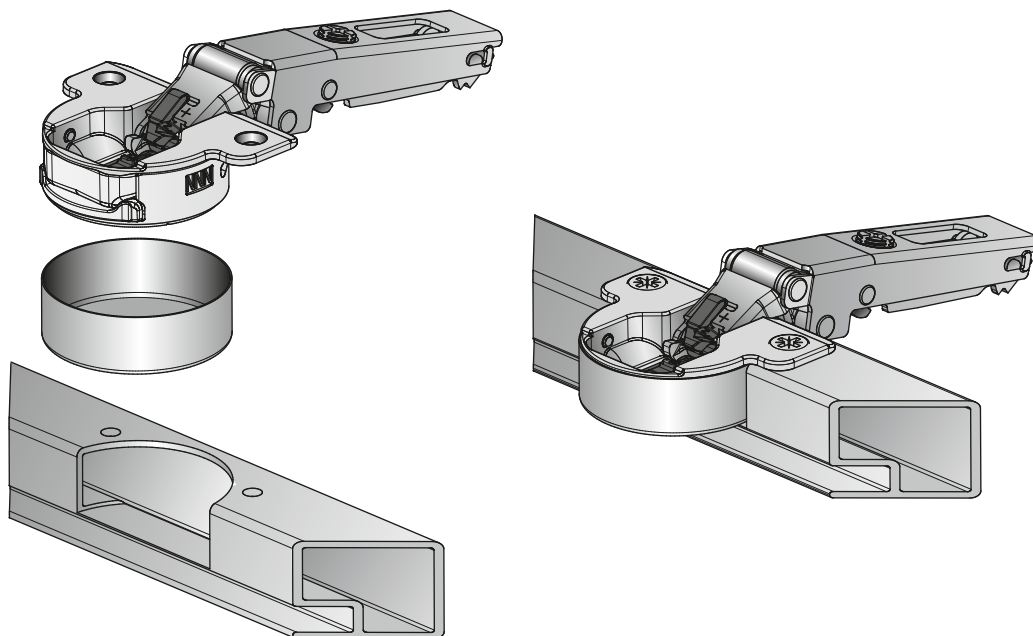
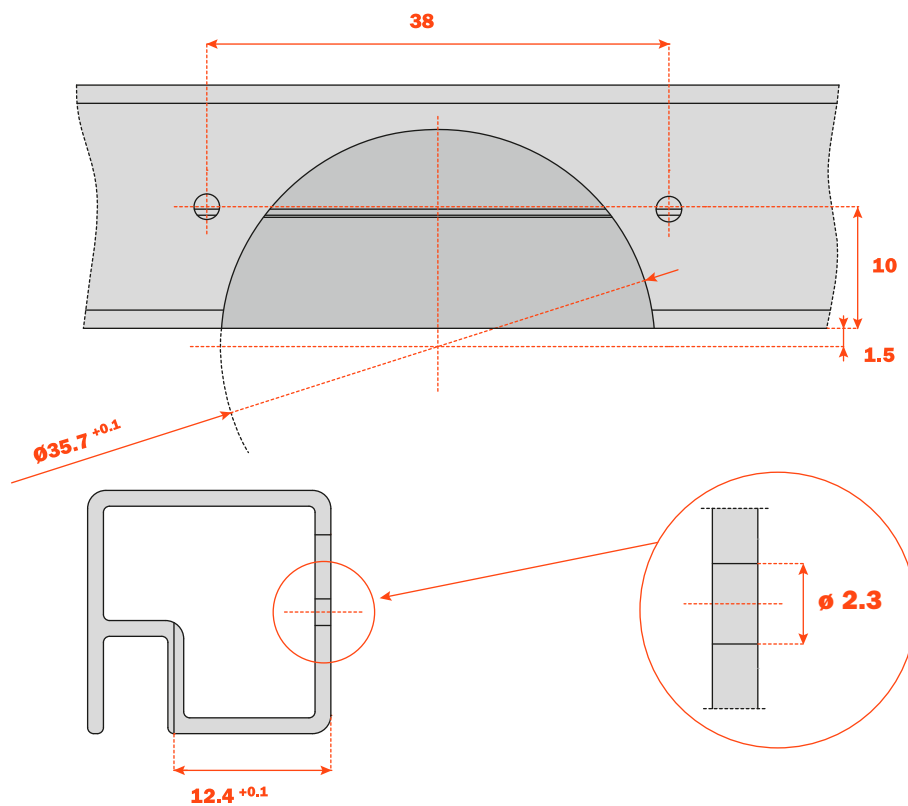
**Packing** • Boxes 150 pcs. • Pallets 3.600 pcs.



**C1Z6NE9**

### Drilling of the metal profile

Countersunk flat head self tapping screws  $\varnothing 2.9 \times 6.5$  UNI 6955 - DIN 7982



### D1Z6HSK

Fancy cover for hinge  
(should be ordered separately)







**Silentia+** • **Series 800**

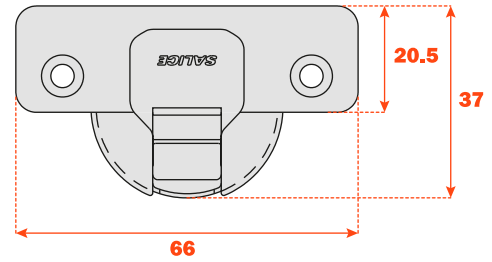
**Silentia** • Series 800

Hinges with adjustable integrated soft-close mechanism operated by twin silicone-oil dampers housed in the hinge cup.

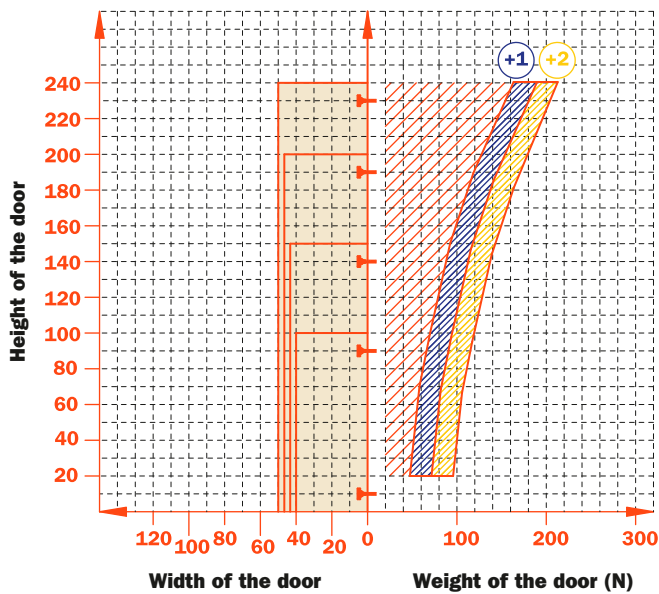
The decelerating effect is adjusted by using a simple switch.

Bright nickel plated steel cup and arm.  
Dimensions of the Ø 35 mm cup.

**Technical features**



Approx. number of hinges required according to the door dimension and weight.



**Adjustments**

Side adjustment from -1.5 mm to +4.5 mm.  
Height adjustment ±2 mm.  
Depth adjustment from -1.5 mm to +3 mm.

**Mounting plates**

Symmetrical and asymmetrical bright nickel plated steel Series 200 mounting plates.  
**NOT COMPATIBLE** with Series 200 mounting plates with negative height.

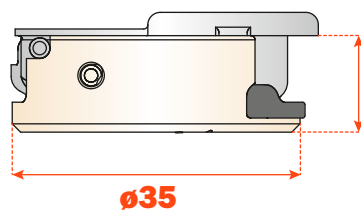
N.B. : Use POZIDRIVE No. 2 screwdrivers for all screws.

## Drillings and fixings

	<p>48  <math>\varnothing 35</math>          6  <b>105°</b></p>	<p>45  <math>\varnothing 35</math>          9.5  <b>105°</b></p>	<p>52  <math>\varnothing 35</math>          5.5  <b>105°</b></p>
<b>Wood screw</b> 	<b>A</b>	<b>P</b>	<b>U</b>
	<p>48  <math>\varnothing 35</math>  <math>\varnothing 10</math>          6  <b>105°</b></p>	<p>45  <math>\varnothing 35</math>  <math>\varnothing 8</math>          9.5  <b>105°</b></p>	<p>52  <math>\varnothing 35</math>  <math>\varnothing 10</math>          5.5  <b>105°</b></p>
<b>Rapido</b> 	<b>6</b>	<b>7</b>	<b>2</b>
<b>Dowel</b> 	<b>B</b>	<b>R</b>	<b>W</b>

Use this table to identify the available drillings and fixings.  
 Fill the third position of the hinge code number with the letter or the number corresponding to your choice. I.e.: C8\_6CE9.

↑  
 Fill this position with the chosen letter or number.



**105° opening**

**Silentia** • Series 800 • 105° opening



**Technical information**

Hinges with adjustable integrated soft-close mechanism operated by twin silicone-oil dampers housed in the hinge cup. The decelerating effect is adjusted by using a simple switch.

Hinges for doors of small weight and thickness.

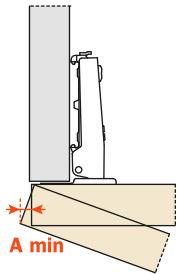
12 mm deep cup.

105° opening.

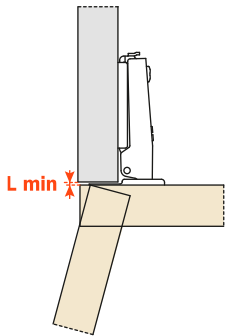
Possible drilling distance on the door (K): from 3 to 6 mm.

Compatible with all traditional steel Series 200 mounting plates.

**Space needed to open the door**



	T=	15	16	17	18	19	20
K=3	<b>A=</b>	1.0	1.0	1.2	1.4	1.6	1.9
K=4	<b>A=</b>	0.9	1.0	1.2	1.3	1.5	1.8
K=5	<b>A=</b>	0.9	1.0	1.1	1.2	1.5	1.8
K=6	<b>A=</b>	0.9	1.0	1.1	1.2	1.4	1.7

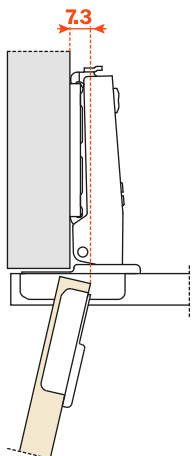


	T=	15	16	17	18	19	20
K=3	<b>L=</b>	0.0	0.0	0.0	0.0	0.1	0.3
K=4	<b>L=</b>	0.4	0.6	0.7	0.9	1.1	1.2
K=5	<b>L=</b>	1.0	1.0	1.2	1.8	2.0	2.0
K=6	<b>L=</b>	1.6	1.8	2.0	2.1	2.3	2.5

The above values are calculated on the assumption that the doors have square edges. They are reduced if the doors have radiussed edges.

**Projection of the door**

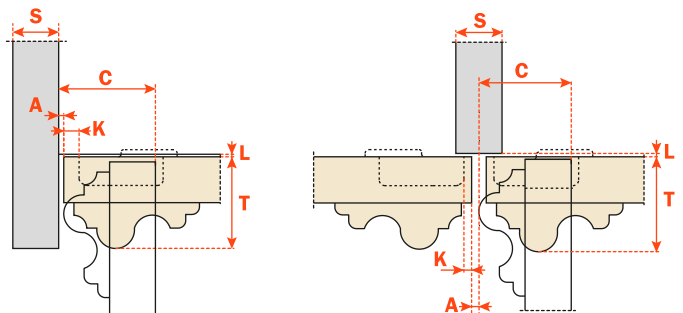
Projection of the door from the cabinet side at the max. opening. The figures are based on a straight arm hinge, H=0 mm thickness of mounting plate and K value = 3 mm.



**“C” value**

With this formula you can obtain the max. thickness of the moulded door that can be opened without touching adjacent carcass sides, doors or walls, whilst bearing in mind the above L · K · T values.

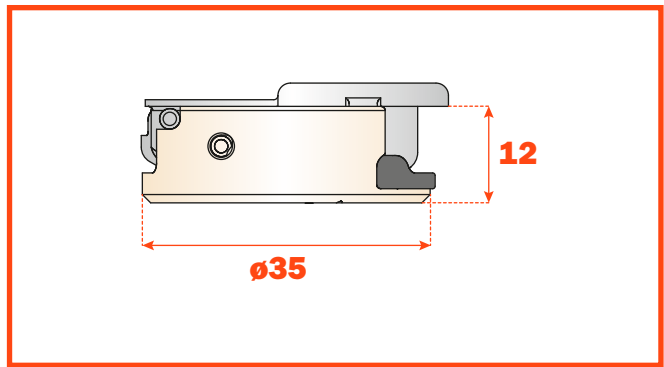
$$C = 20.5 + K + A$$



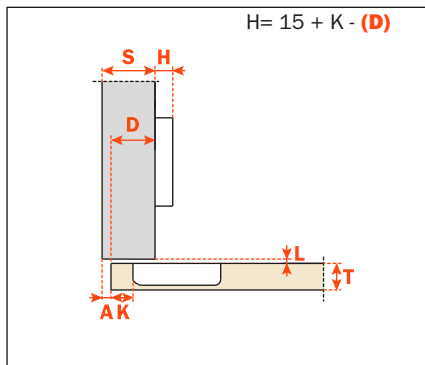
**Packing** • Boxes 300 pcs. • Pallets 7.200 pcs.

Use these formulas to determine the type of hinge arm, the drilling distance "K" and the height of the mounting plate "H" which is necessary to solve each application problem.

Use the tables "Drillings and fixings" at page 59 to complete the code number of the desired hinge.

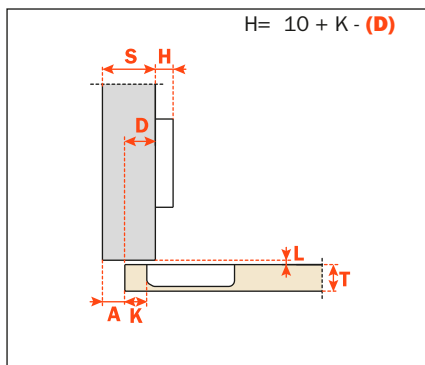


Arm 0



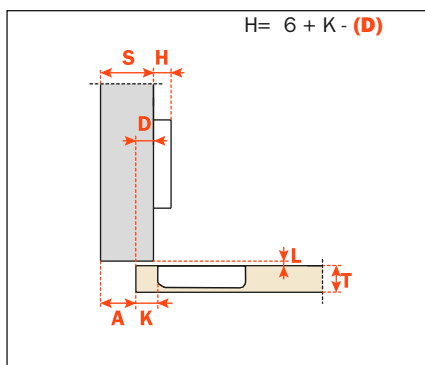
**C8\_6CE9**

Arm 5



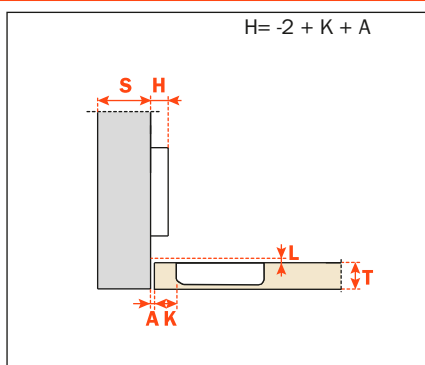
**C8\_6JE9**

Arm 9



**C8\_6LE9**

Arm 17



**C8\_6SE9**





**Silentia+** • **Series 900**

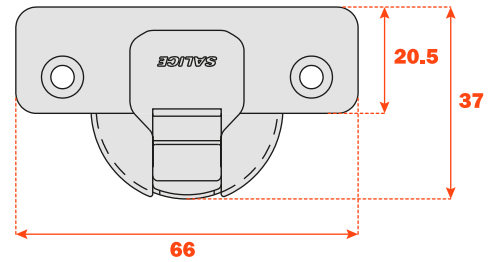
**Silentia** • Series 900

Hinges with adjustable integrated soft-close mechanism operated by twin silicone-oil dampers housed in the hinge cup.

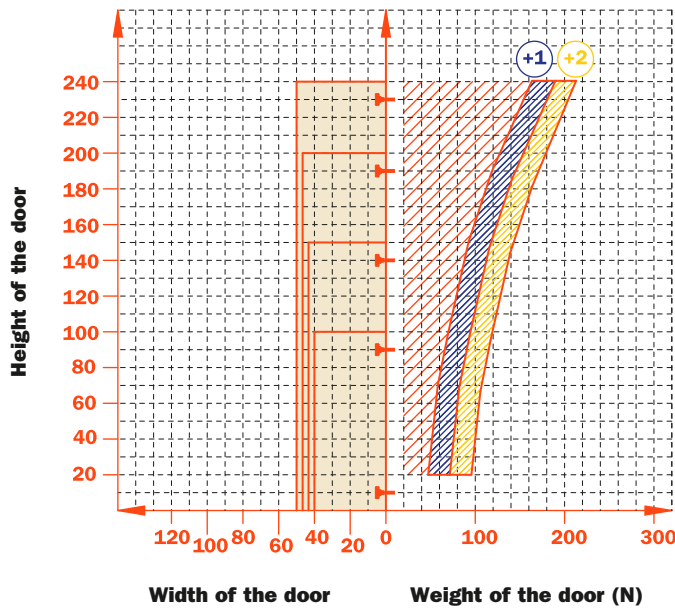
The decelerating effect is adjusted by using a simple switch.

Bright nickel plated steel cup and arm.  
Dimensions of the Ø 35 mm cup.

**Technical features**



Approx. number of hinges required according to the door dimension and weight.



**Adjustments**

Side adjustment from -1.5 mm to +4 mm.  
Height adjustment ±2 mm.  
Depth adjustment +2.5 mm.

**Mounting plates**

Symmetrical and asymmetrical bright nickel plated steel or die-cast Series 200 mounting plates.  
**NOT COMPATIBLE** with Series 200 mounting plates with negative height.

N.B. : Use POZIDRIVE No. 2 screwdrivers for all screws.

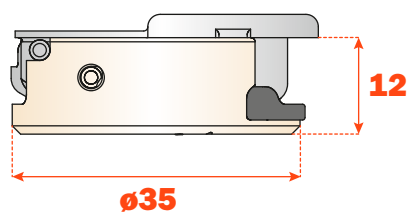


**Drillings and fixings**

<b>Wood screw</b> 	<b>A</b>	<b>P</b>	<b>U</b>
<b>Rapido</b> 	<b>6</b>	<b>7</b>	<b>2</b>
<b>Dowel</b> 	<b>B</b>	<b>R</b>	<b>W</b>

**Use this table to identify the available drillings and fixings.  
Fill the third position of the hinge code number with the letter or the number corresponding to your choice. I.e.: C9\_6CE9.**

↑  
Fill this position with the chosen letter or number.



**105° opening**

**Silentia** • Series 900 • 105° opening



**Technical information**

Hinges with adjustable integrated soft-close mechanism operated by twin silicone-oil dampers housed in the hinge cup. The decelerating effect is adjusted by using a simple switch.

Hinges for doors of small weight and thickness.

12 mm deep cup.

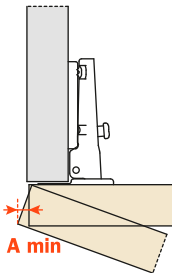
105° opening.

Possible drilling distance on the door (K): from 3 to 6 mm.

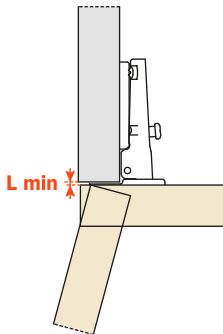
Compatible with all traditional Series 200 mounting plates.

**NOT COMPATIBLE** with Domi snap-on mounting plates.

**Space needed to open the door**



	T=	15	16	17	18	19	20
K=3	<b>A=</b>	1.0	1.0	1.2	1.4	1.6	1.9
K=4	<b>A=</b>	0.9	1.0	1.2	1.3	1.5	1.8
K=5	<b>A=</b>	0.9	1.0	1.1	1.2	1.5	1.8
K=6	<b>A=</b>	0.9	1.0	1.1	1.2	1.4	1.7

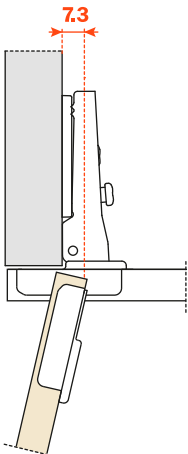


	T=	15	16	17	18	19	20
K=3	<b>L=</b>	0.0	0.0	0.0	0.0	0.1	0.3
K=4	<b>L=</b>	0.4	0.6	0.7	0.9	1.1	1.2
K=5	<b>L=</b>	1.0	1.0	1.2	1.8	2.0	2.0
K=6	<b>L=</b>	1.6	1.8	2.0	2.1	2.3	2.5

The above values are calculated on the assumption that the doors have square edges. They are reduced if the doors have radiussed edges.

**Projection of the door**

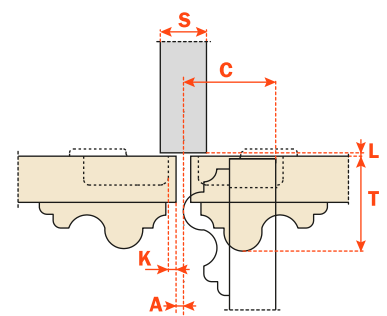
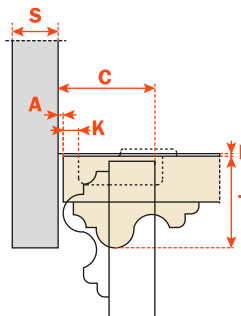
Projection of the door from the cabinet side at the max. opening. The figures are based on a straight arm hinge, H=0 mm thickness of mounting plate and K value = 3 mm.



**“C” value**

With this formula you can obtain the max. thickness of the moulded door that can be opened without touching adjacent carcass sides, doors or walls, whilst bearing in mind the above L · K · T values.

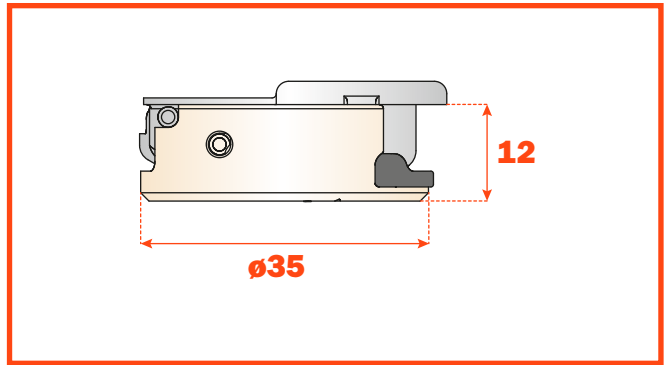
$$C = 20.5 + K + A$$



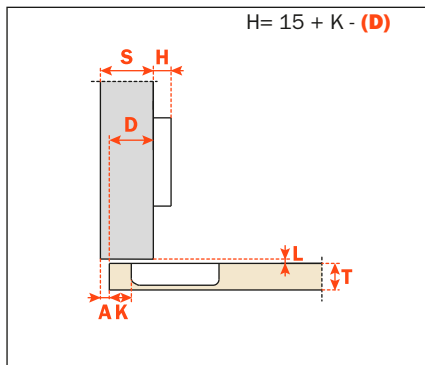
**Packing** • Boxes 300 pcs. • Pallets 7.200 pcs.

Use these formulas to determine the type of hinge arm, the drilling distance "K" and the height of the mounting plate "H" which is necessary to solve each application problem.

Use the tables "Drillings and fixings" at page 65 to complete the code number of the desired hinge.

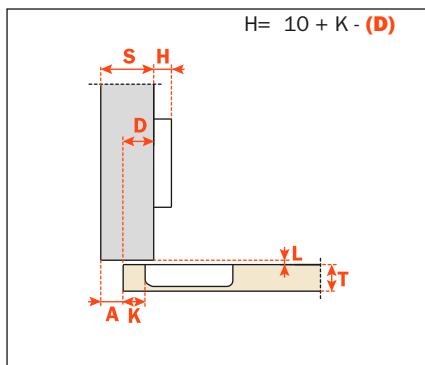


Arm 0



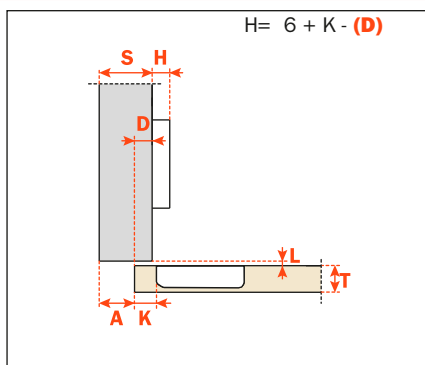
**C9\_6CE9**

Arm 5



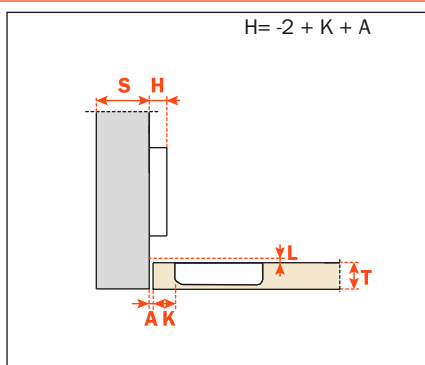
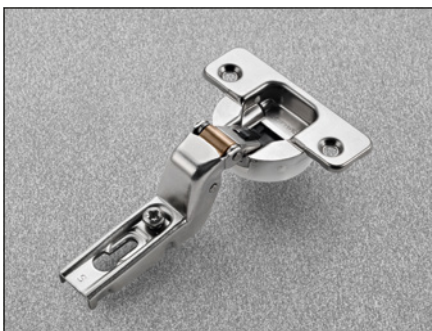
**C9\_6JE9**

Arm 9



**C9\_6LE9**

Arm 17



**C9\_6SE9**





## Accessories

## Silentia Accessories

### Screw cover caps.

#### S2BX83H9



Symmetrical steel screw cover cap, it can be personalised on request.

For Series 100, 200 and 700 hinges.

#### S2MX83H9



Symmetrical steel screw cover cap with embossed logo.

For Series 100, 200 and 700 hinges.

#### S8XX83H9



Symmetrical steel screw cover cap, it can be personalised on request.

For Series 800 hinges.

#### S8CX83H9



Symmetrical steel screw cover cap with embossed logo.

For Series 800 hinges.

#### S9XX83H9



Steel symmetrical screw cover cap, it can be personalised on request.

For Series 900 hinges and complementary hinges Series 200 and 700.

#### S9CX83H9



Symmetrical steel screw cover cap with embossed logo.

For Series 900 hinges and complementary hinges Series 200 and 700.

## Flange cover caps.

### S2XX85H9



Steel flange cover cap, it can be personalised on request.

For all Series 100, 200, 300, 700, 800 and 900.

### S2CX85H9



Steel flange cover cap with embossed logo.

For all Series 100, 200, 300, 700, 800 and 900.

---

## Spacers, gauge and fancy cover for Silentia hinges.

### S2XF86



Spacer to reduce the drilling depth for 155° hinges.

**S2XF86BT** = 0.6 mm  
**S2XF86AT** = 1.2 mm  
**S2XF86KT** = 1.8 mm

### S2XX86



Spacer to reduce the drilling depth for 94°, 105° and 110° hinges.

**S2XX86BT** = 0.6 mm  
**S2XX86AT** = 1.2 mm  
**S2XX86KT** = 1.8 mm

### D\_A\_AC\_SN



Gauge to check the diameter and the depth of the drilling.

**D1A6AC3SN** = 12 mm  
**D2ABACGSN** = 15.5 mm  
**D7A6ACYSN** = 13.5 mm

### D1Z6HSK



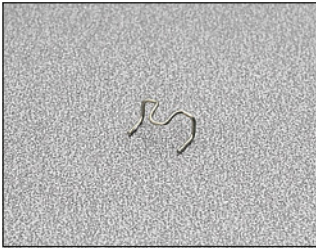
Fancy cover for metal profiles hinges.

**Silentia** Accessories

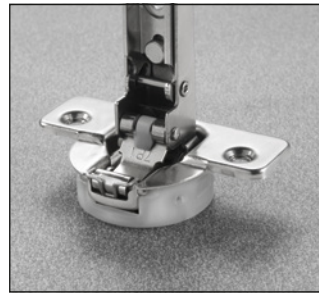
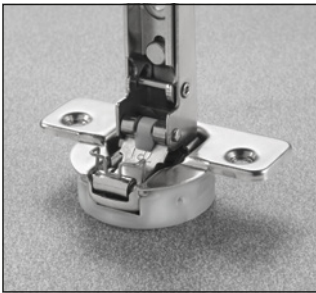
**Stop devices.**

**S2A637XF**

For all hinges for thicker doors, it limits opening at about 86°.

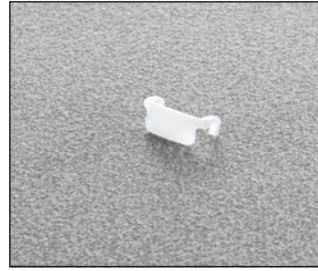


For 94° hinges, it limits opening at about 86°.

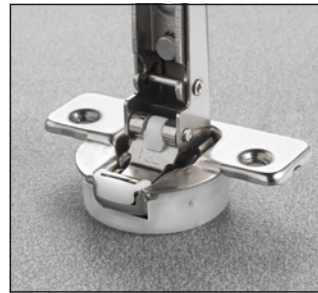


**S1E637XY**

For all Series 100 and 700 hinges, it limits opening at about 86°.

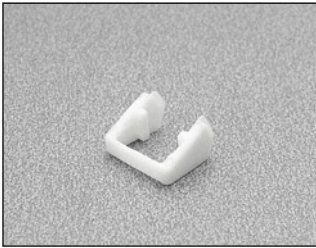


For 105° and 155° hinges, it limits opening at about 86°.

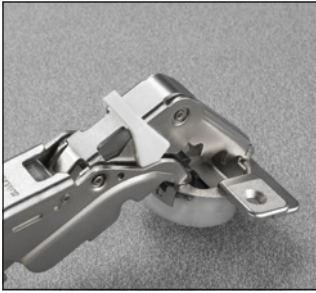


**S2BF37XY**

For 155° hinges, it limits opening at 130°.

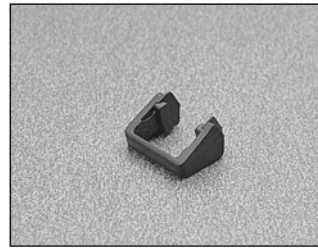


For 155° hinges, it limits opening at about 130°.



**S2AF37X3**

For 155° hinges, it limits opening at 135°.

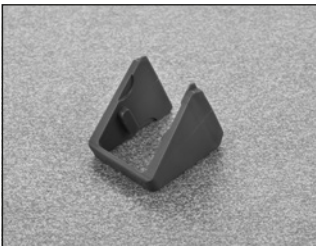


For 155° hinges, it limits opening at about 135°.



**S2BM37XG**

For 155° hinges, it limits opening at 92°.

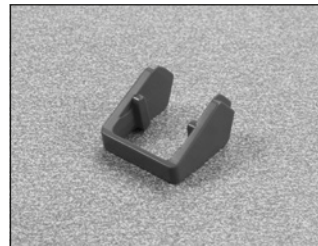


For 155° hinges, it limits opening at about 92°.



**S2AM37XG**

For 155° hinges, it limits opening at 120°.



For 155° hinges, it limits opening at about 120°.











## **ARTURO SALICE S.p.A.**

VIA PROVINCIALE NOVEDRATESE, 10  
22060 NOVEDRATE (COMO) ITALIA  
TEL. 031 790424 - FAX 031 791508  
info.salice@salice.com - www.salice.com

### **DEUTSCHE SALICE GMBH**

RUDOLF DIESEL STR. 10  
POSTFACH 1154  
74382 NECKARWESTHEIM  
TEL. 07133 9807-0  
FAX. 07133 9807-16  
info.salice@deutschesalice.de  
www.salice.com

### **DEUTSCHE SALICE GMBH**

VERKAUFSBÜRO NORD  
RINGSTRASSE 36/A30 CENTER  
32584 LÖHNE  
TEL. 05731 15608-0  
FAX. 05731 15608-10  
vknord@deutschesalice.de  
www.salice.com

### **SALICE UK LTD.**

KINGFISHER WAY  
HINCHINGBROOKE BUSINESS PARK  
HUNTINGDON CAMBS PE 29 6FN  
TEL. 01480 413831  
FAX. 01480 451489  
info.salice@saliceuk.co.uk  
www.salice.com

### **SALICE FRANCE S.A.R.L.**

285 RUE DE GOA ZAC LES 3 MOULINS  
06600 ANTIBES  
TEL. 0493 330069  
FAX. 0493 330141  
info.salice@salicefrance.com  
www.salice.com

### **SALICE ESPAÑA, S.L.U.**

CALLE COPÉRNICO, 11  
POLÍGONO INDUSTRIAL COLL DE LA MANYA  
08403 GRANOLLERS (BARCELONA)  
TEL. 938 45 88 61  
FAX 938 49 11 97  
info.salice@saliceespana.es  
www.salice.com

### **SALICE PORTUGAL UNIP. LDA**

VIA ROTA DOS MÓVEIS I n.399  
4585-325 GANDRA-PAREDES (DISTRITO PORTO)  
TEL. 00351 224 154 221  
info@saliceportugal.pt  
www.salice.com

### **SALICE CHINA (SHANGHAI) CO. LTD.**

1st FLOOR, B1 BLDG 928 MINGZHU ROAD  
XUJING, QINGPU DISTRICT  
SHANGHAI 201702 - CHINA  
TEL. 021 3988 9880  
FAX. 021 3988 9882  
info.salice@salicechina.com  
www.salicechina.com

### **SALICE INDIA PVT. LTD.**

1001 & 1002, 10TH FLOOR,  
CENTRUM, PLOT NO. C-3,  
OPP. WAGLE PRABHAG SAMITI OFFICE,  
MIDC AREA, WAGLE INDUSTRIAL ESTATE,  
THANE - 400604, MAHARASHTRA  
TEL. 022 20812050  
info@saliceindia.com  
www.salice.com

### **SALICE CANADA INC.**

3500 RIDGEWAY DRIVE,  
UNIT#1  
MISSISSAUGA, ONTARIO, L5L 0B4  
TEL. 905 820 8787  
FAX. 905 820 7226  
info.salice@salicecanada.com  
www.salicecanada.com

### **SALICE AMERICA INC.**

2123 CROWN CENTRE DRIVE  
CHARLOTTE NC. 28227  
TEL. 704 841 7810  
FAX. 704 841 7808  
info.salice@saliceamerica.com  
www.saliceamerica.com



**Digital contents**